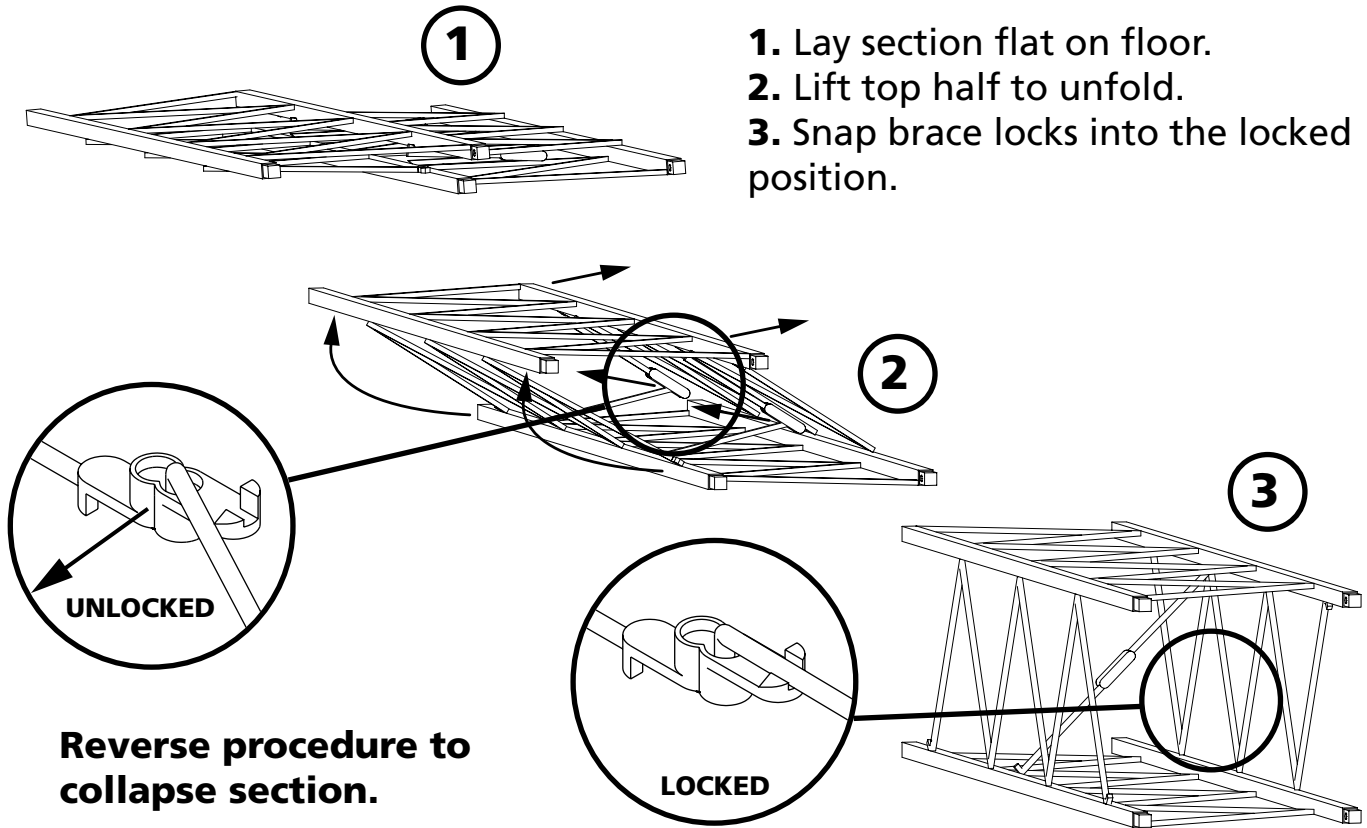
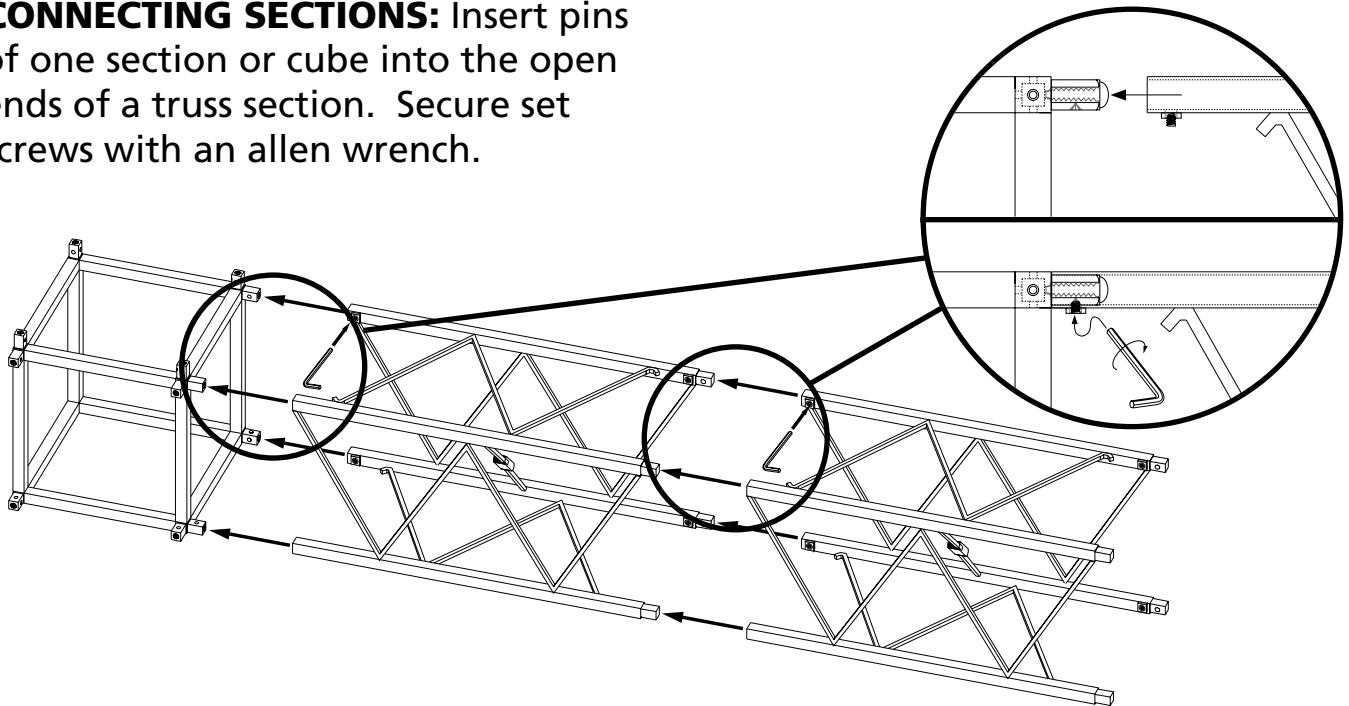


BOX SECTION ASSEMBLY



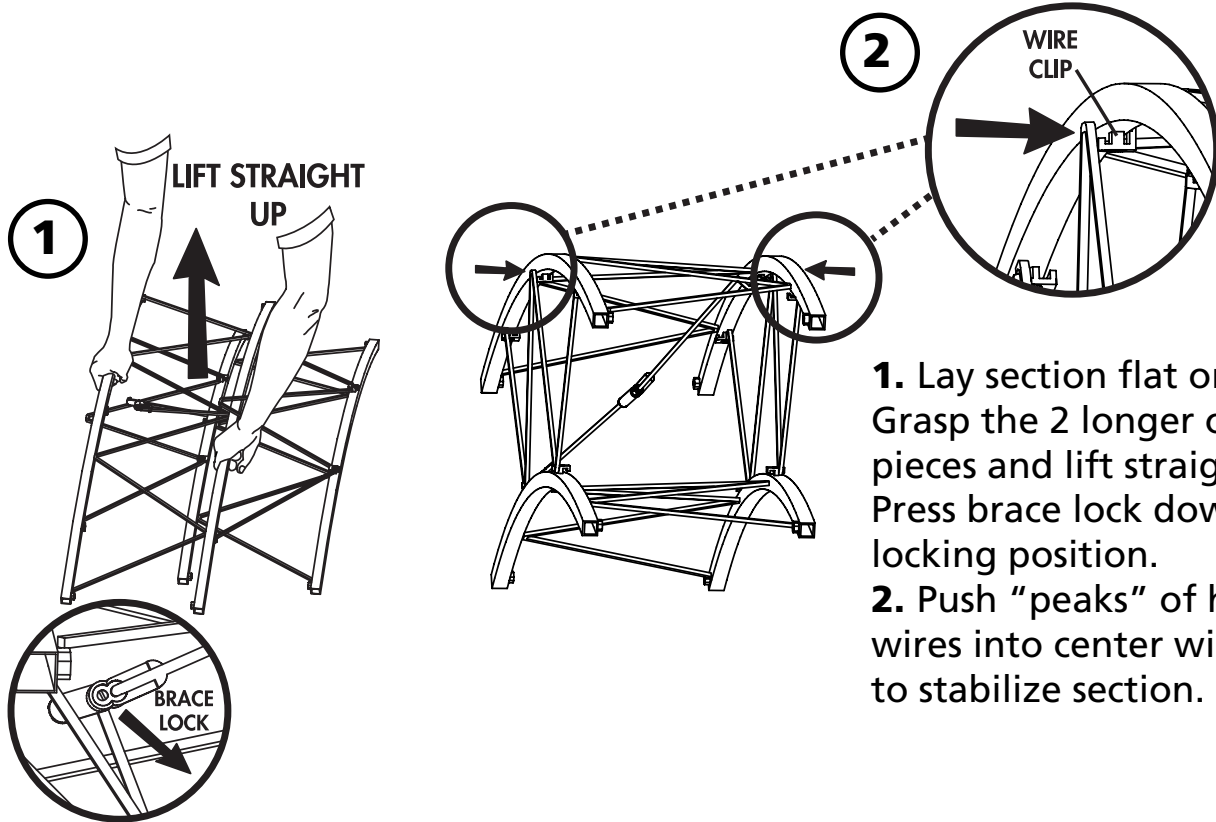
CONNECTING SECTIONS: Insert pins of one section or cube into the open ends of a truss section. Secure set screws with an allen wrench.



REPACKING:

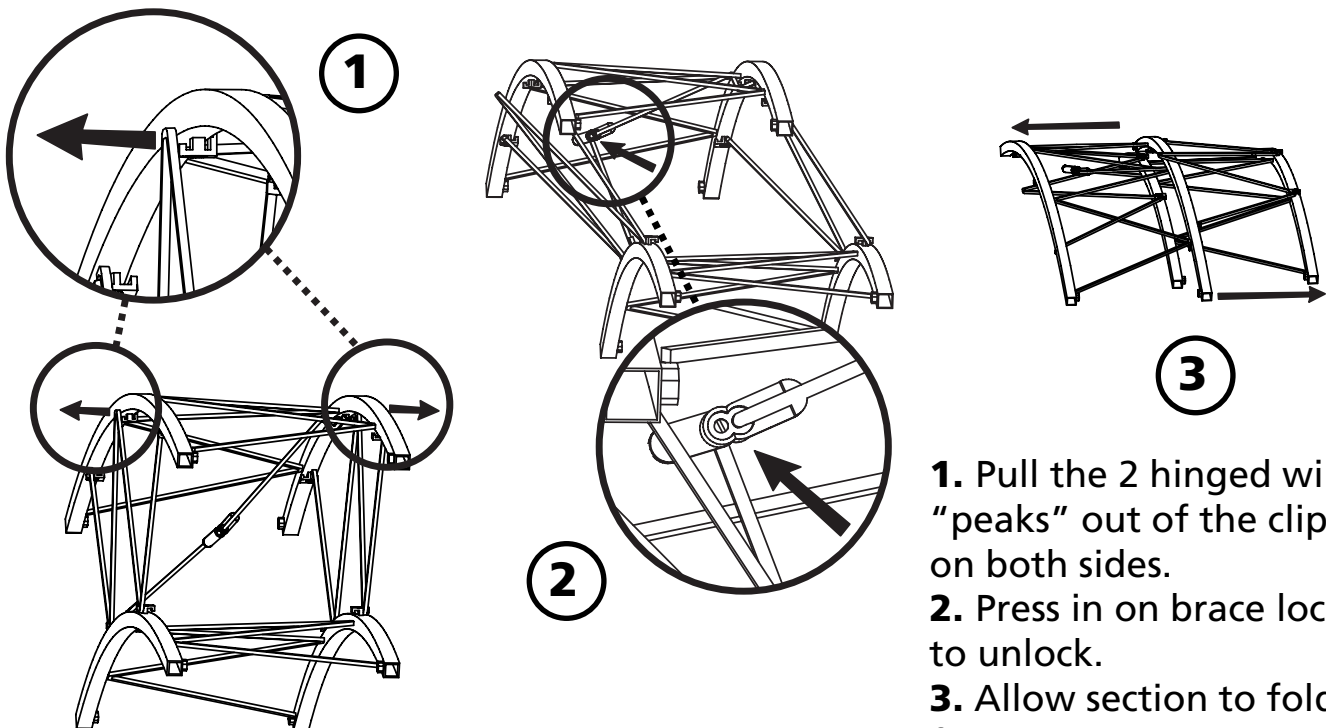
Disassemble Truss sections and remove the setscrews from each piece, storing them in a plastic bag for future use. Connector blocks can be removed from cubes for packing if desired. Collapse Truss sections by pressing on the brace lock(s) in the direction of the "Unlock" arrow. Be sure to repack Truss sections in the same manner as they were unpacked.

CURVED SECTION ASSEMBLY



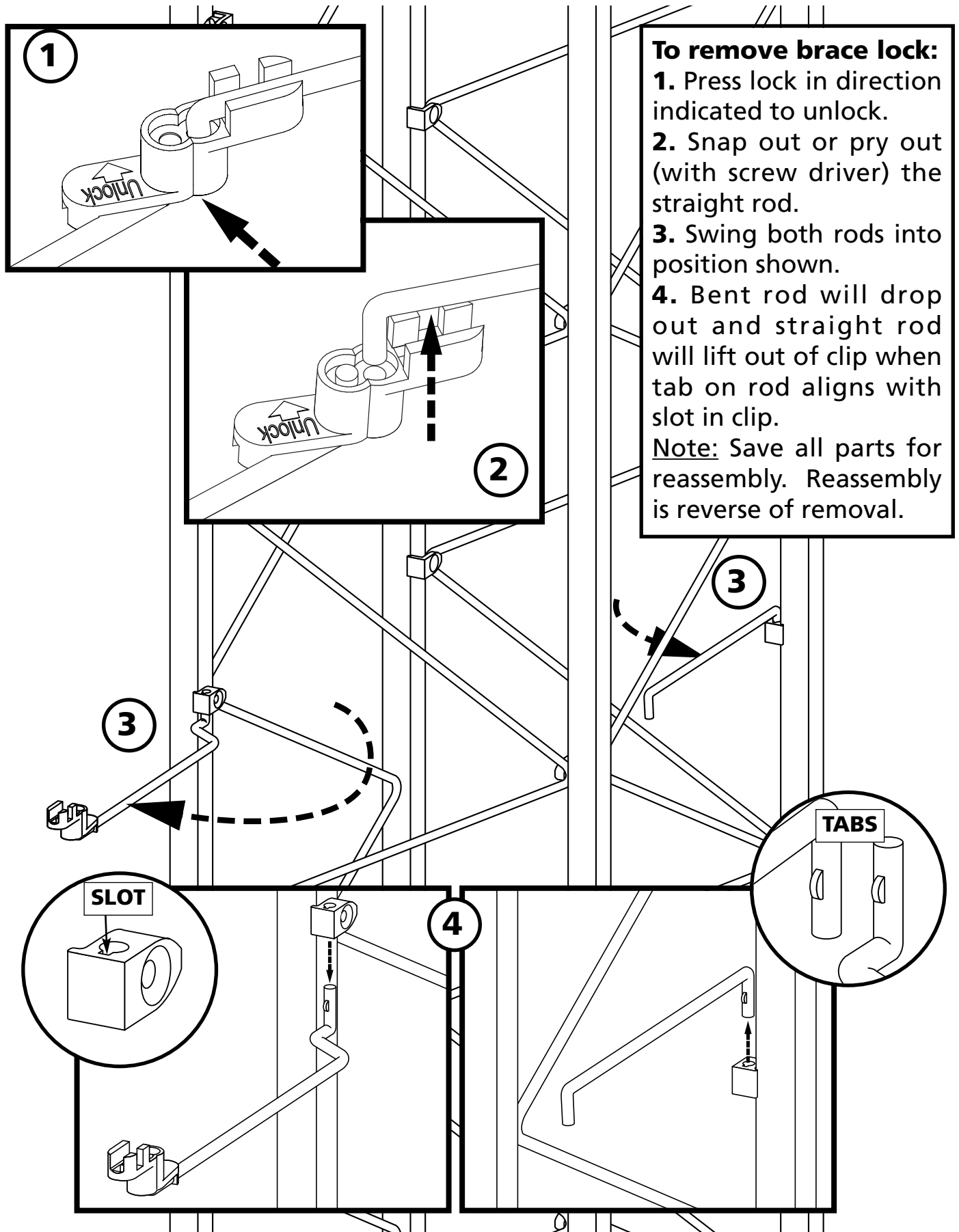
1. Lay section flat on floor. Grasp the 2 longer curved pieces and lift straight up. Press brace lock down into locking position.
2. Push "peaks" of hinged wires into center wire clips to stabilize section.

COLLAPSING CURVED SKYTRUSS™



1. Pull the 2 hinged wire "peaks" out of the clips on both sides.
2. Press in on brace lock to unlock.
3. Allow section to fold flat.

REMOVABLE BRACE LOCK



To remove brace lock:

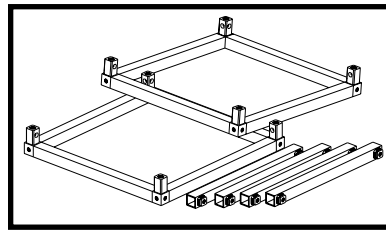
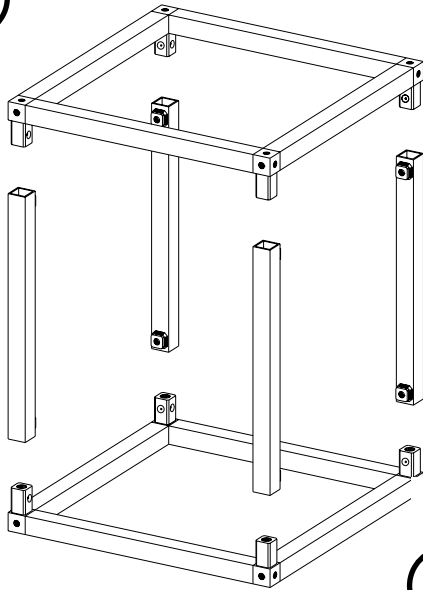
- 1.** Press lock in direction indicated to unlock.
- 2.** Snap out or pry out (with screw driver) the straight rod.
- 3.** Swing both rods into position shown.
- 4.** Bent rod will drop out and straight rod will lift out of clip when tab on rod aligns with slot in clip.

Note: Save all parts for reassembly. Reassembly is reverse of removal.

SKYTRUSS SYSTEM

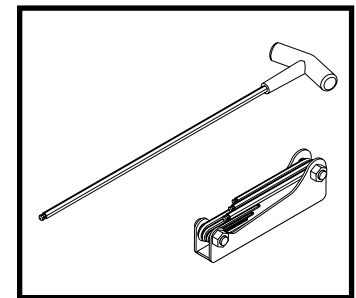
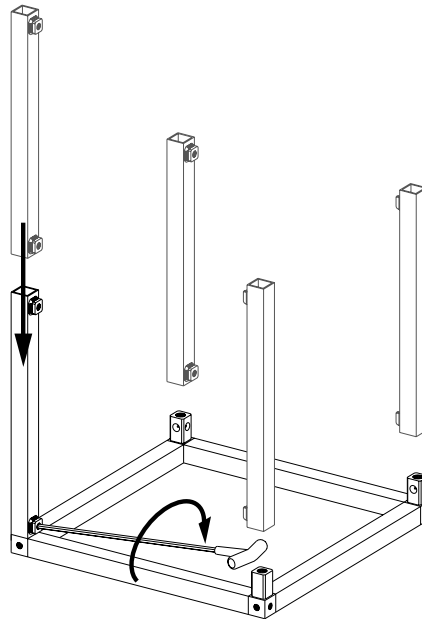
COLLAPSIBLE CUBE ASSEMBLY

1



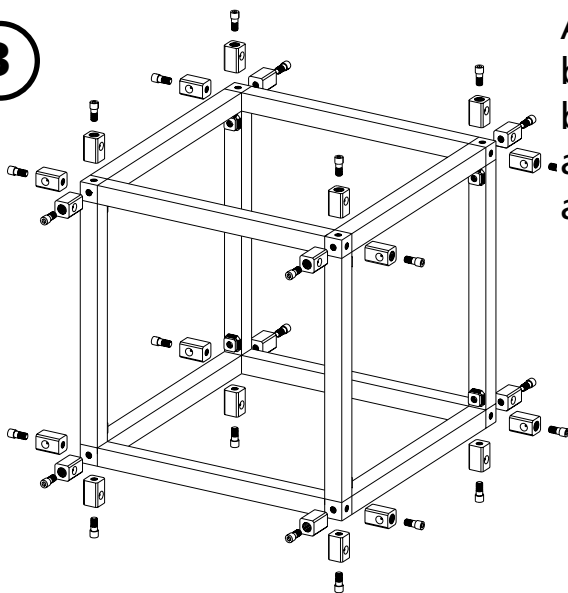
The collapsible cube consists of 4 "legs" and 2 Top/Bottom assemblies.

2

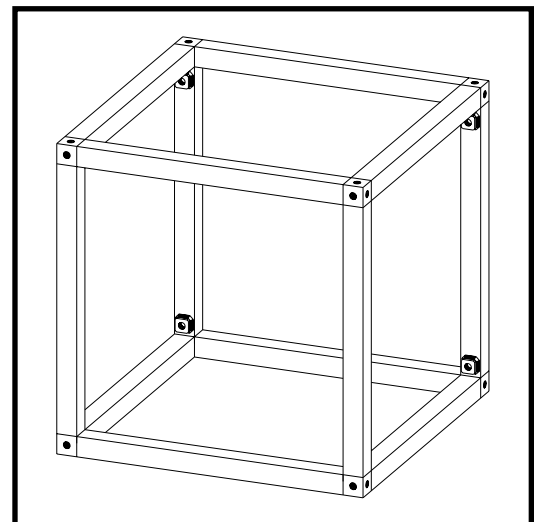


"Legs" are attached to the top and bottom sections with an Allen wrench.

3



Additional blocks may be added at any corner as needed.



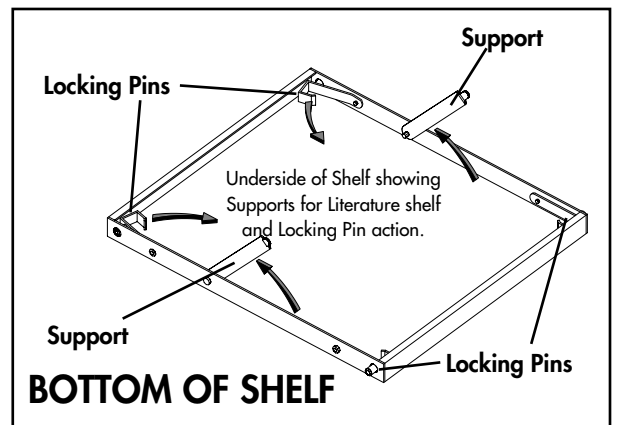
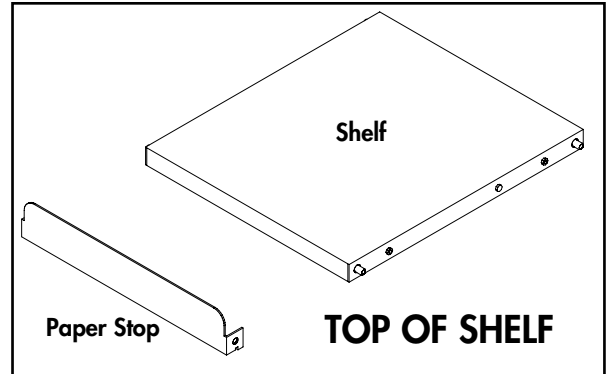
SHELF INSTALLATION

Note:

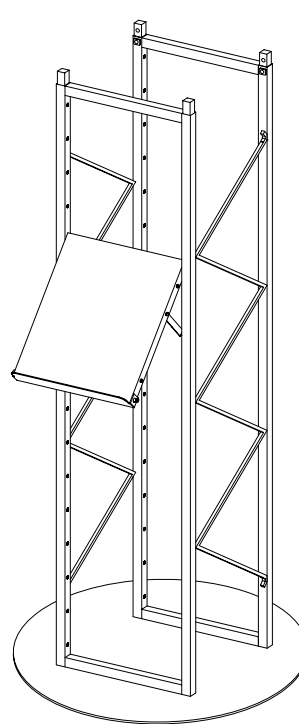
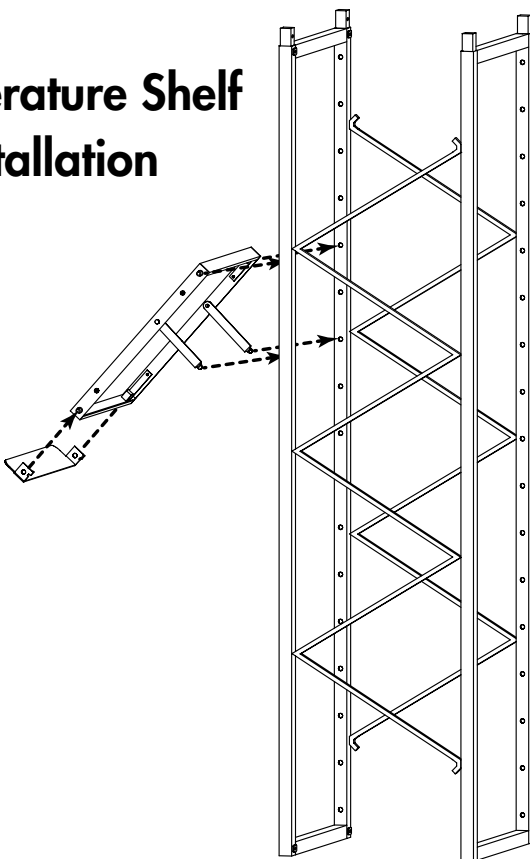
Multiple Product Shelves can be used on one shelving box section. Product shelves provide bracing to prevent the structure from collapsing.

Multiple Literature Shelves may also be used and can be positioned either inside the shelving box section or outside (as shown). Literature shelves do not provide bracing and must be used in conjunction with a baseplate, cube, or other SkyTruss™ sections.

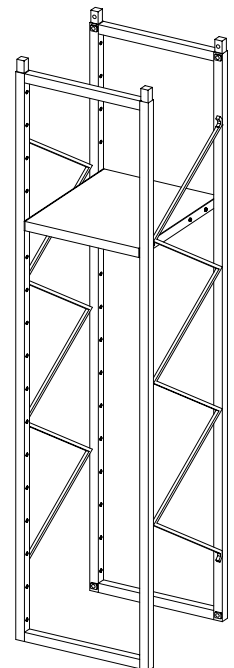
Install Shelf by pressing in on locking pins, fitting the shelf in the desired position and allowing the pins (or supports) to fit in the holes in the SkyTruss frame. To convert product shelf to Literature shelf, use the supports to angle the shelf and add the Paper Stop to the lower edge of the shelf as shown.



Literature Shelf Installation

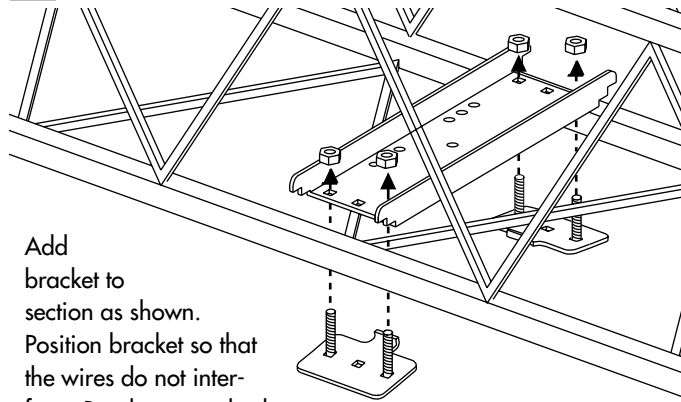


Literature Shelf



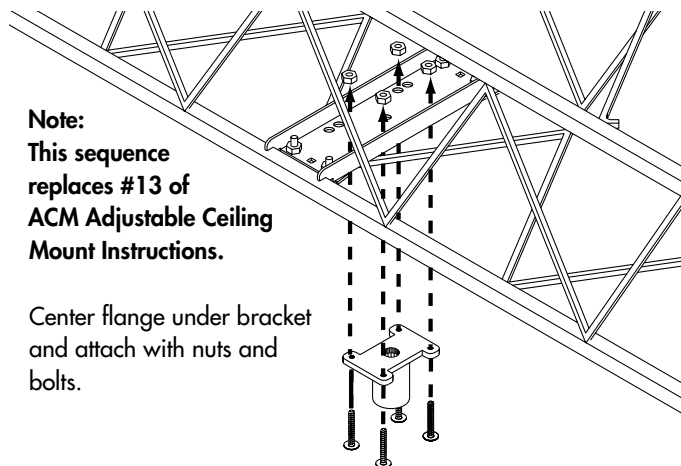
Product Shelf

1 Attaching Bracket to SkyTruss™



Add bracket to section as shown. Position bracket so that the wires do not interfere. Bracket may also be mounted on upper Truss bars at the juncture of 2 sections.

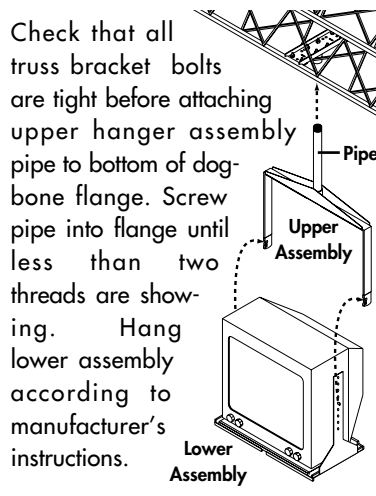
2 Mount "Dogbone" Flange to Bracket



Note:
This sequence replaces #13 of ACM Adjustable Ceiling Mount Instructions.

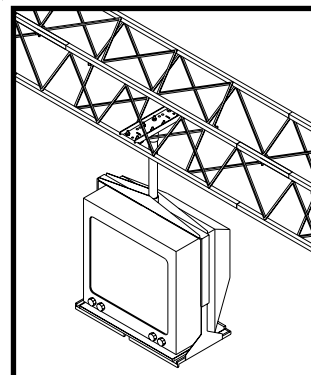
Center flange under bracket and attach with nuts and bolts.

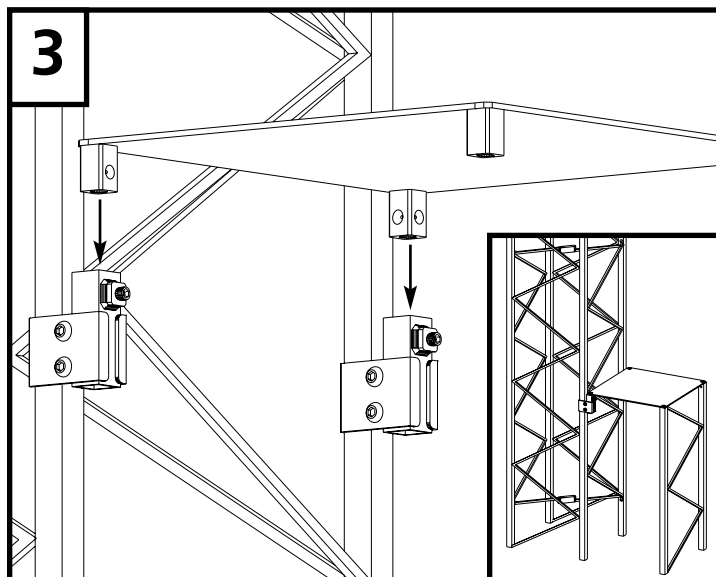
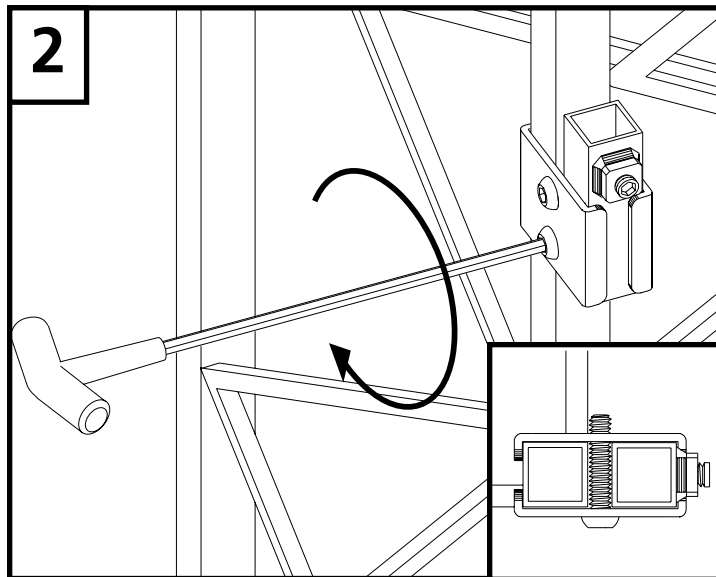
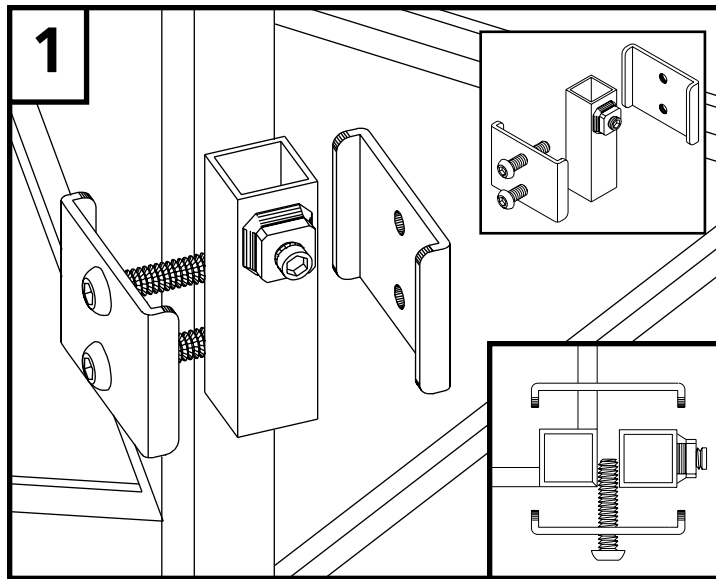
3 Mounting Monitor

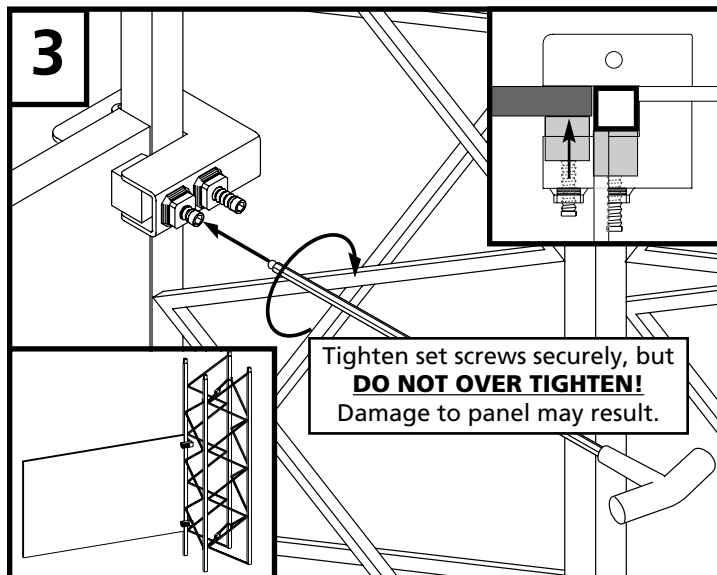
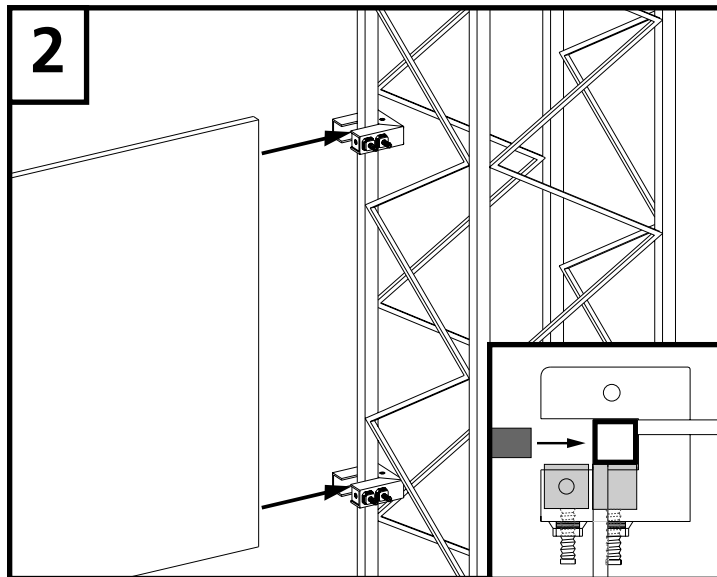
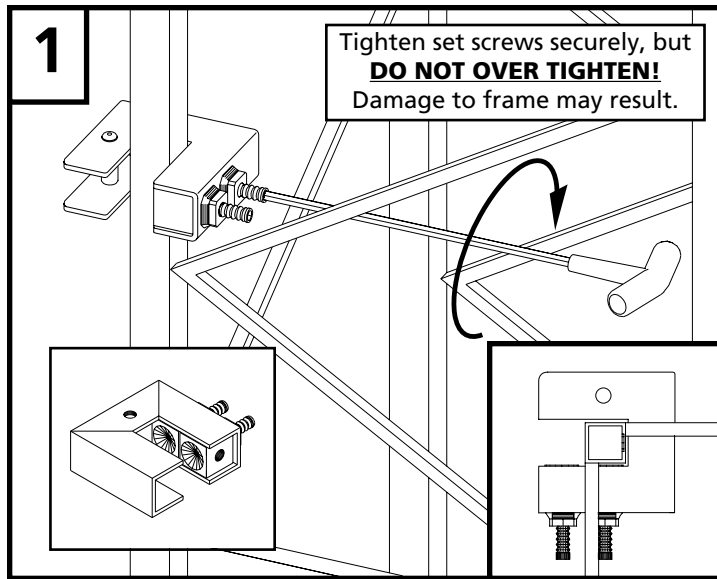


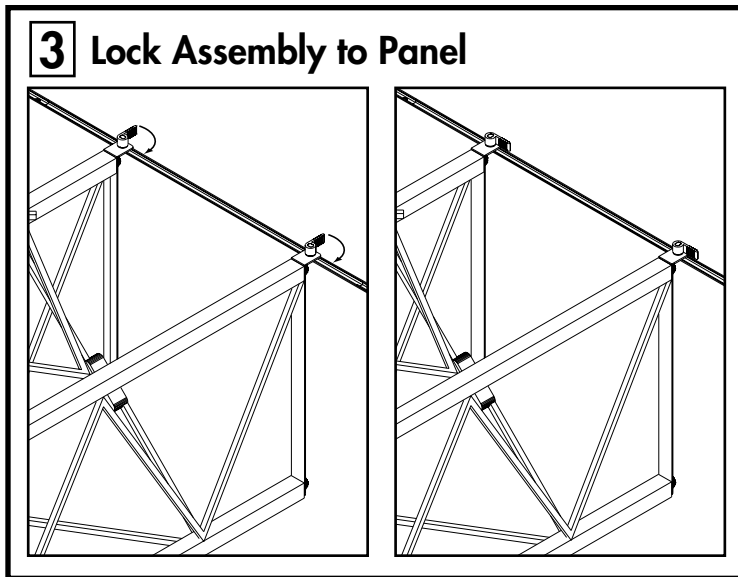
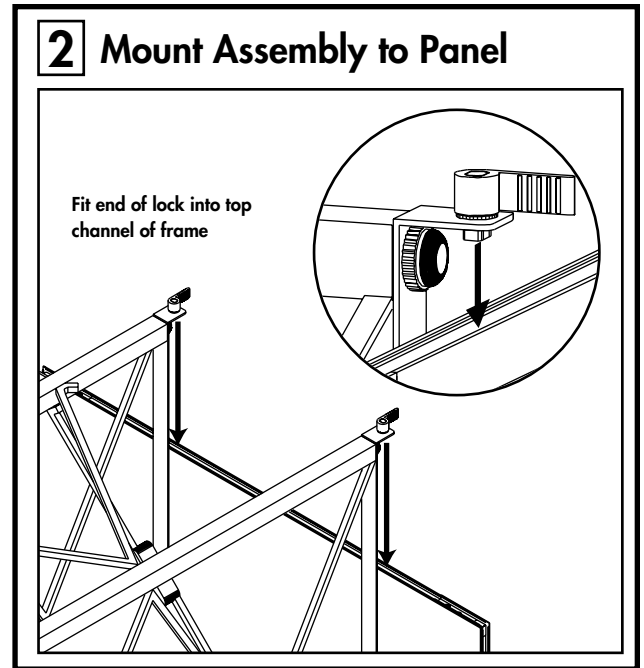
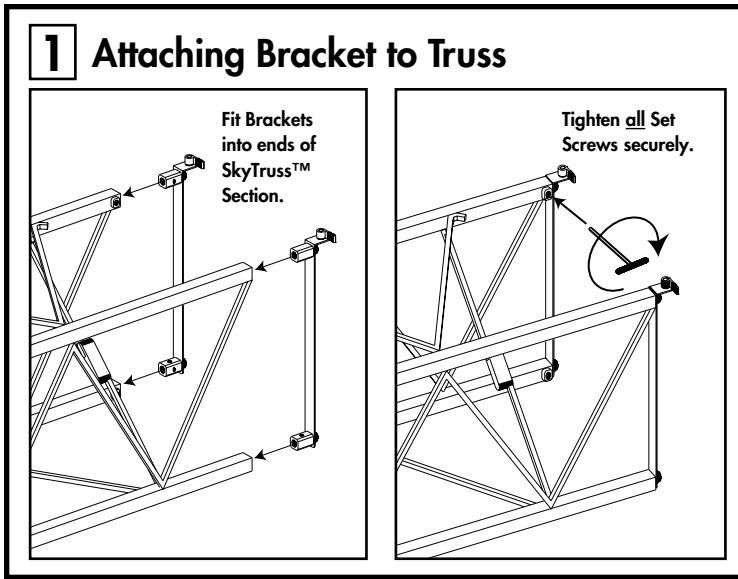
Check that all truss bracket bolts are tight before attaching upper hanger assembly pipe to bottom of dogbone flange. Screw pipe into flange until less than two threads are showing. Hang lower assembly according to manufacturer's instructions.

Note: Assemble Monitor hanger according to the ACM Adjustable Ceiling Mount Instructions included.









These assemblies require stable Mosaic structures to mount to and are not designed to handle heavy loads.

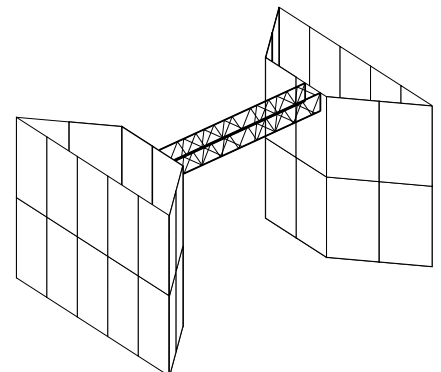
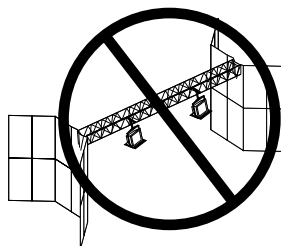
MAXIMUM TOTAL SPAN WEIGHTS = SkyTruss™* + Graphics + Lights + ...etc.

Mosaic Classic = 25 lb. (11.34 kg) maximum

Mosaic Plus = 45 lb. (20.41 kg) maximum

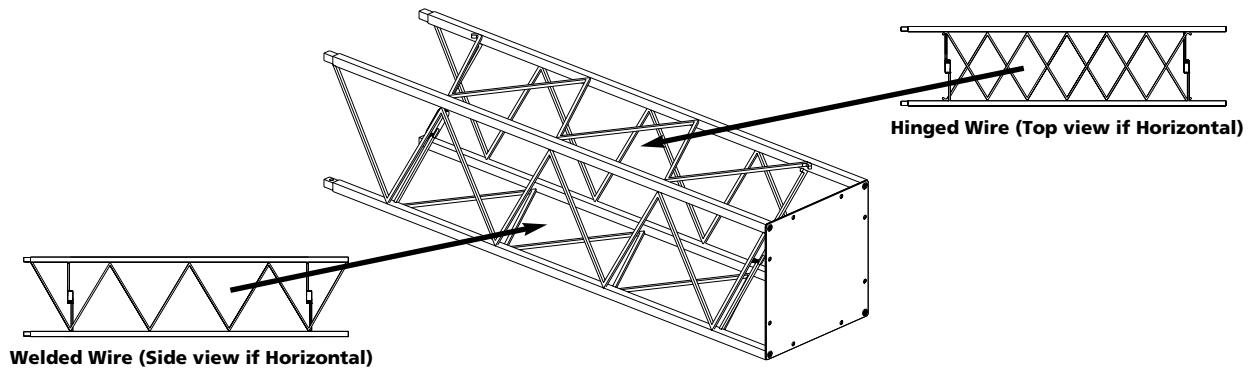
Mosaic Laminate = 45 lb. (20.41 kg) maximum

* (~10 lb./4.5 kg)/46" Section)

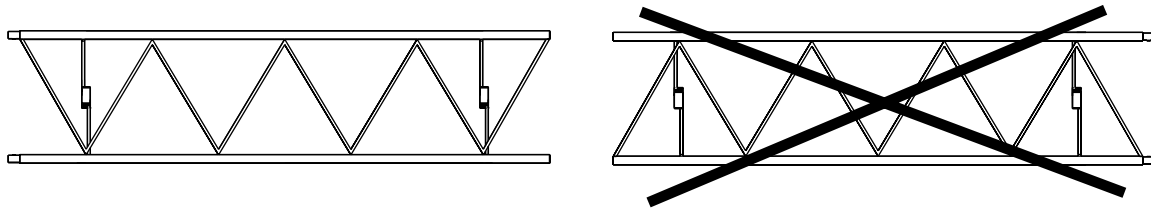


Basic Design Guidelines:

A- Note the difference between welded wire and hinge wire:



- Welded wire in vertical plane when truss is horizontal
- Welded wire to maintain an "W" pattern (not "M") when used horizontally.
- All horizontal truss sections must maintain the same "W" pattern when joined.

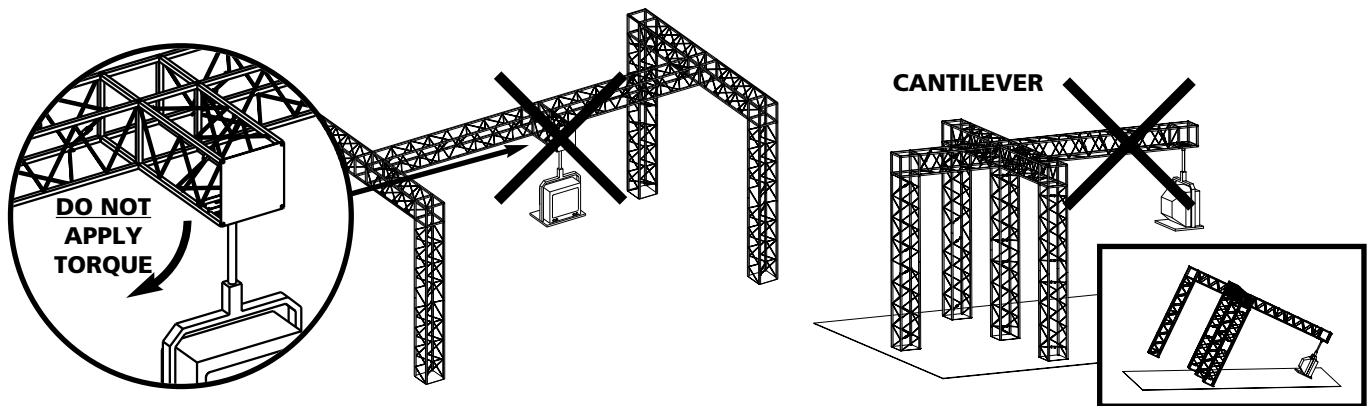


- B- Brace locks are not to be used for structural applications.
- C- Use cube or end plate whenever possible, especially in horizontal applications.
- D- If horizontal truss is under vertical compressive load, end plates or cubes must be used.



Always be sure to check:

1. Has the configuration been evaluated for **strength and stability**?
 - Do NOT** apply torque (rotational force) through truss.
 - Do NOT** load cantilevers (extended arms) without adequate base structure.



- See your Skyline representative for additional design resources.
2. Are the "Top Sides" up or in the same orientation? (See Guideline A above.)
 3. Are **all** the set-screws secure? Always double check!
 4. Do all fasteners have **good threads and contact**?