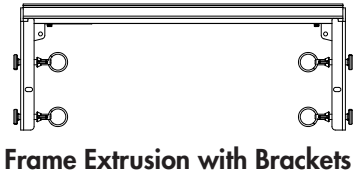


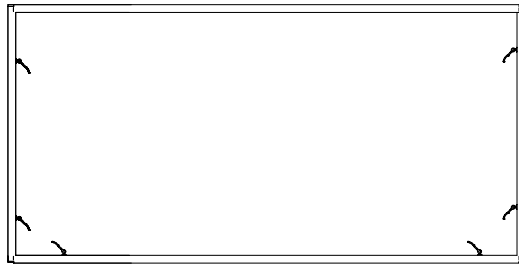
Table of Contents

Standard Frames/Custom Frames	2	Accessory Unlit Hardboard Mounts	21
Clear Standard Windows	3	Accessory Mounts on Frames	22
Clear Door	3	Monitor Mounts on Frames	23
Cam Assembly	3	Monitor Mounts on Unlit Hard Board	24
Frame Assembly	4	IR Monitor Sensor	24
Base Plates	4	Flush Monitor Mounts	24
Angled Corners	5	Monitor Mounts/Monitor Stopper	25
Cam Operation	6	Backlit Edge Lit Packages	26
Quarter Turn Connector Operation	6	Light Board Panel Installation.....	27
Corner Post	6	Backlit Light Board Packages	28
End Cap Trim Cover	6	Monitor Mount on Light Board	29
Light Board Backlit Panel - Corner Extenders	7-8	Light Board Accessory Mounts	30
Frame Extrusion with Brackets Installation	9	Double Sided Light Board Panels	31
Clear Door Lock Change	10	Light Board Panel Frame Covers	32
Clear Windows	10	Arm Light Bracket	33
Corner Post	11	Bridge Frame Mount	33
Stacking Frame/Windows	12	90° Frame Mount Package	33
Thick Plate Installation - for thick walls	13	End Cap Extrusion Assembly (for End Fabric Graphic)	34
Beams	14	End Graphic Extrusion Installation	34
Corner Post to Beam to Frame	14	Connection Packages	
Beam to Beam	15	to Tapestry	35
Beam Graphic Channel Installation	15	to Engage.....	35
Cantilever	16	Applying Window Film	36
Video Wall Installation	17	Corner Post	37
Semi-Rigid/Rigid Panel/Frosted Panel	18	"T" Corner	38
Fabric Panel	18	4-Way Corner	39
Backlit Graphic Folding	19	Door Conversion Kit	40
Hard Board Panel	20		

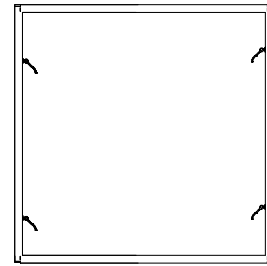
Standard Frames



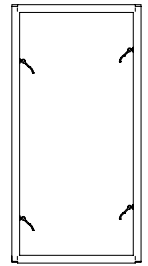
NOTE: Install doors to open outward.



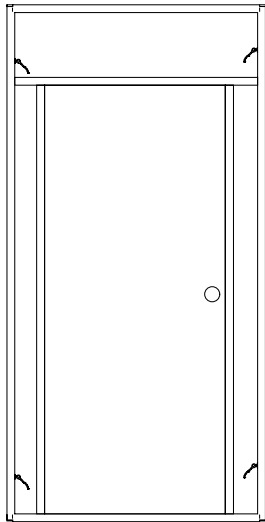
8' x 4' (horizontal)



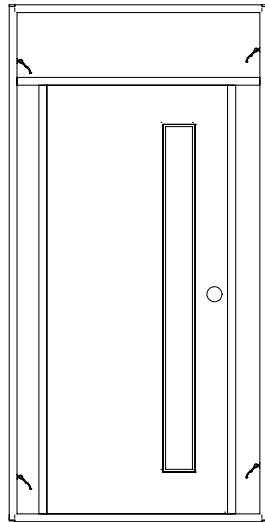
4' x 4'



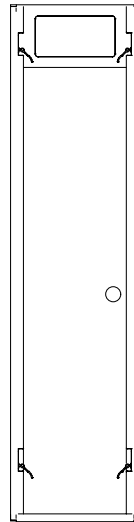
2' x 4'



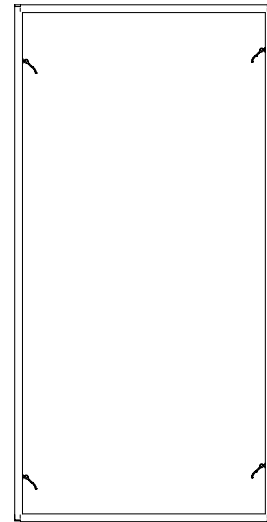
4' x 8' Solid Door/ SEG



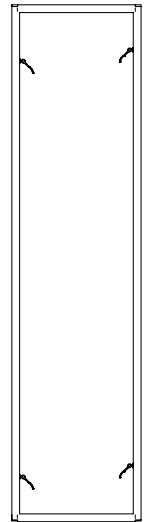
4' x 8' Solid Door w/Window



2' x 8' Solid Door (left and right)

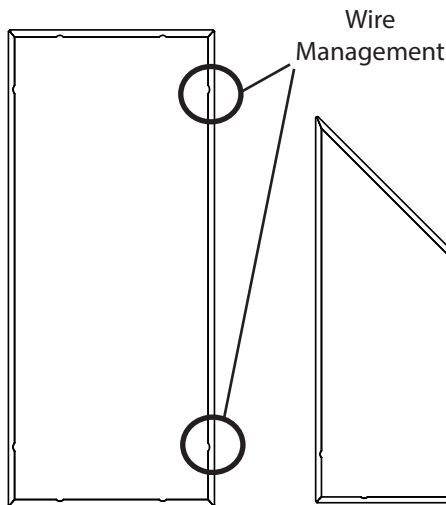


4' x 8'



2' x 8'

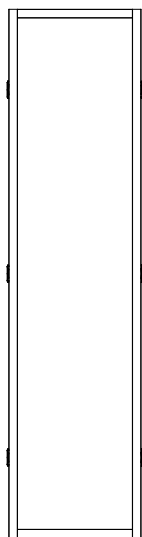
Custom Frames



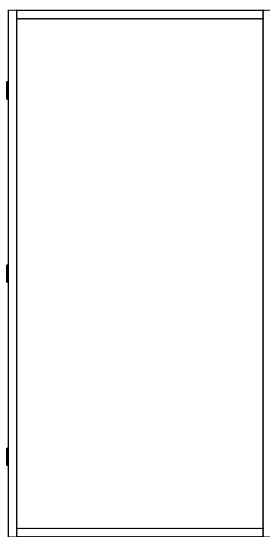
X' x X'

X' x Y' x Angle (45°-135°)

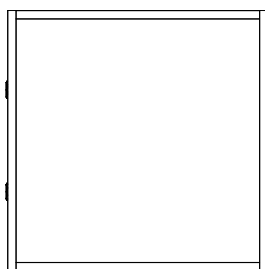
Clear Standard Windows



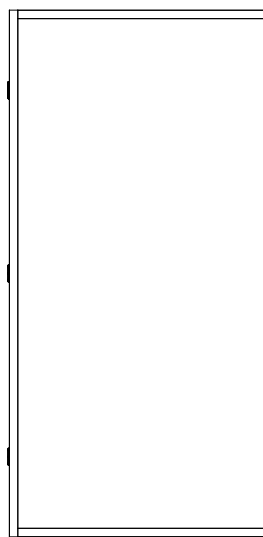
2' x 8'



4' x 8'

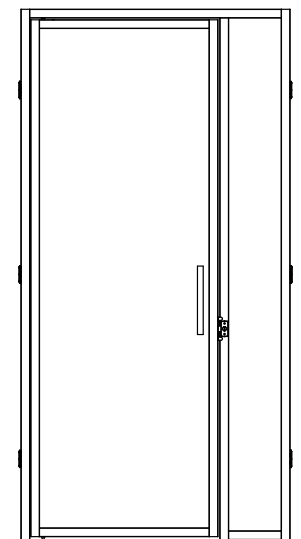


4' x 4'



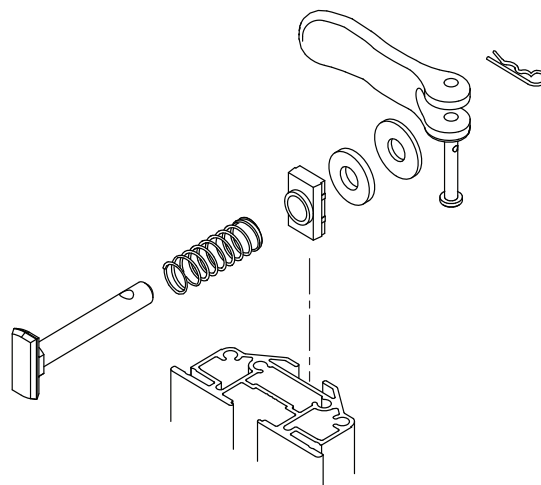
X' x Y'

Clear Door



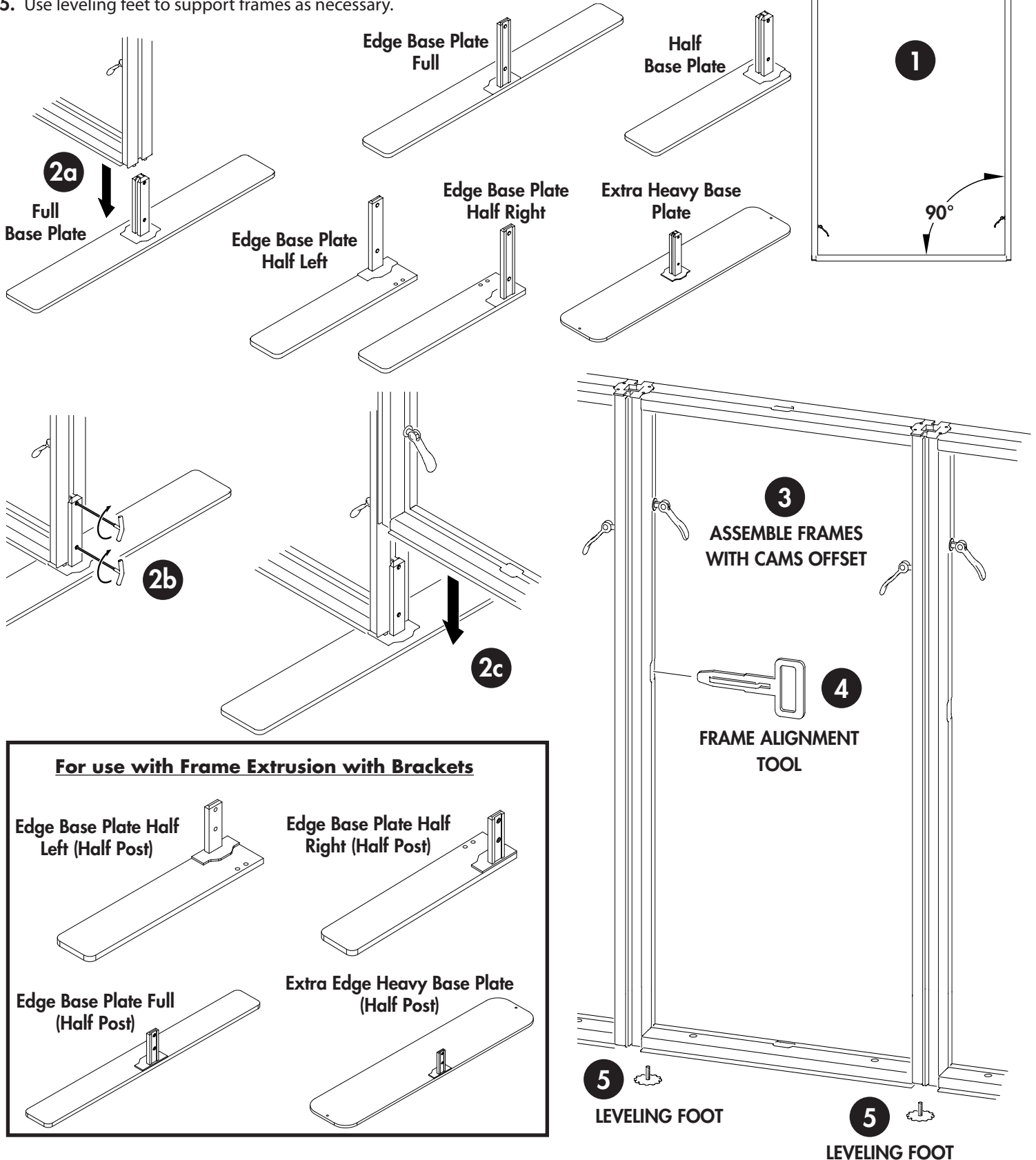
Standard Cam Assembly

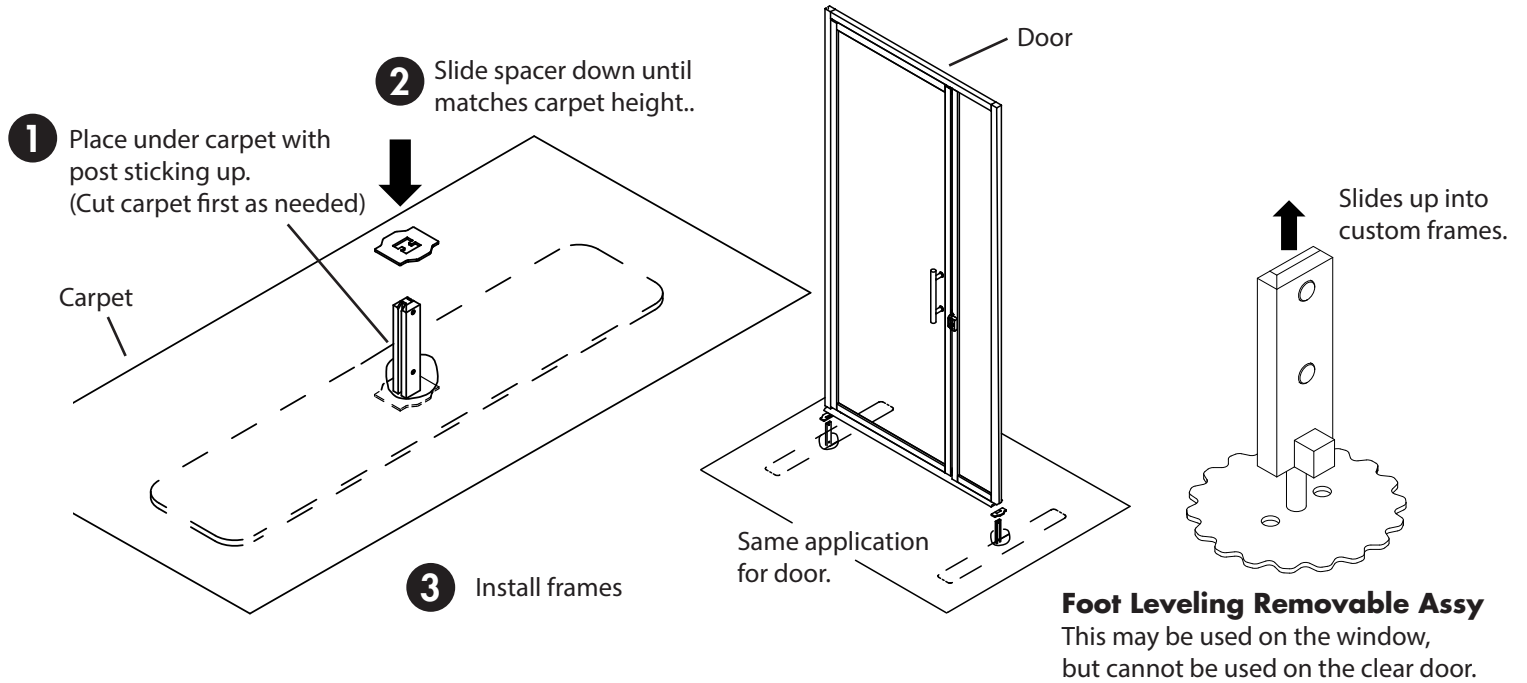
Cams are preassembled and pre-installed on the frame.



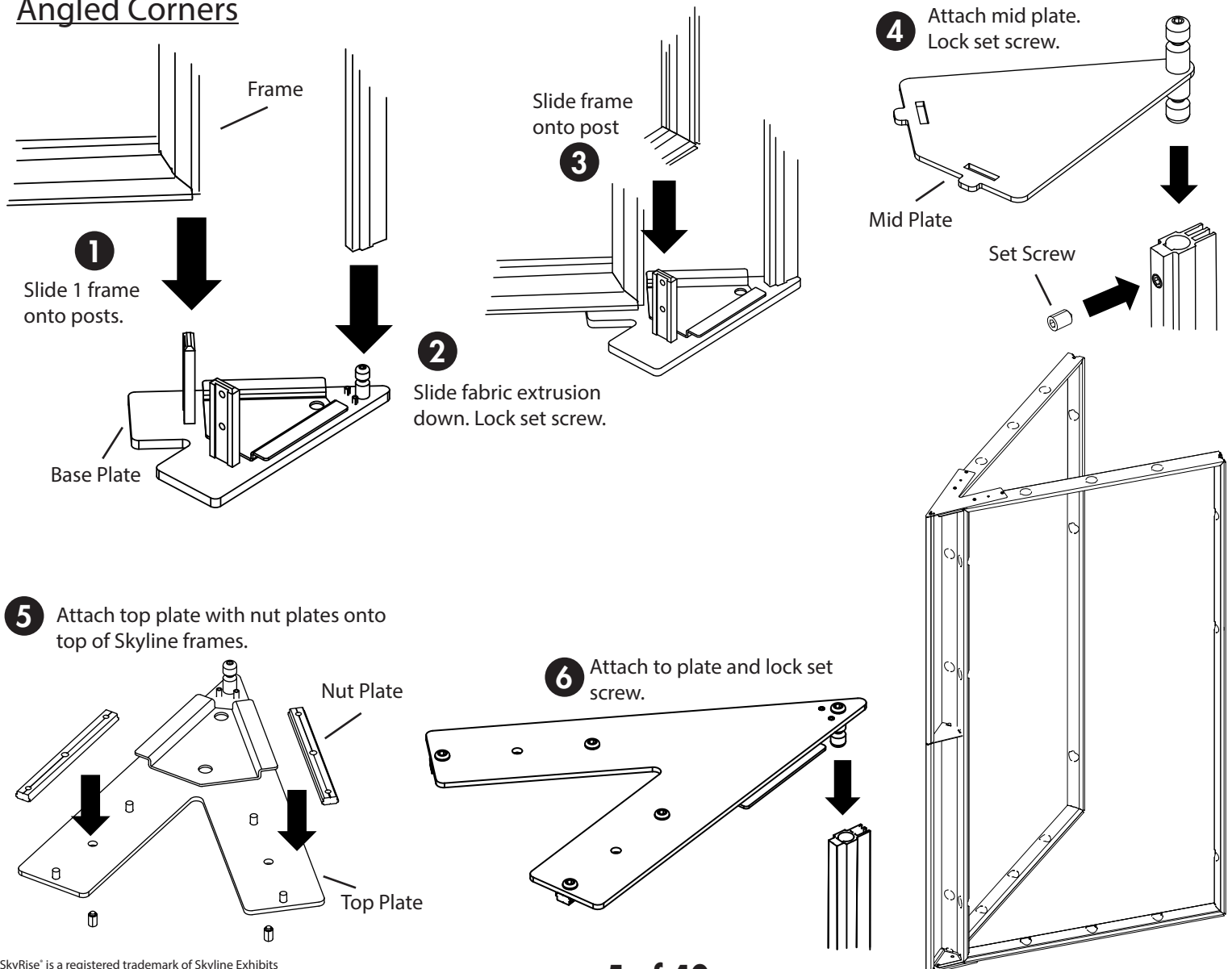
Standard Frame Assembly

1. Make sure all frames are square (not distorted or damaged) before assembly.
2. Install base plates (if used) as shown.
3. Align frames with cams "offset".
4. Use alignment tool to align frames before locking cams.
5. Use leveling feet to support frames as necessary.

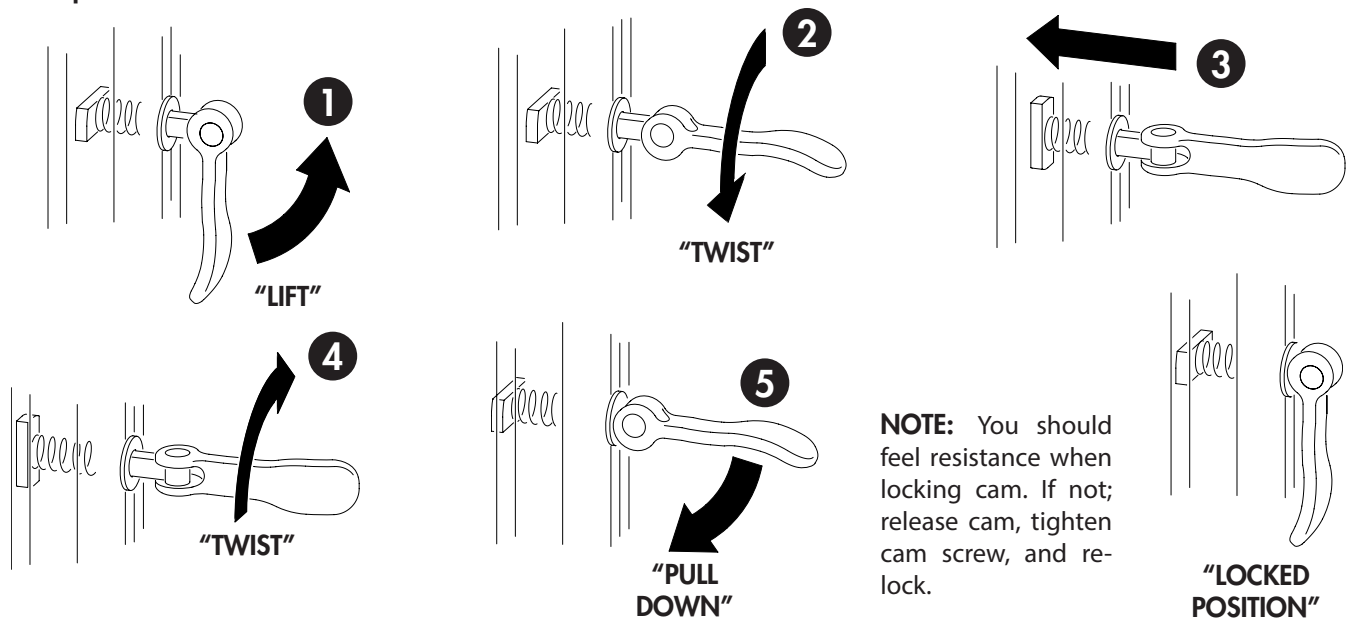




Angled Corners

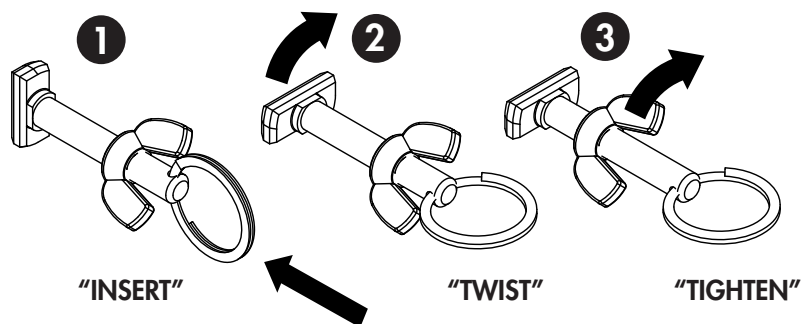


Cam Operation



Quarter Turn Connector Operation

(Used for Frame Extrusion with Brackets)



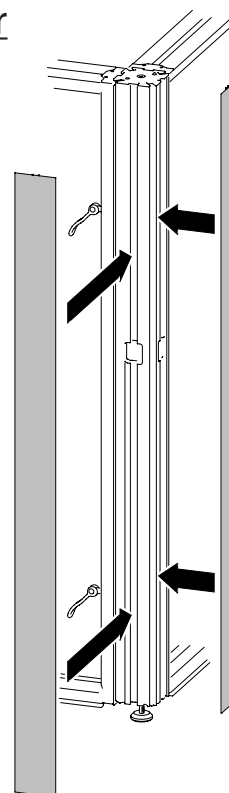
NOTE: Tighten wing nut finger tight until plate draws flush to frame. To disassemble, reverse steps. See page 4 for Variable Frame Extrusion detail.

Corner Post

NOTE: Align top of post with top of frame

HEIGHT ADJUSTING FOOT

End Cap Trim Cover

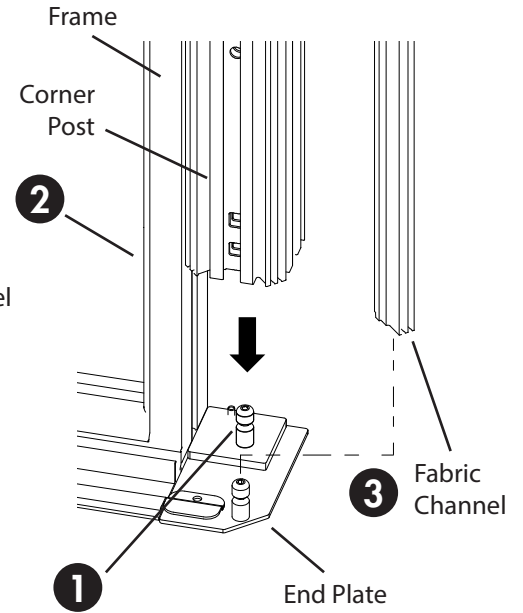
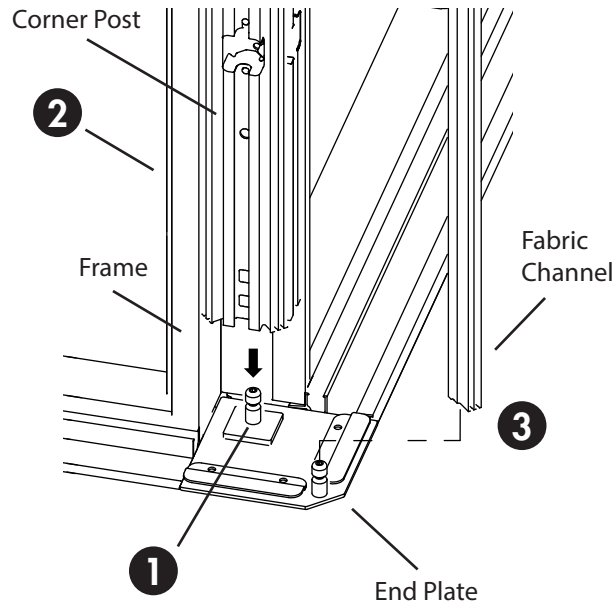


Light Board Backlit Panel - Corner Extenders

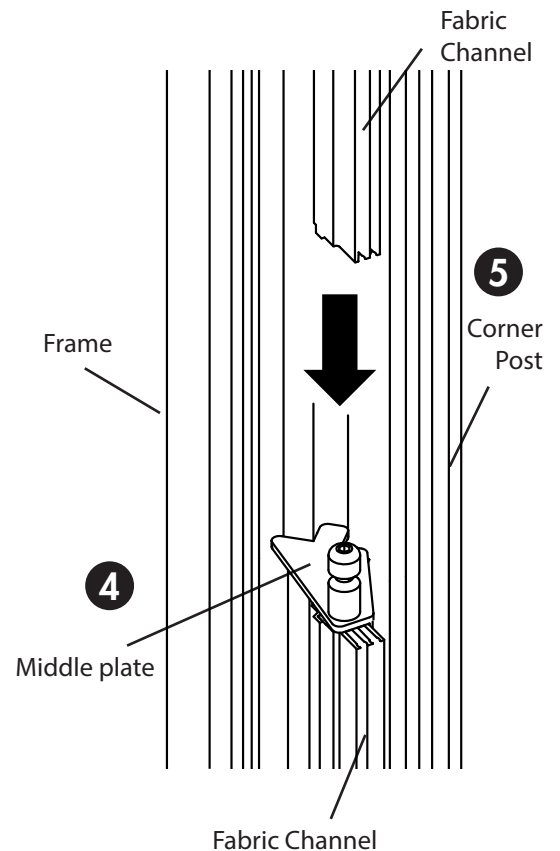
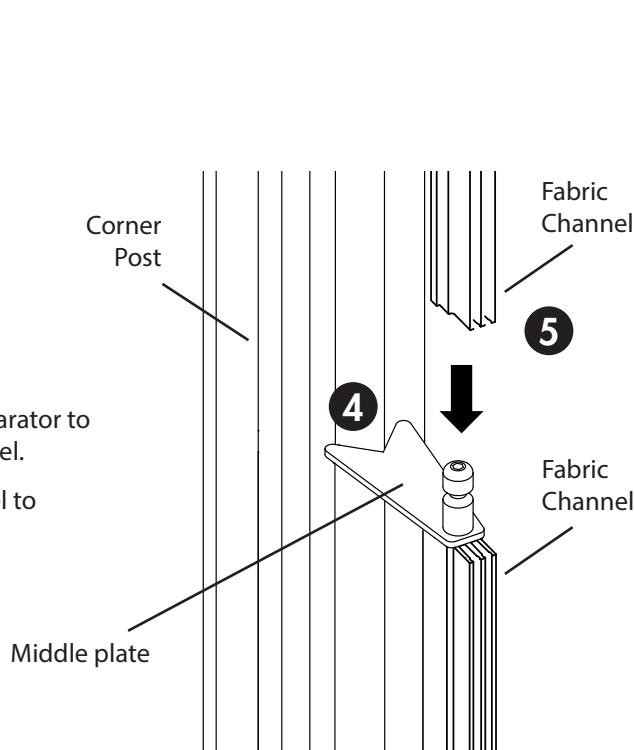
Full Corner Extender

Single Wall Corner Extender

- 1** Attach end plate to bottom of corner post.
- 2** Attach frames to corner post.
- 3** Attach fabric channel to end plate.



- 4** Attach midplate separator to bottom fabric channel.
- 5** Attach fabric channel to midplate separator.

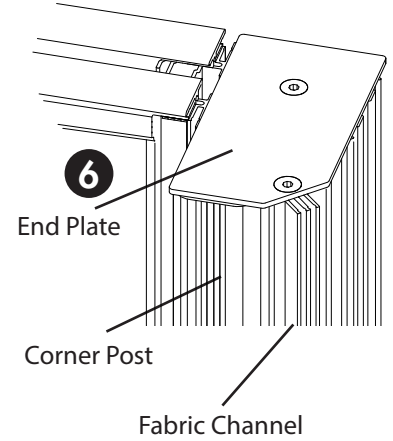
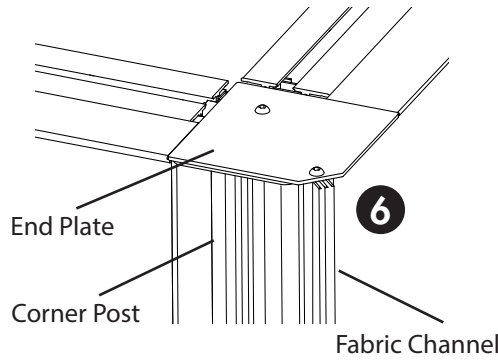


Light Board Panel - Corner Extenders (continued)

Full Corner Extender

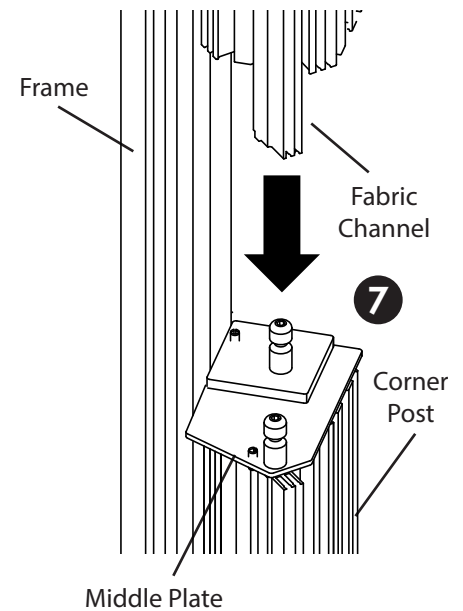
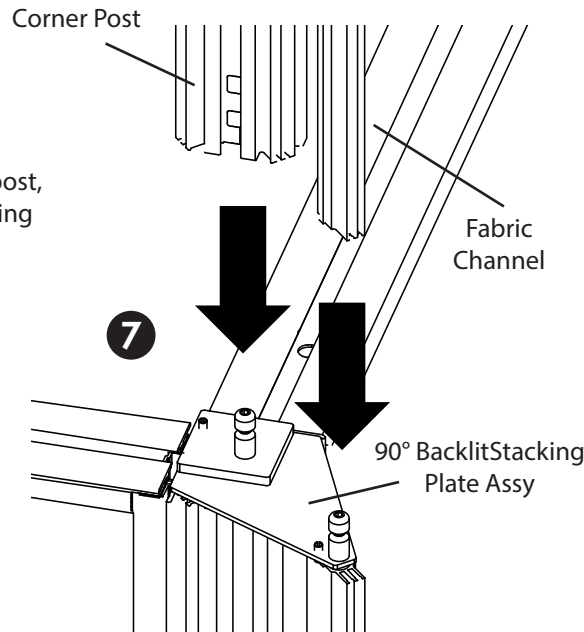
Single Wall Corner Extender

- 6** Attach end plate to top of corner post and fabric channel.

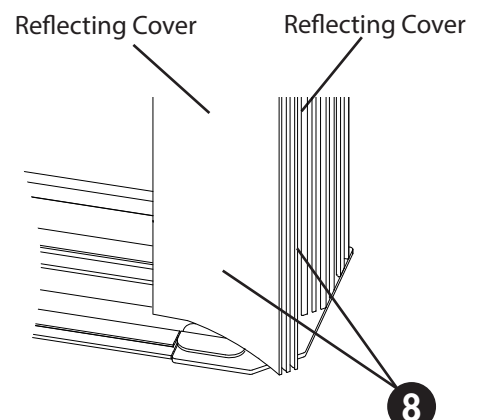
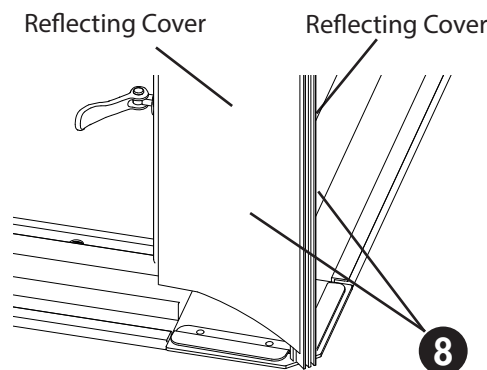


- 7** If adding another level of corner post, add a 90 degree backlit plate staking assembly and fabric channel.

Repeat Steps: 1 - 6

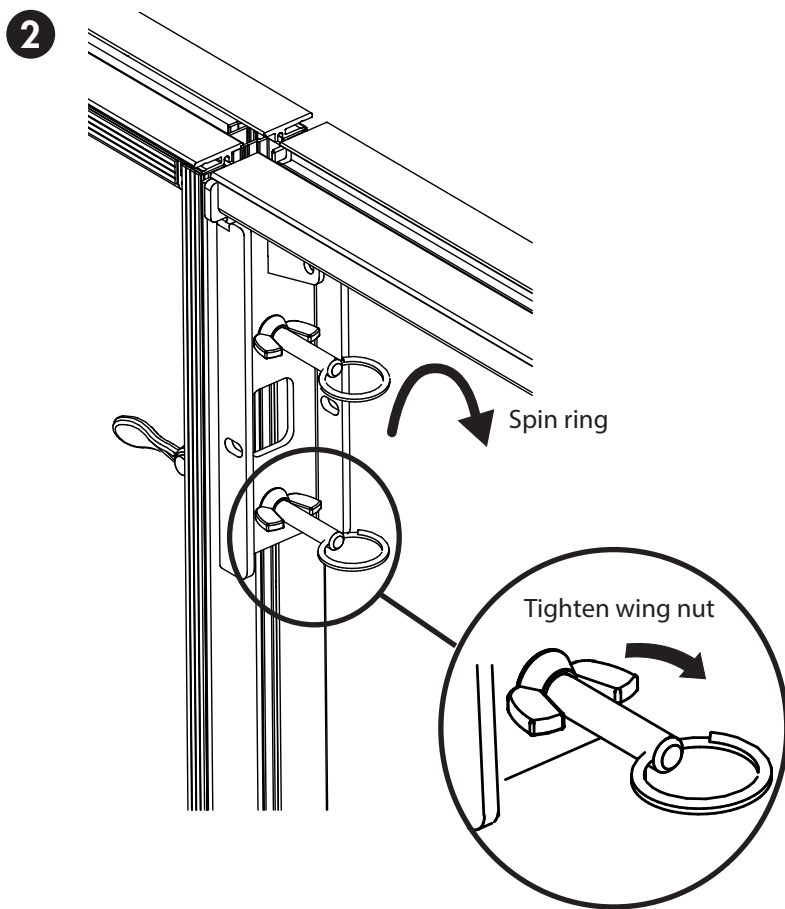
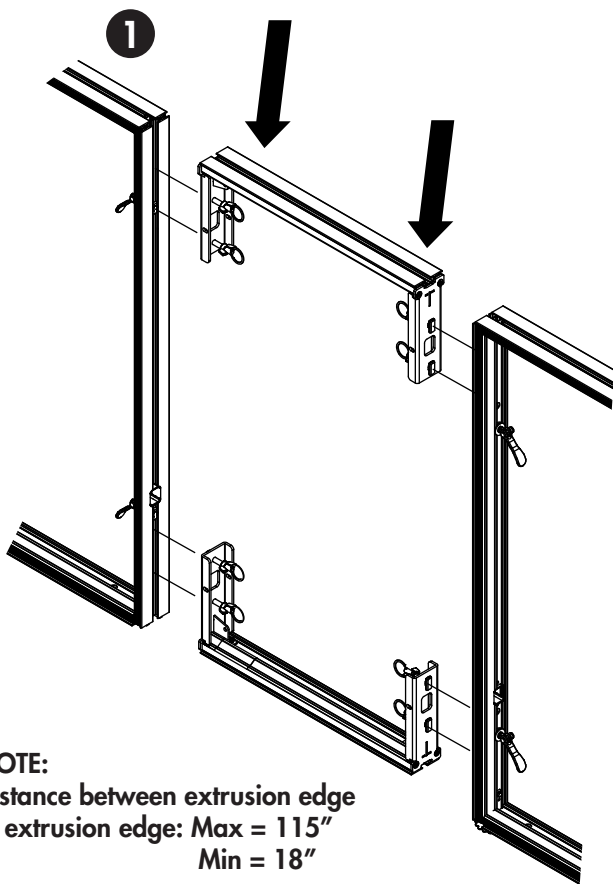


- 8** Apply reflecting covers to each side.



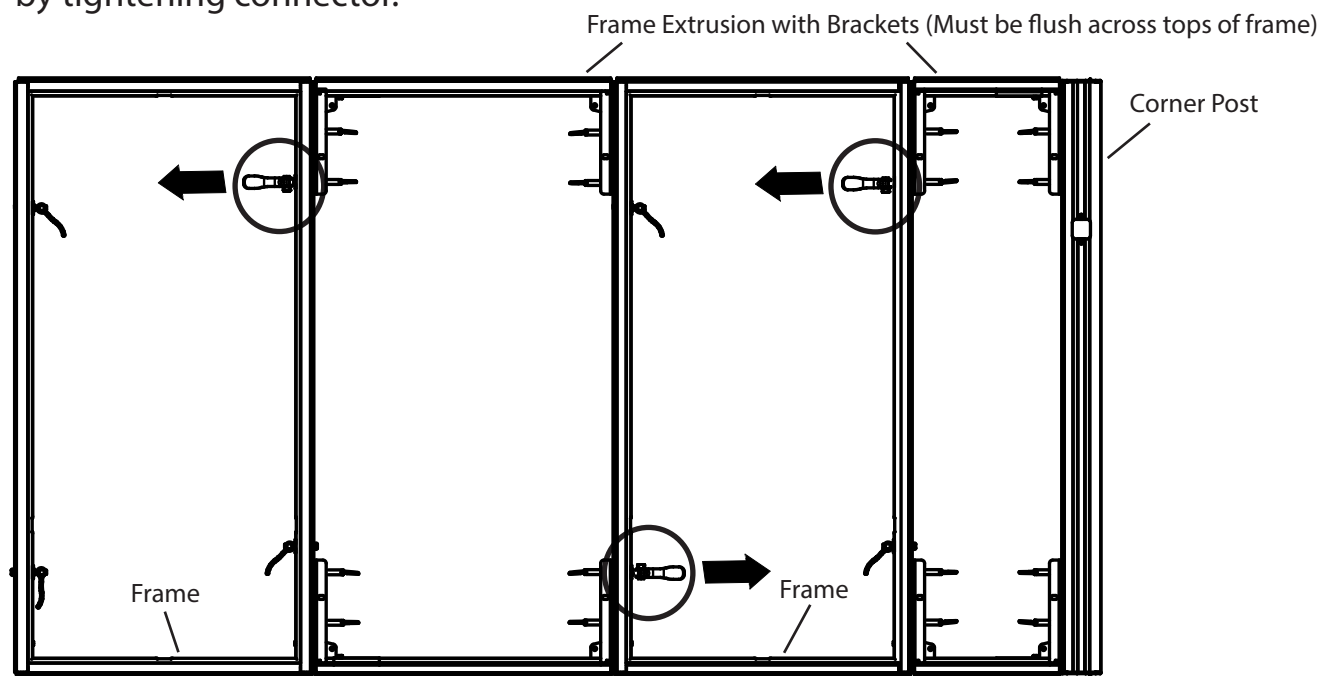
If lighting a single backlit wall use single wall pieces and follow the same process except only use reflecting cover for backlit side.

Frame Extrusion with Brackets Installation



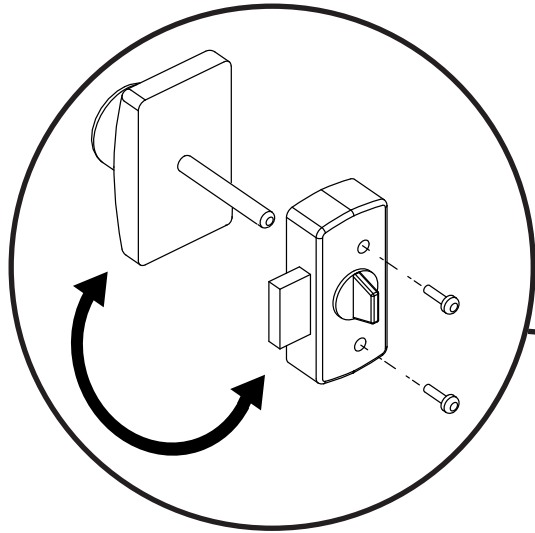
NOTE:
Distance between extrusion edge
to extrusion edge: Max = 115"
Min = 18"

Connect Frame Extrusion with Brackets between frames or to corner post by tightening connector.

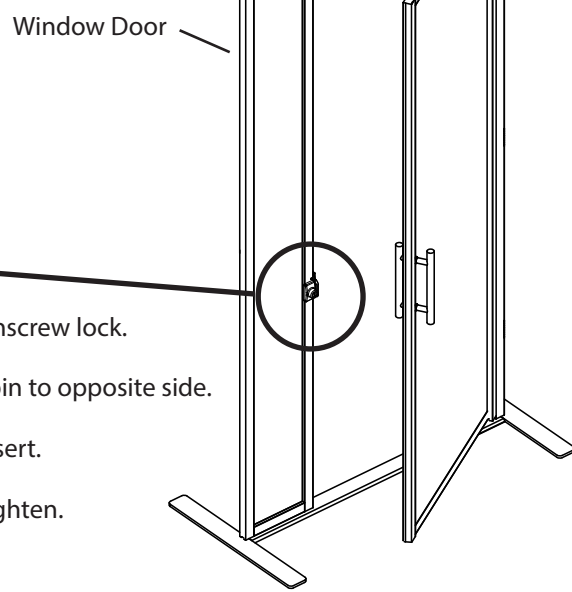


Note: Circled cams must be pulled back and rotated 90° to allow clearance for quarter turn cam.

Clear Door Lock Change

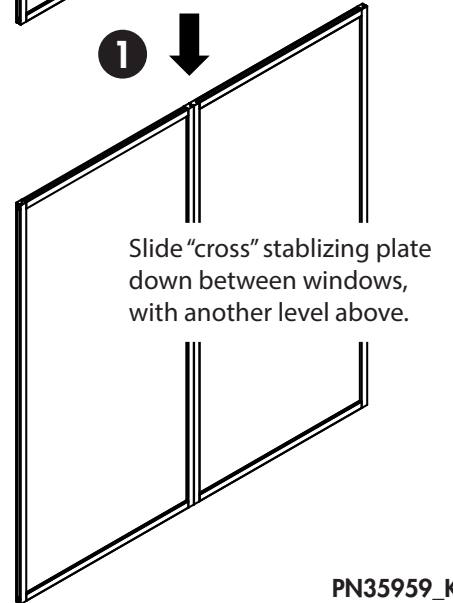
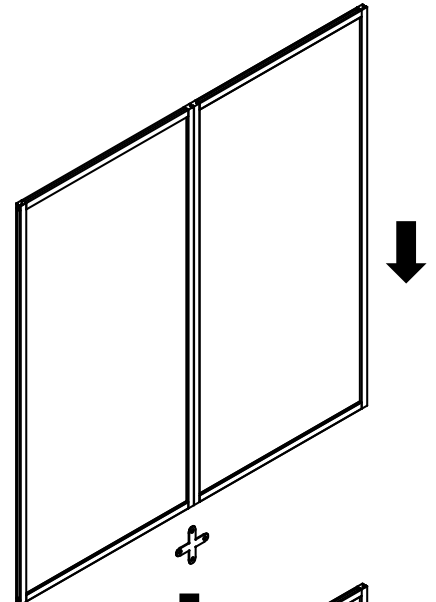
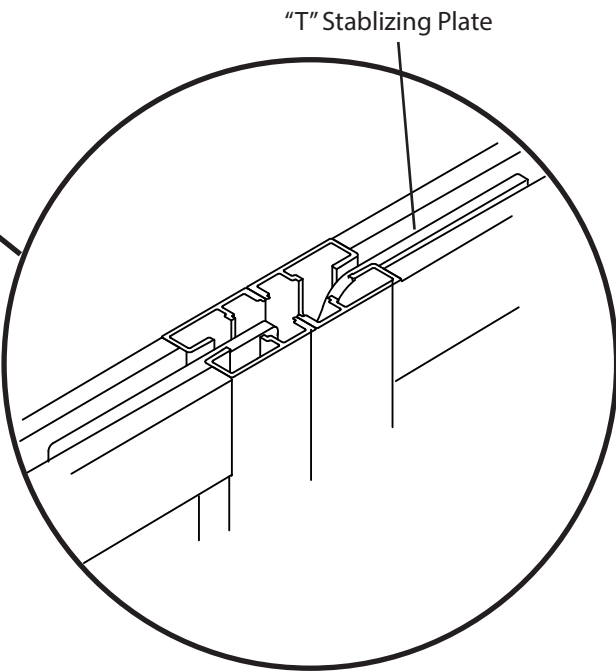
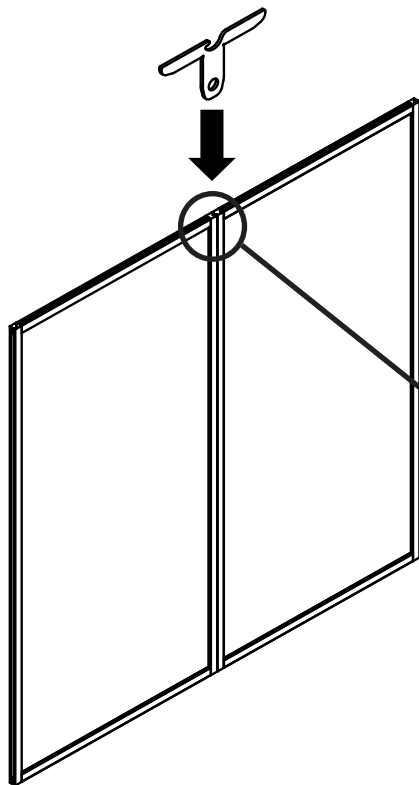


- 1** Unscrew lock.
- 2** Spin to opposite side.
- 3** Insert.
- 4** Tighten.



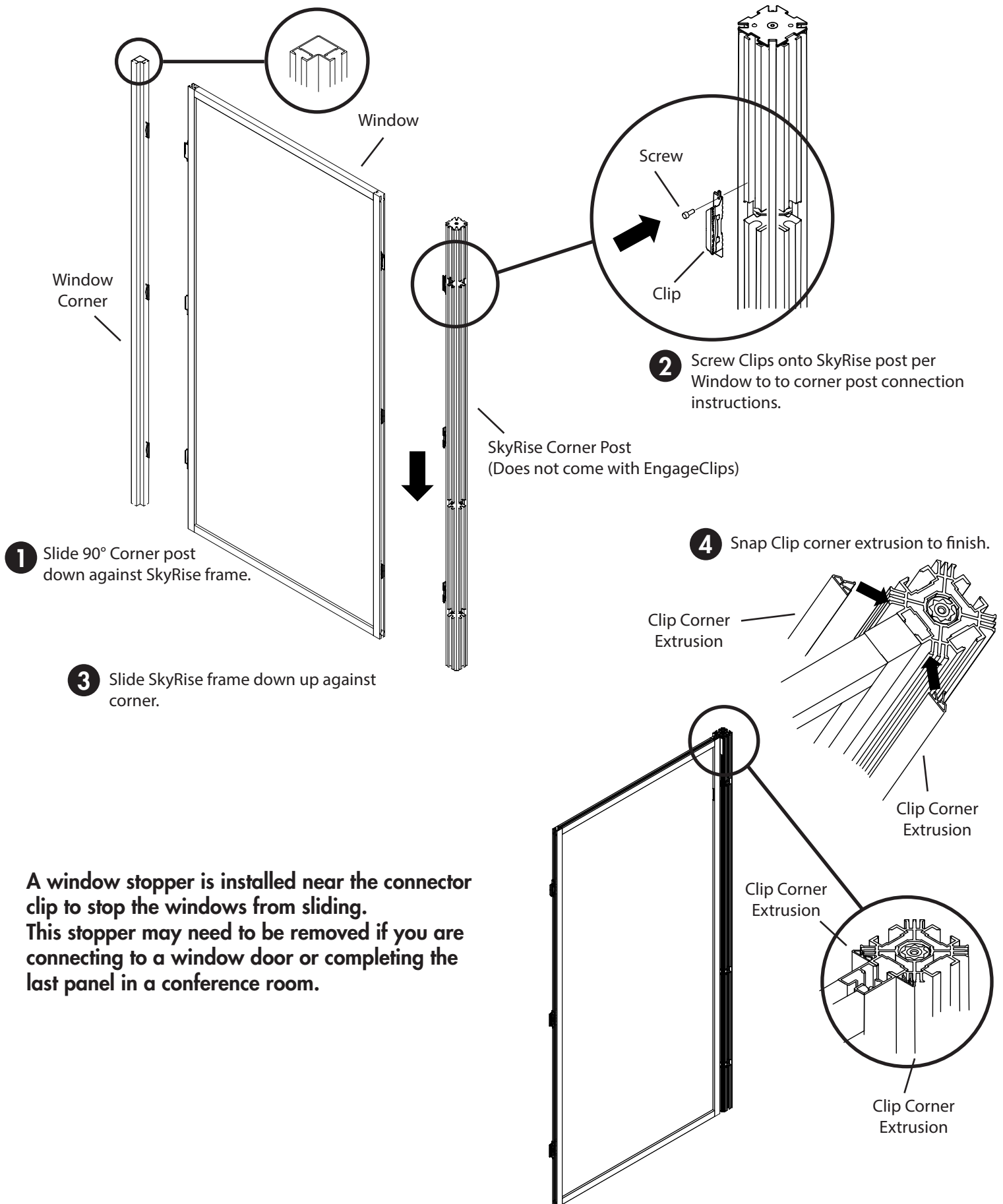
Clear Windows

- 1** Connect windows to each other and to feet.
- 2** Slide "T" stabilizing plate down between windows, with no windows above.

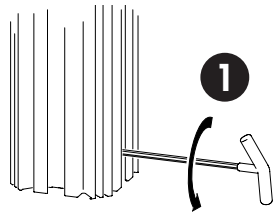


Ensure windows are connected to feet, frames or corner posts for stability.

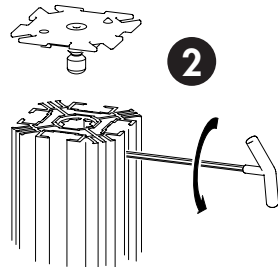
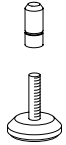
Corner Post



Stacking Frame/ Windows

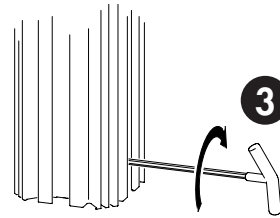


1
REMOVE FOOT
AND THREADED IN-
SERT FROM
UPPER CORNER POST

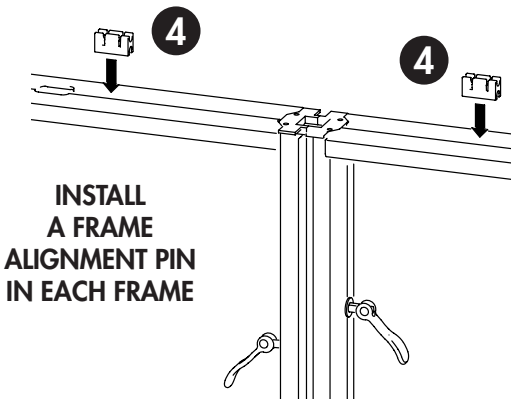
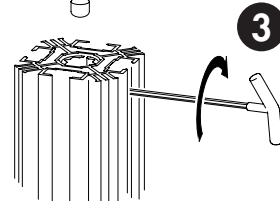


2
REMOVE CAP FROM
LOWER CORNER POST

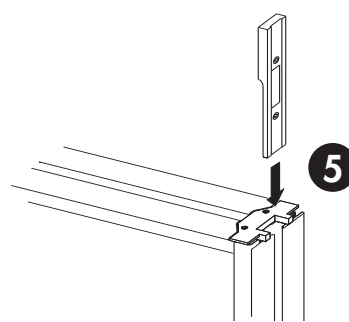
NOTE: Retain all
removed items for
rental return.



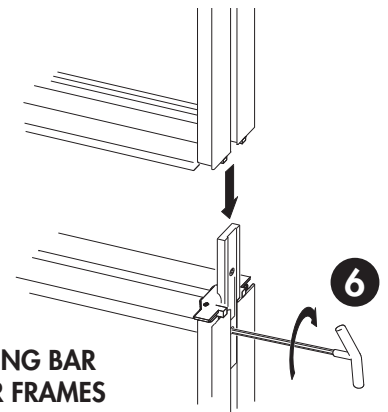
3
INSTALL CORNER POST
ALIGNMENT PINS



4
INSTALL
A FRAME
ALIGNMENT PIN
IN EACH FRAME



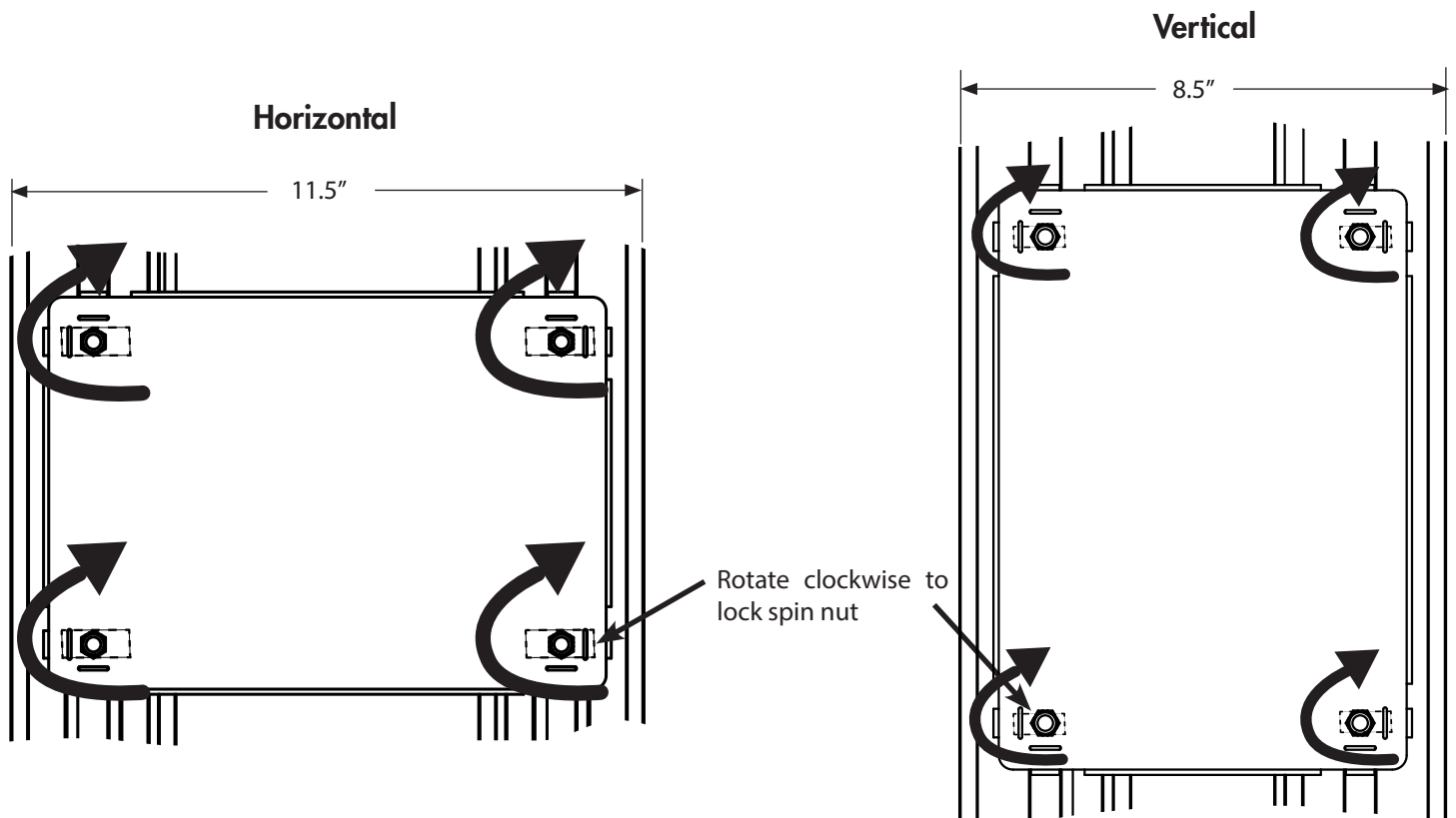
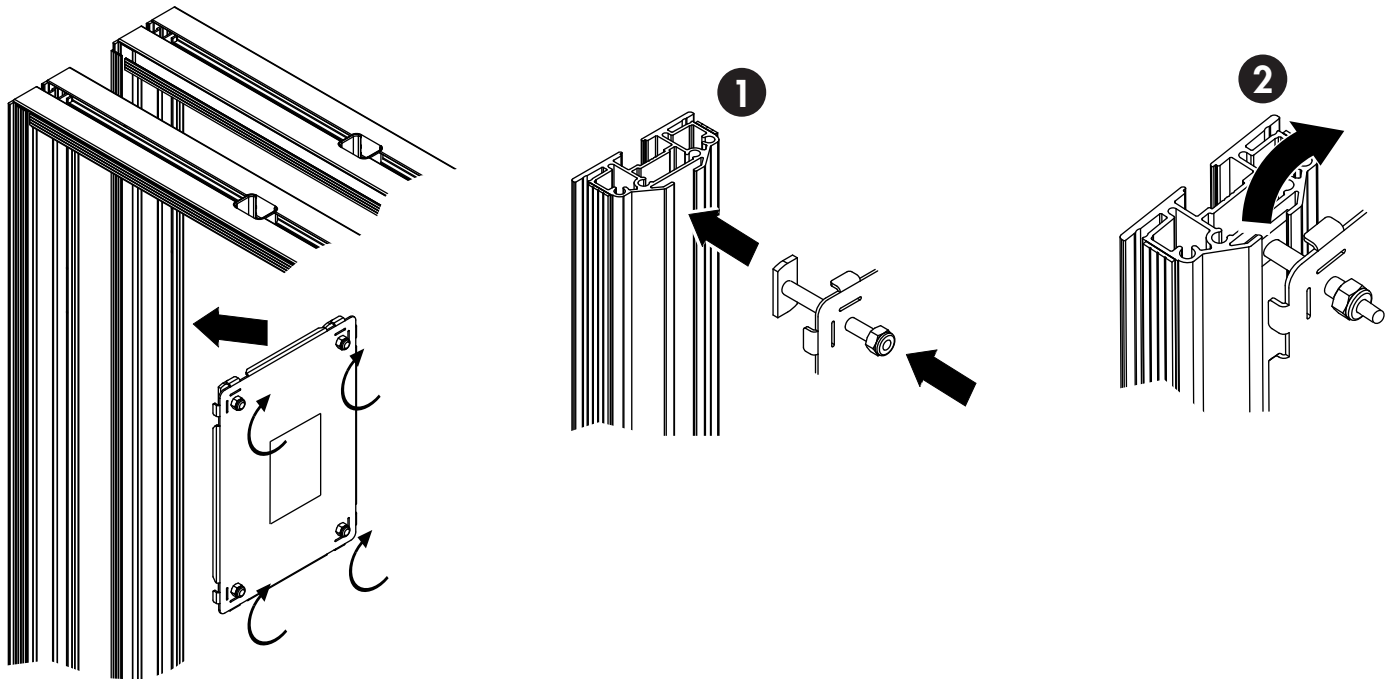
5
INSTALL A FRAME CONNECTING BAR
BETWEEN UPPER AND LOWER FRAMES
(recommended)



Thick Plate Installation

(Used to create double thick walls)

Tool needed: 7/16" Deep socket for wrench or drill.

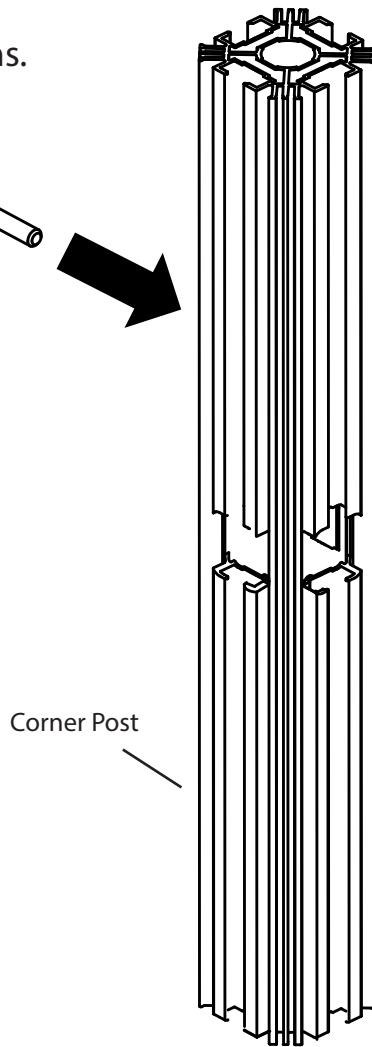
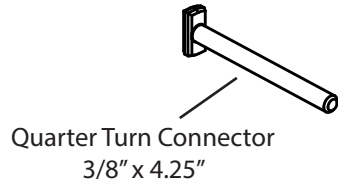


Note: Thickplates can be installed on corner posts as well, when needed.

Beams

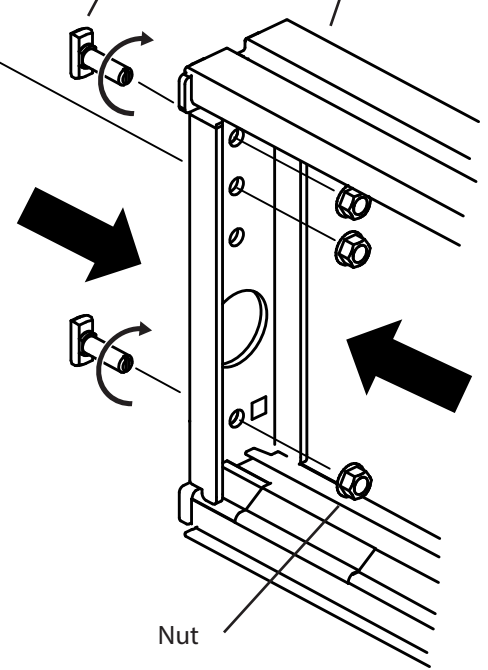
Corner Post to Beam

Skyline Engineering review may be needed for beam installation instructions.



Quarter Turn Connector
3/8" x 1.489"

Beam



Corner Post

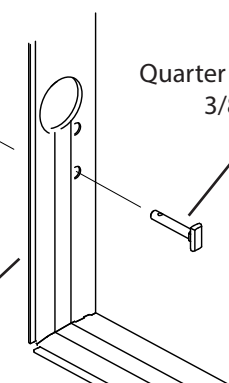
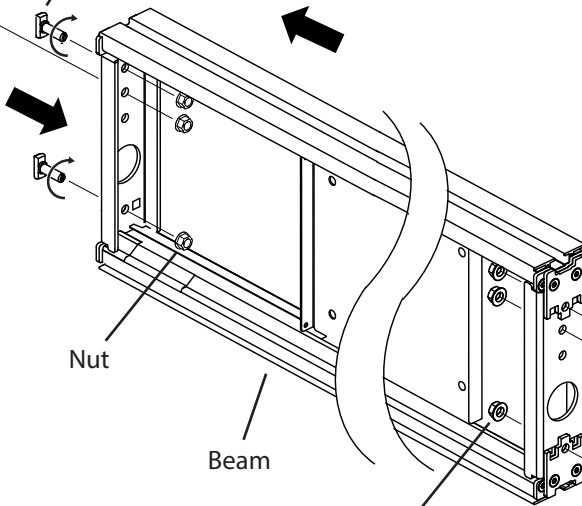
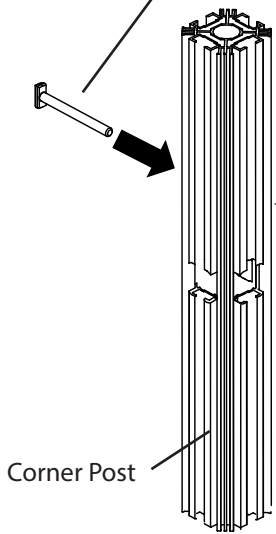
Corner Post to Beam to Frame

Quarter Turn Connector
3/8" x 4.25"

Quarter Turn Connector
3/8" x 1.489"

Quarter Turn Connector
3/8" x 1.489"

Quarter Turn Connector
3/8" x 2.625"



Corner Post

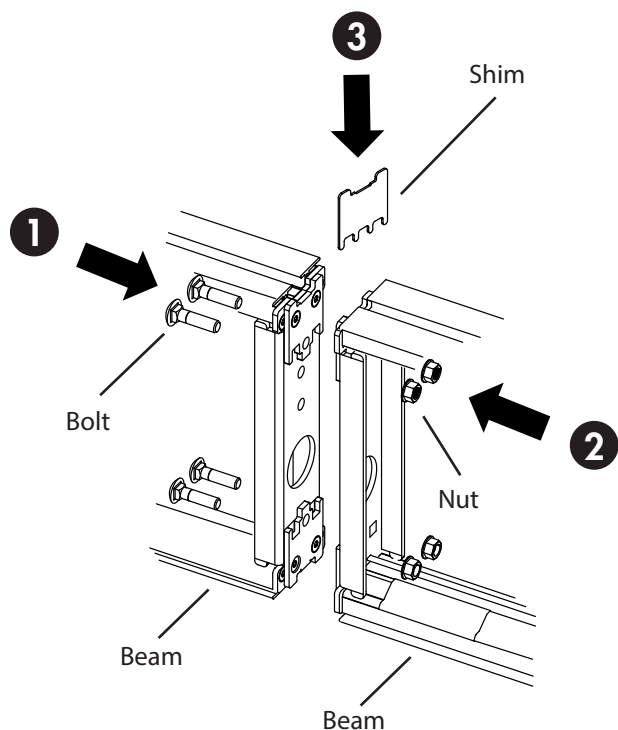
Nut

Beam

Nut

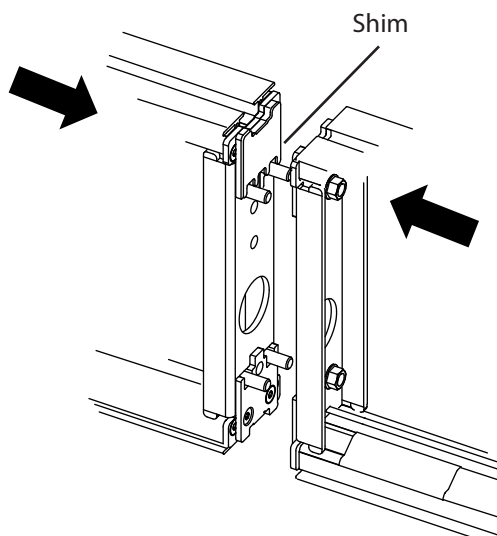
Frame

Beam to Beam



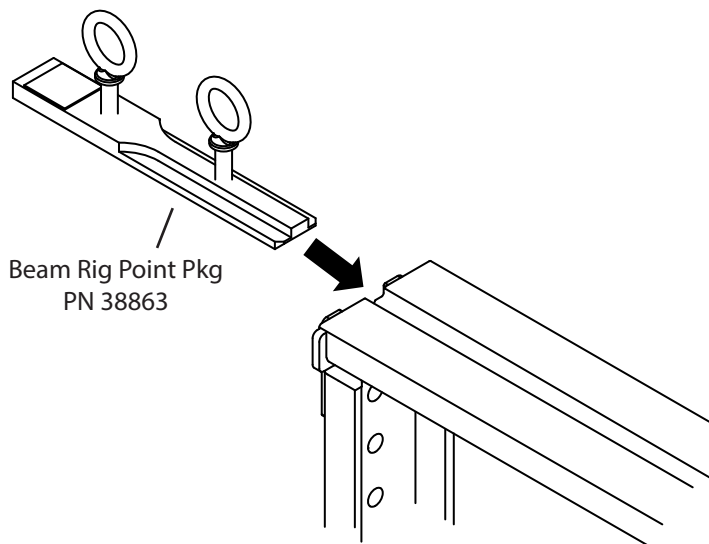
- 1** Assemble bolts through both beams.
- 2** Add nuts and slightly tighten
- 3** Insert Shim and tighten bolts.

NUMBER OF SHIMS PER BEAM JOINT				
Height	No Load	≤100 Lbs	≤200 Lbs	≤300 Lbs
5.75"	1	N/A	N/A	N/A
11.5"	1	3	N/A	N/A
23"	1	2	3	3
46"	1	2	2	2

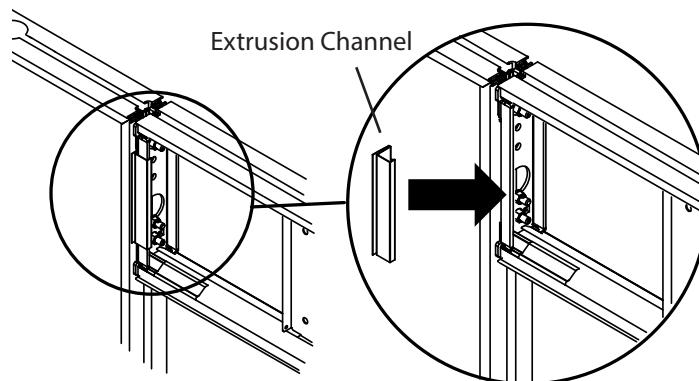


Shim will rest on top of bolts. Additional Shims may be needed. Please see Guidelines above.

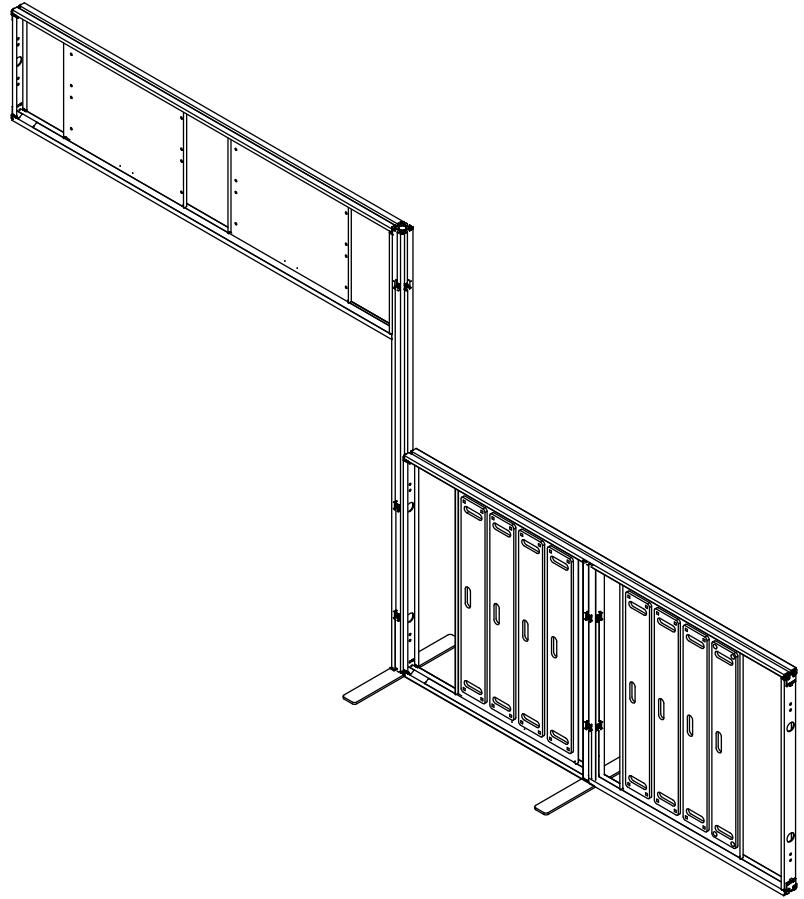
For rigging of beams use 38863-011, Beam Rigpoint. Slide this onto the top extrusion of the beam and lock into place with eye bolts.



Beam Graphic Channel Installation



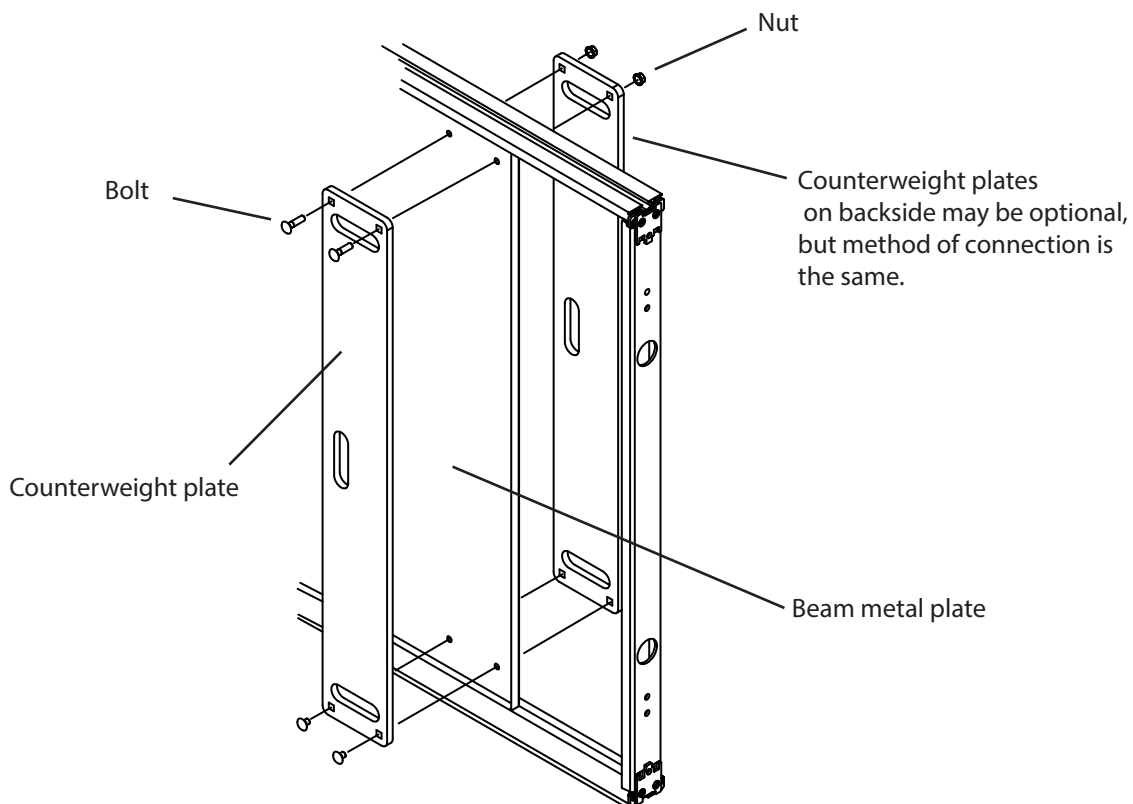
Cantilever



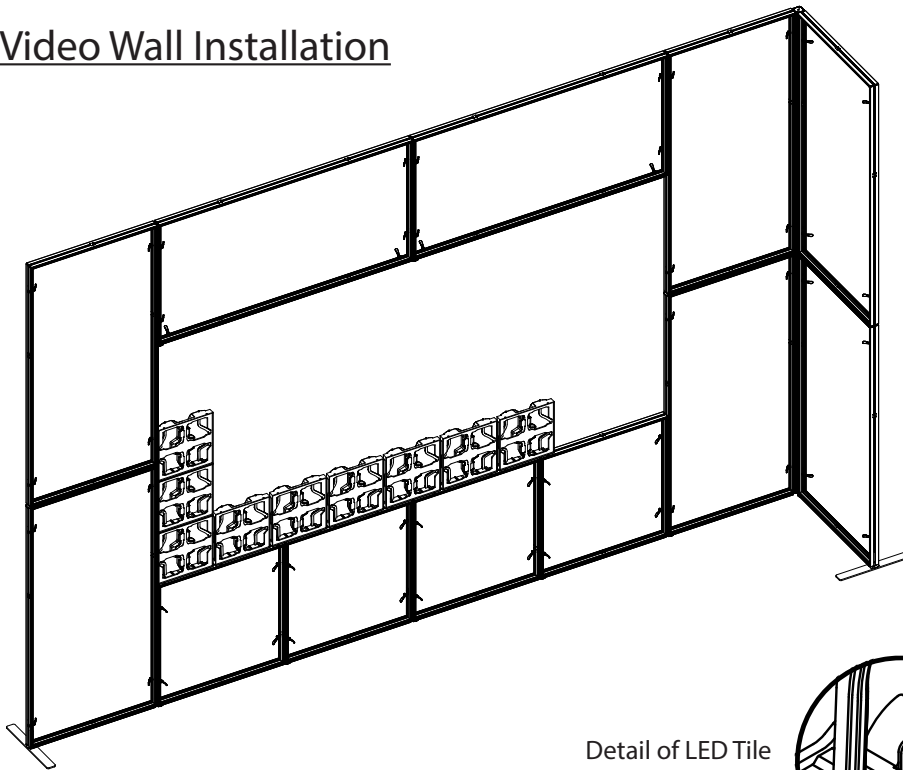
- 1** Build frame at bottom opposit of cantilever.
- 2** Load weight on frame, as needed* .
- 3** Bolt counter weight plates.
- 4** Review instructions for accuracy.
- 5** Build cantilever.

* Counterweights may not be needed if cantilever is attached to a heavy structure.

Counterweight Plate Attachment

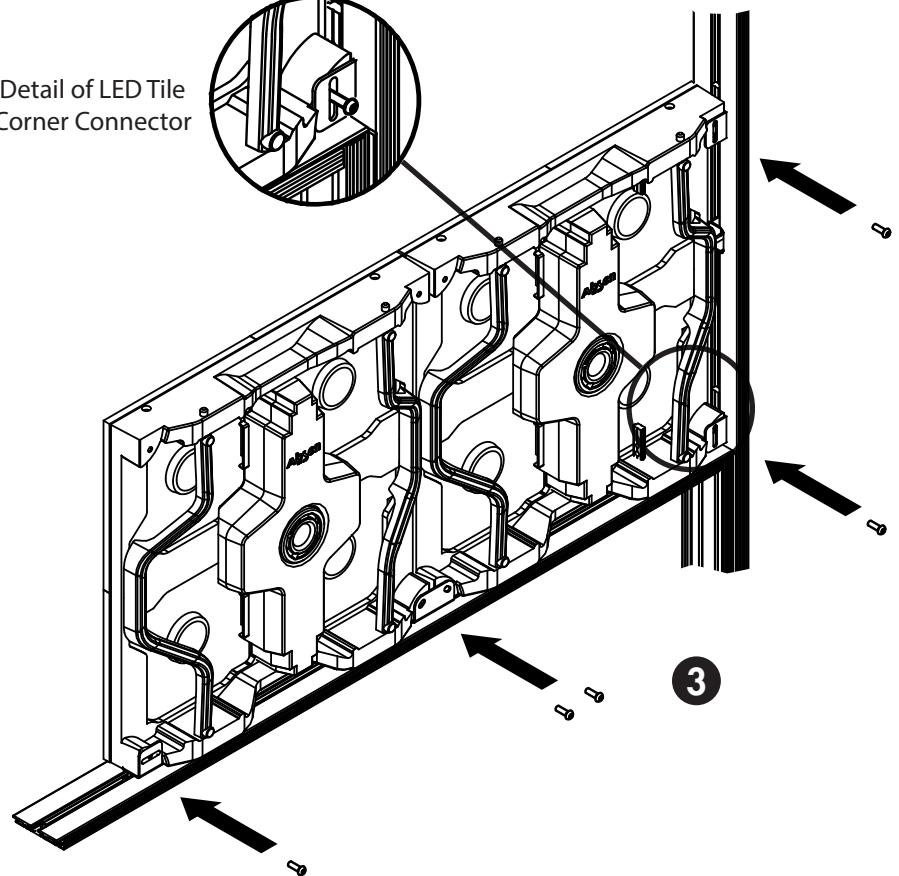
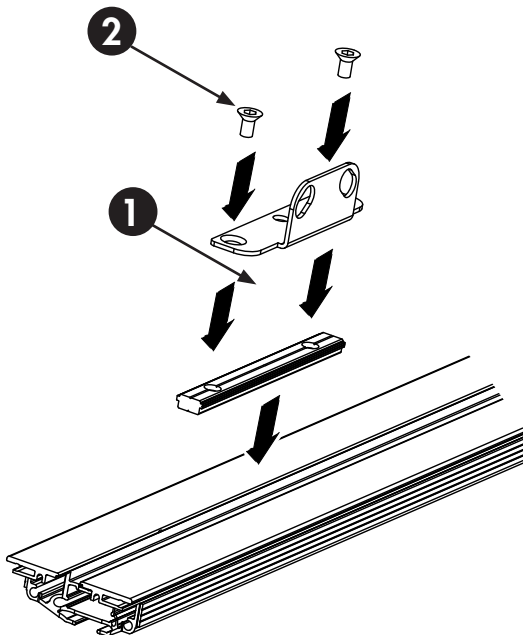
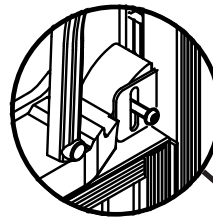


Video Wall Installation



- 1** Ensure frame opening is level.
- 2** Attach tile to corner w/ brackets.
- 3** Complete bottom row installation - remove alignment pins on bottom or top of tiles, as needed.
- 4** Fill in the rest of the tiles.

Detail of LED Tile Corner Connector

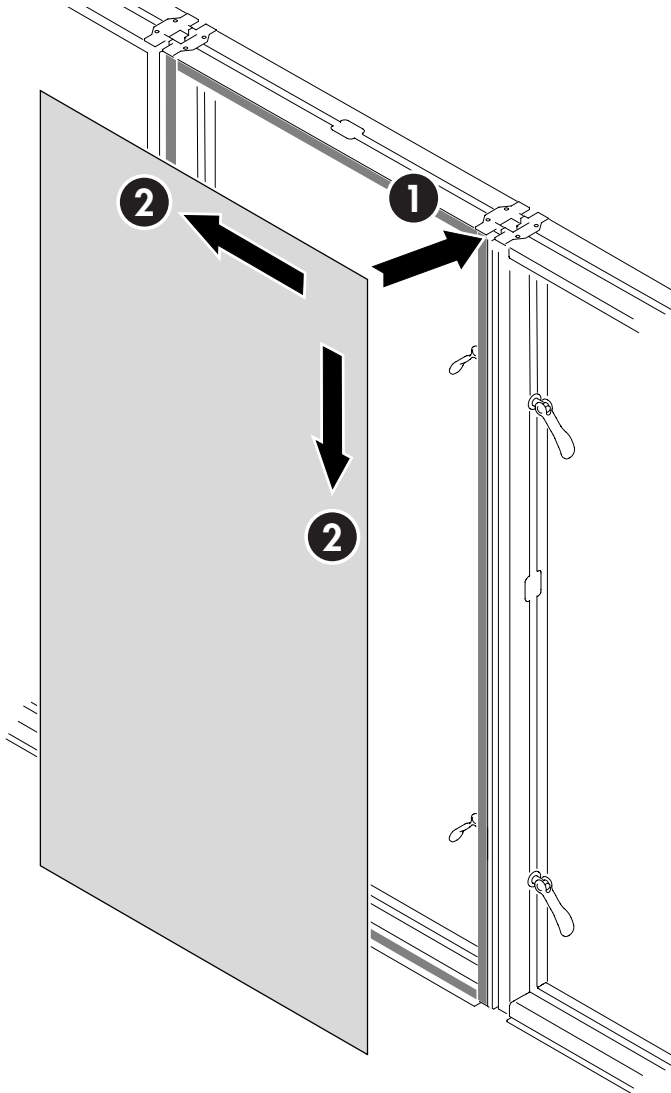


Standard Video Tile Bracket PN 38578-002 is intended to be used exclusively with PRG's Absen 2.9mm Tile. Refer to PRG* or video wall tiles manufacturer's instructions for further assembly and operation of video wall components.

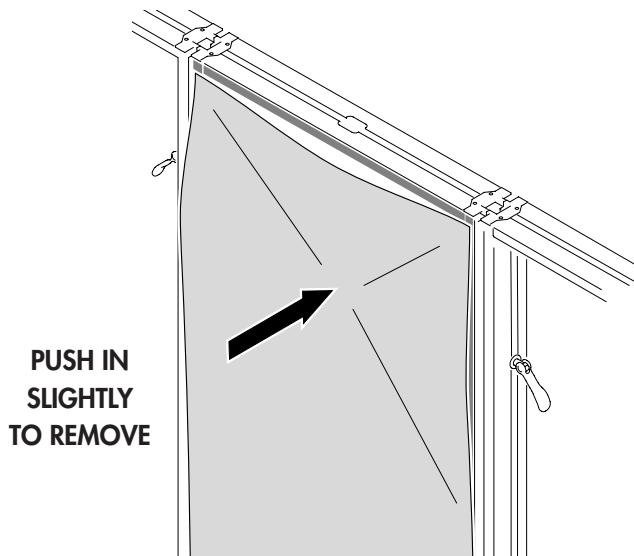
Ensure structural integrity of hardware before installing any LED tiles or electronic components. Review entire design instructions provided by your vendor for more information.

*PRG is an endorsed provider of products and services to Skyline and its network of dealers. For more information on PRG, visit: www.prg.com

Semi-Rigid/Rigid Panel/Frosted Panel



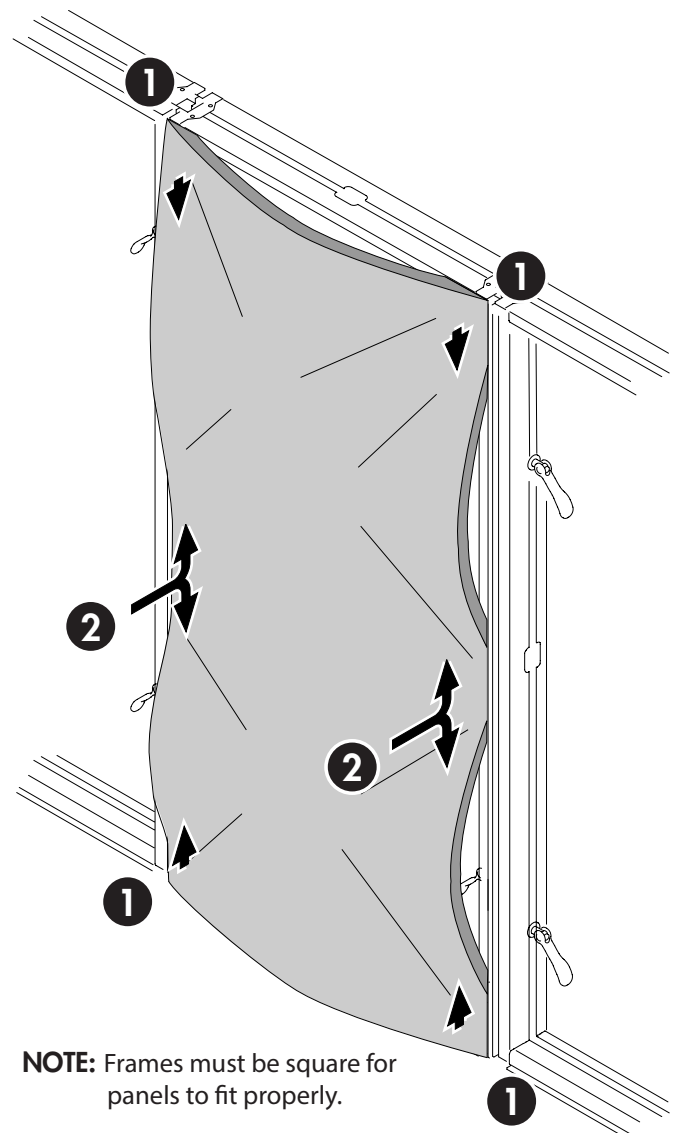
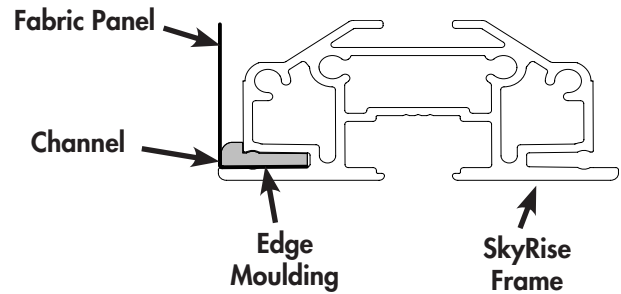
NOTE: Frames must be square for panels to fit properly. Panels should be handled with care, and not lifted by the corners. Two hands needed for handling and installing panels.



PUSH IN SLIGHTLY TO REMOVE

Fabric Panel

1. Start at the corners of the assembly. Work the edge moulding into the channel through the entire corner.
2. Press the edge moulding into the channel near the middle edge of the frame.
3. Fit the edge moulding into the rest of the channel, working from the corners inward and the middle outward, smoothing the fabric as you go.

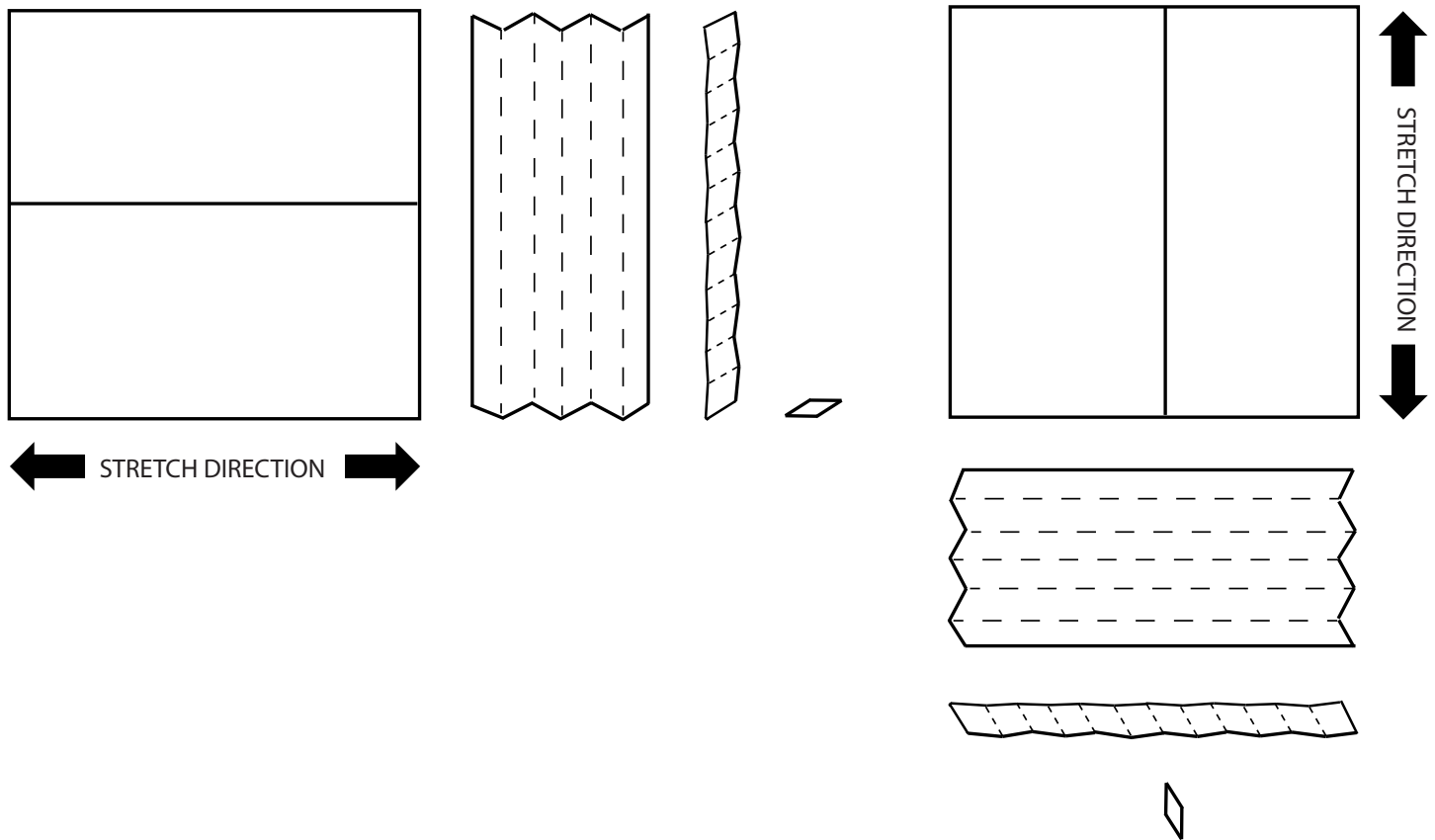


NOTE: Frames must be square for panels to fit properly.

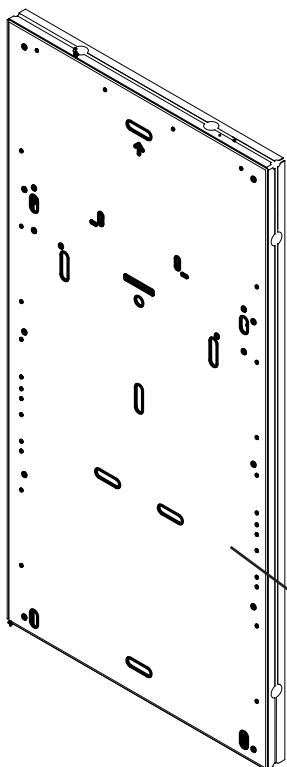
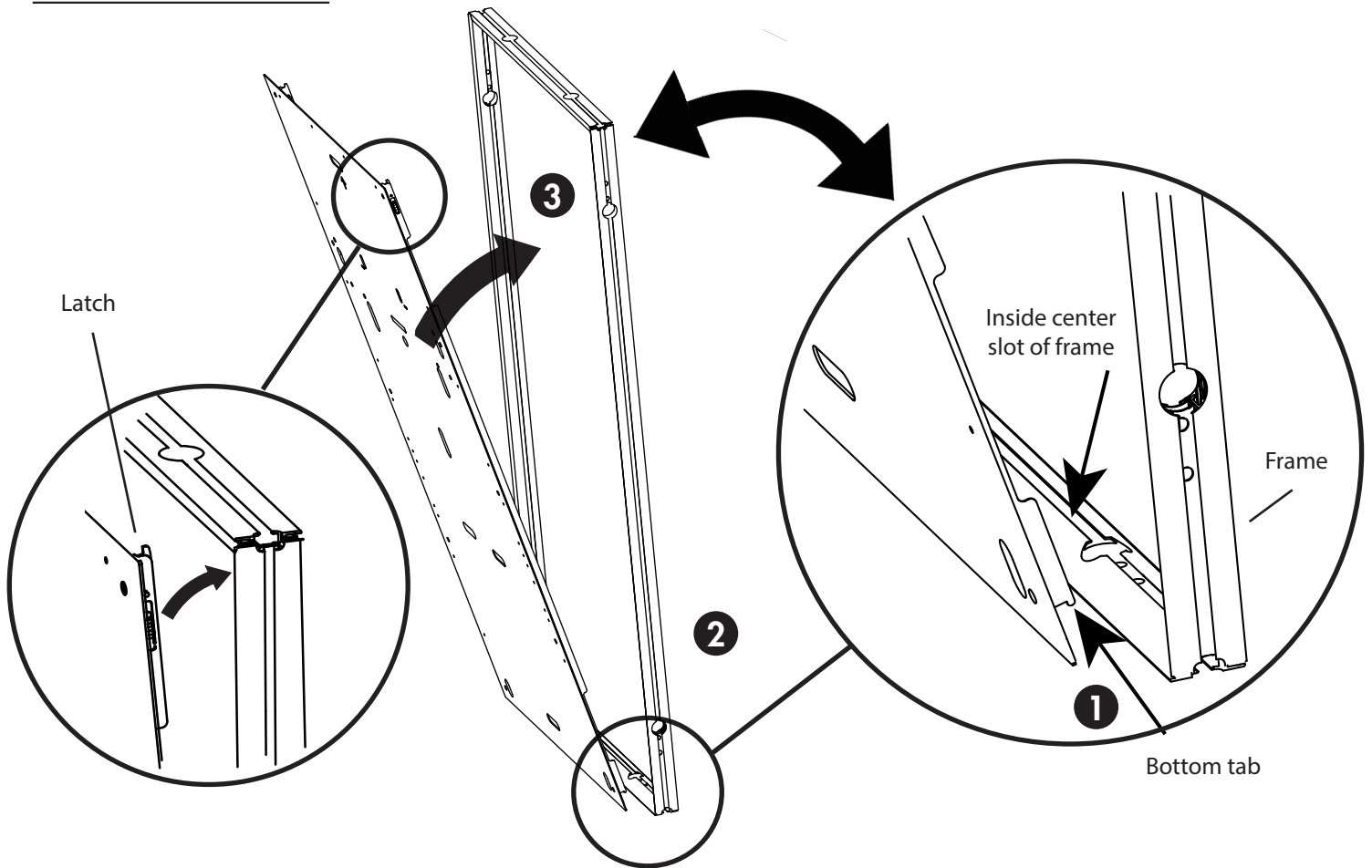
Backlit Graphic Folding

Stella Care & Folding for SkyRise

Stella backlit graphics typically release any wrinkles when applied to the display frame. The slight stretch of the fabric pulls out wrinkles. However, if wrinkles persist use an iron or steam on the fabric while on the frame. To pack Stella graphics for SkyRise first fold in the direction of the fabric stretch which will be the length of the fabric, next fold the width of the graphic and place in provided plastic bag.

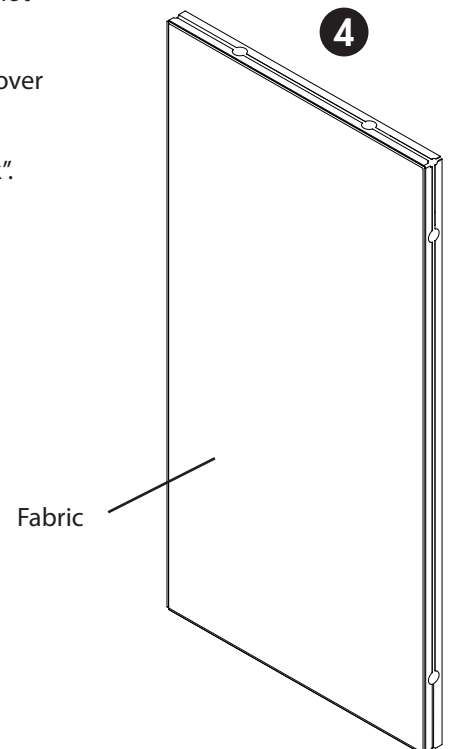


Hard Board Panel

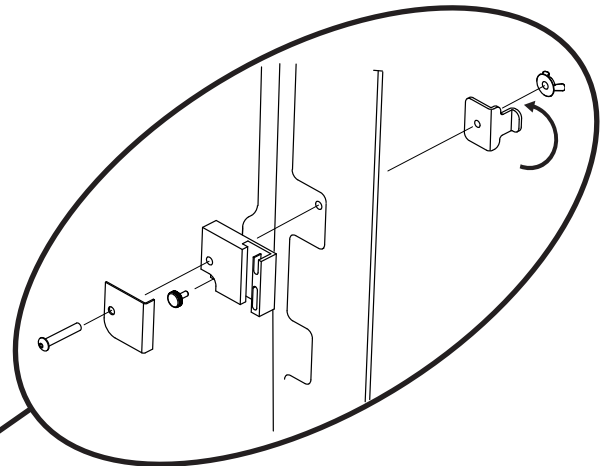
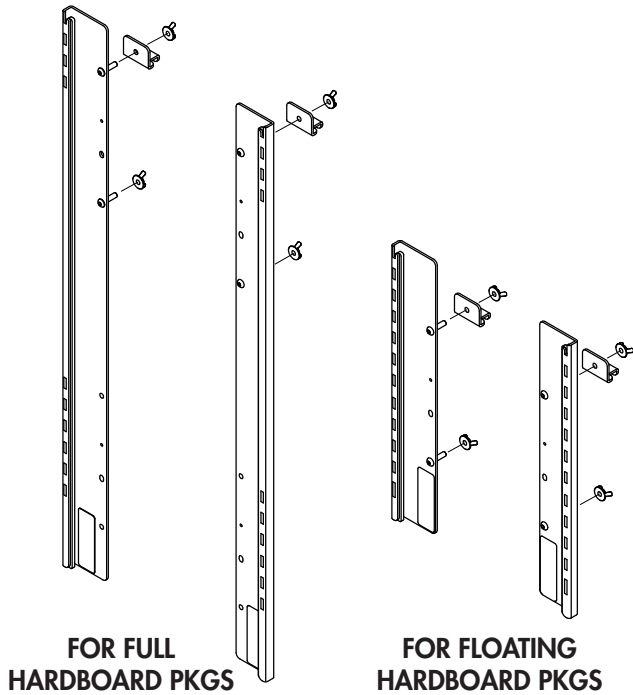


Installed hard panel on frame.

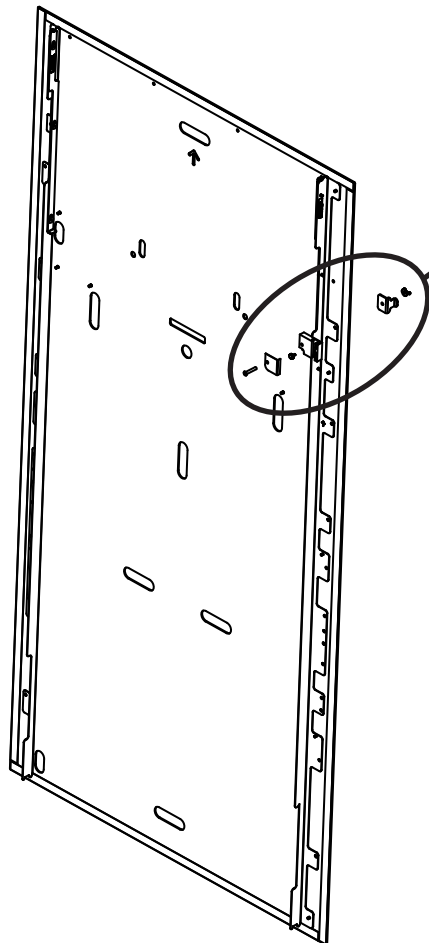
- 1** Insert bottom tabs of hard panel into center slot of SkyRise frame.
- 2** Align panel side to side, making sure not to cover fabric slots on each side of frame.
- 3** Tilt up and press into frame until latches "click".
- 4** Attach fabric to frame as normal.



Accessory Unlit Hardboard Mount

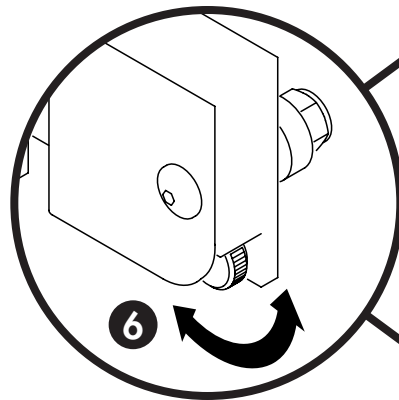
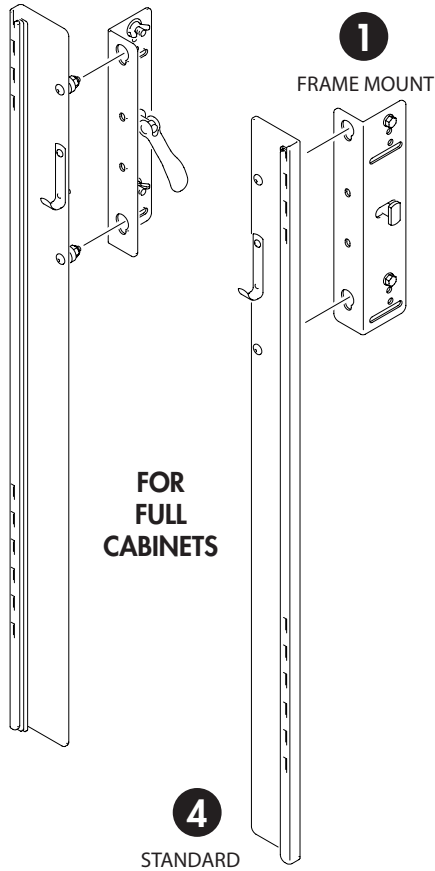
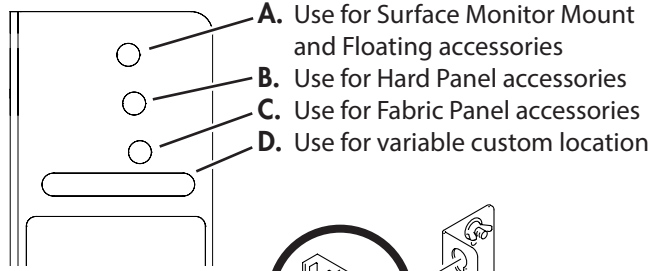


Spin bracket up to horizontal position and tighten thumb screws after installing board to lock into SkyRise center groove.

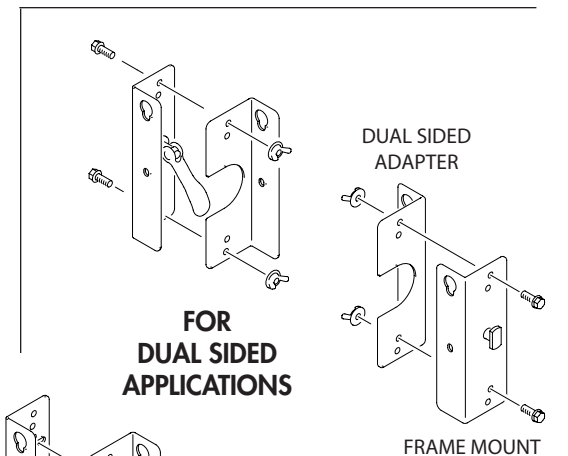
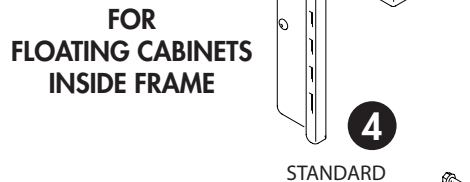
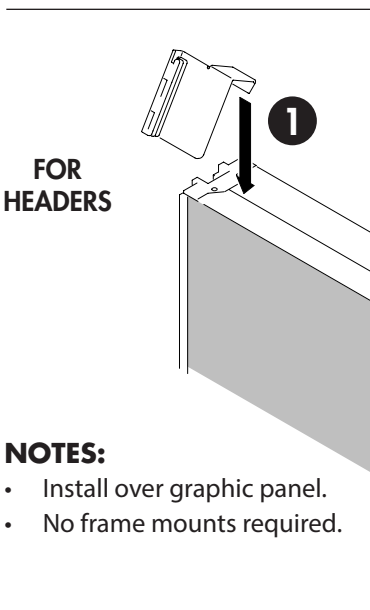
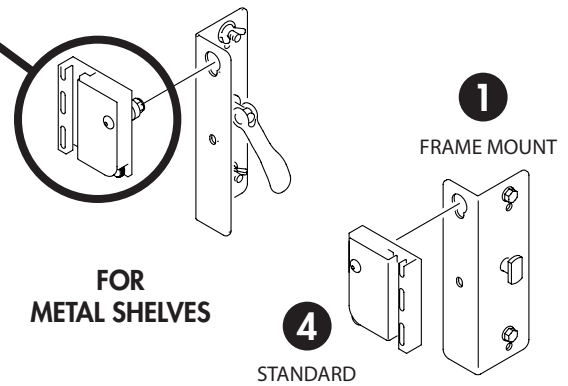
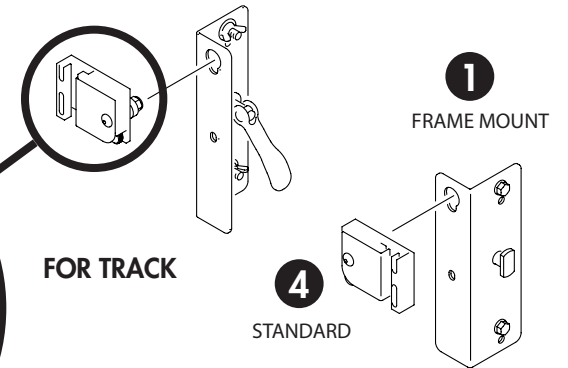


Accessory Mounts (Attaching Directly to Frames)

1. Select correct bolt and wing nut location for desired accessory type.
2. Install frame mounts in frame at correct height.
3. Install graphic/panel.
4. Cut holes as necessary.
5. Install standard.
6. Install accessory.
7. Adjust Track and Shelf Mounts for sag.



NOTE: Lift front of Track or Shelf slightly and turn thumbscrew as needed to adjust for sag.



NOTES:

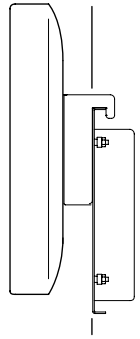
- Install over graphic panel.
- No frame mounts required.

Monitor Mounts on Frames

SURFACE MOUNTING

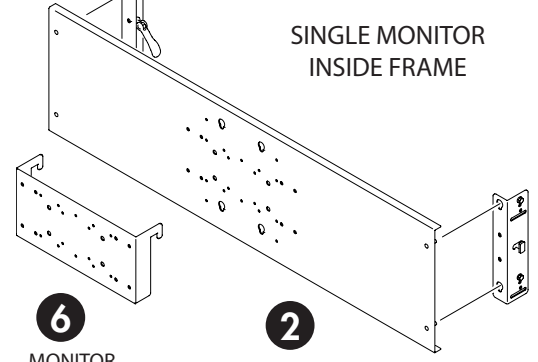
1. Install frame mounts in frame at correct height.
2. Install monitor plate (under graphic/panel).
3. Install graphic/panel.
4. Trim graphic/panel for monitor bracket.
5. Install monitor bracket to monitor.
6. Hook monitor over monitor plate.

SURFACE MOUNTING



1 FRAME MOUNT

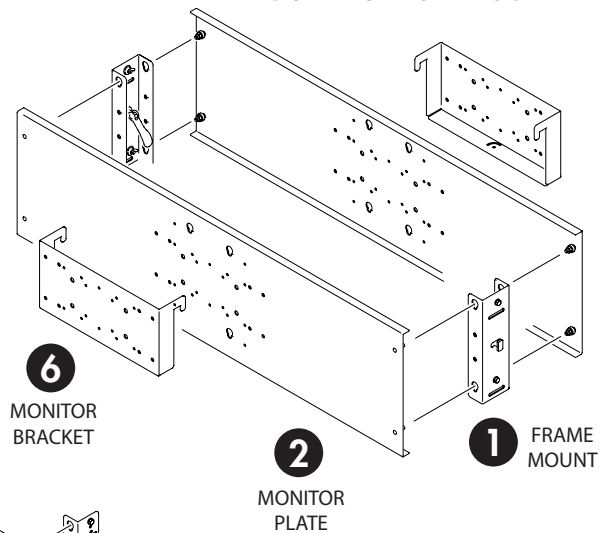
SINGLE MONITOR
INSIDE FRAME



6 MONITOR BRACKET

2 MONITOR PLATE

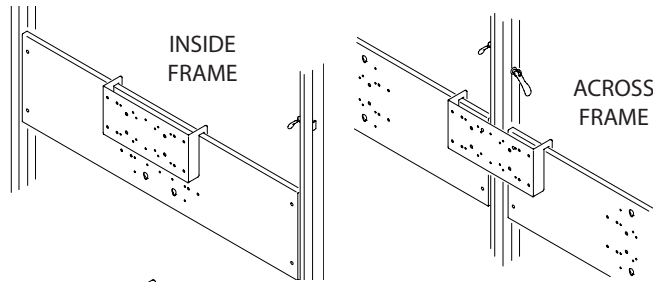
DUAL MONITOR - INSIDE FRAME



6 MONITOR BRACKET

2 MONITOR PLATE

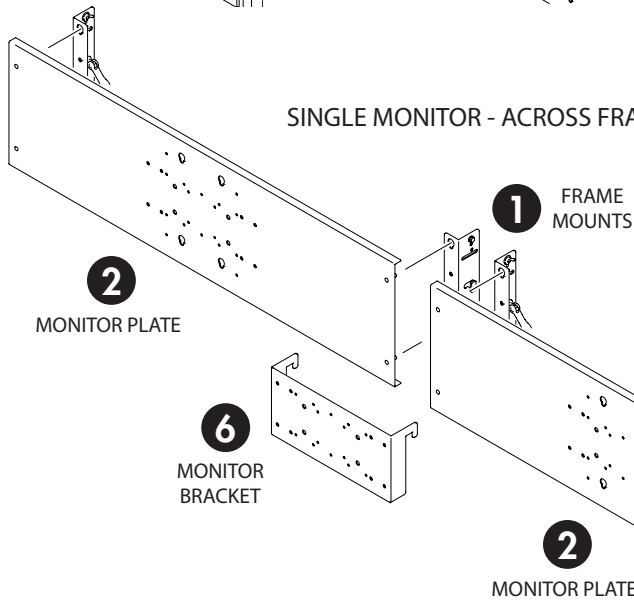
1 FRAME MOUNT



INSIDE FRAME

ACROSS FRAME

SINGLE MONITOR - ACROSS FRAME



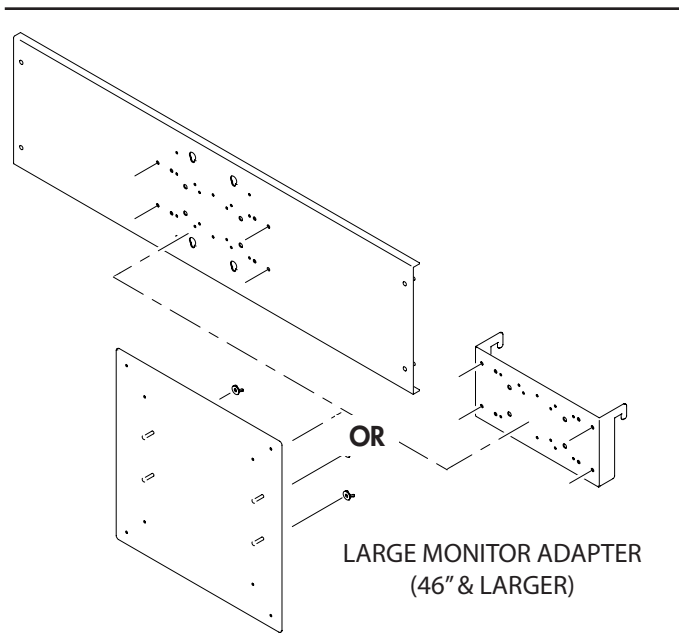
1 FRAME MOUNTS

2 MONITOR PLATE

6 MONITOR BRACKET

2 MONITOR PLATE

1 FRAME MOUNT



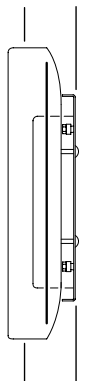
OR

LARGE MONITOR ADAPTER
(46" & LARGER)

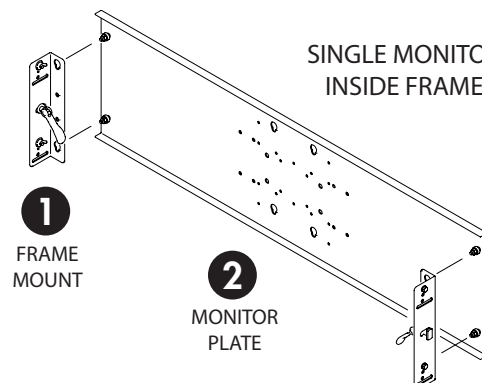
FLUSH MOUNTING (If purchased before August 2009)

1. Install frame mounts in frame at correct height.
2. Install monitor plate
3. Install monitor to monitor plate.
4. Install graphic/panel.
5. Trim graphic/panel for monitor bracket.

FLUSH MOUNTING



SINGLE MONITOR
INSIDE FRAME

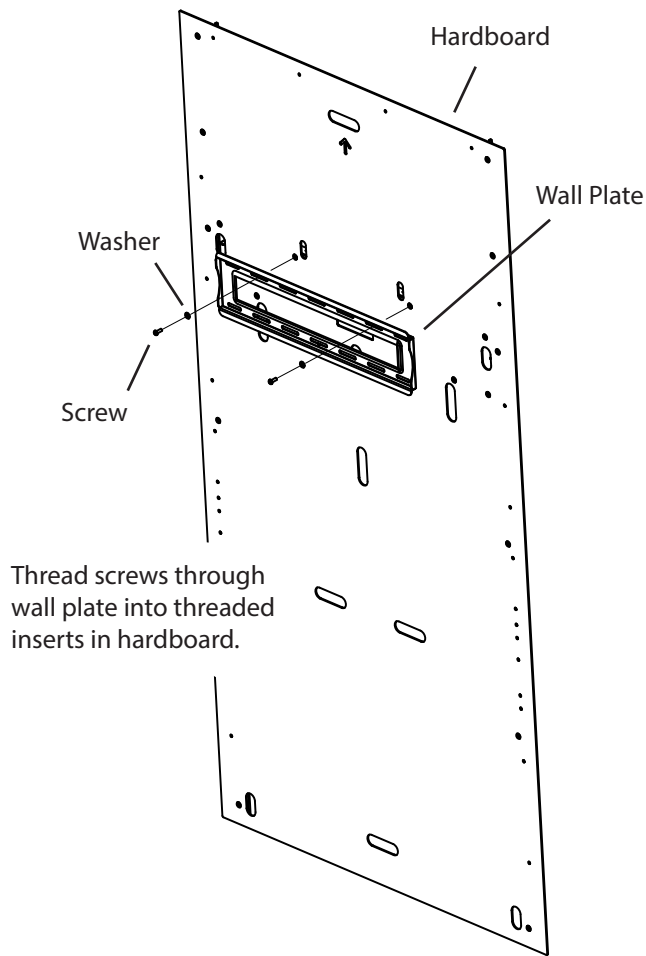


1 FRAME MOUNT

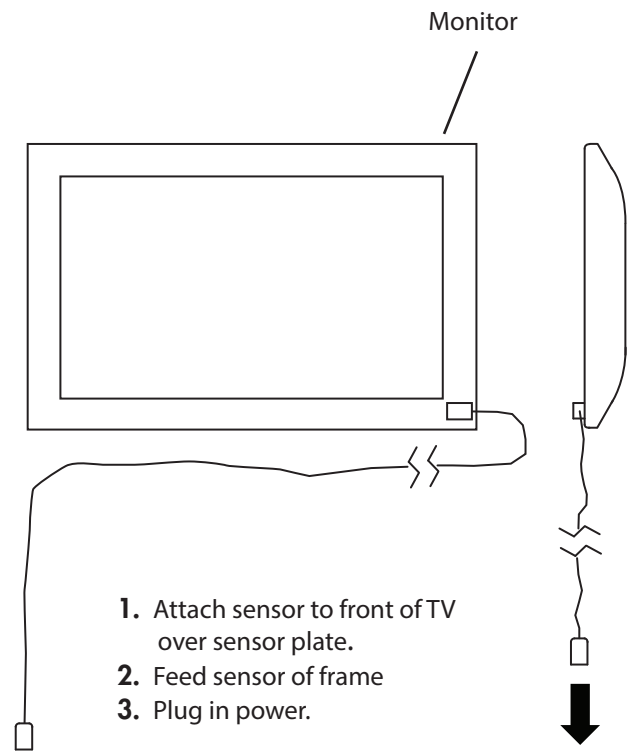
2 MONITOR PLATE

Monitor Mounts on Unlit Hard Board

Monitor onto hardboard

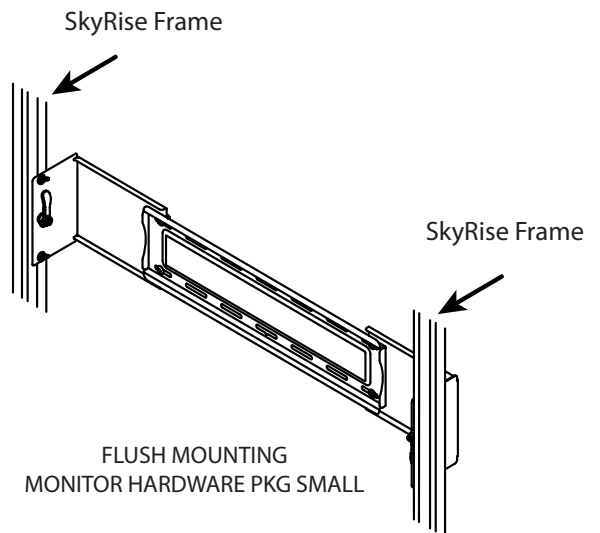
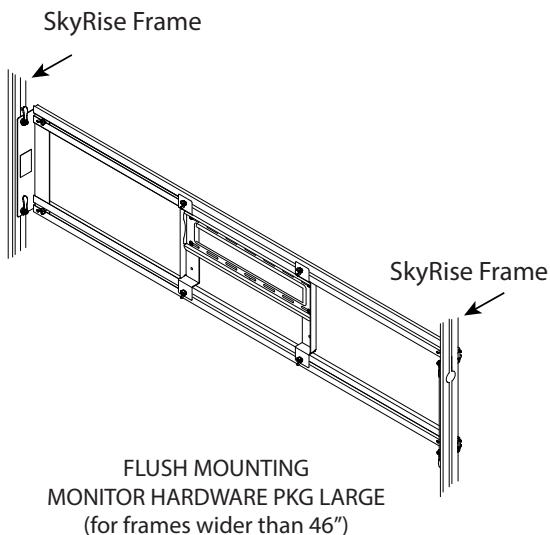


IR Monitor Sensor



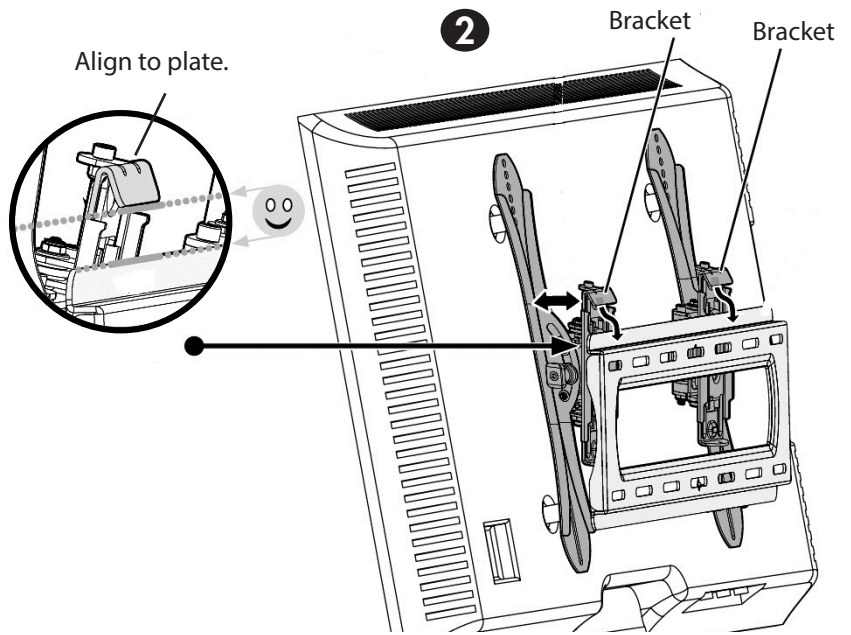
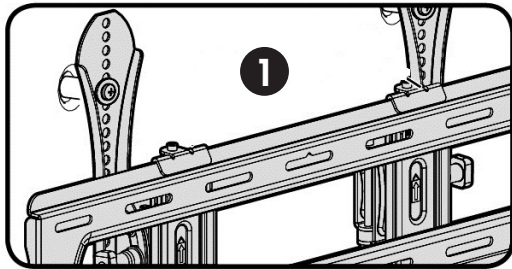
Use if front of monitor bezel will be covered with fabric or a frame.

Flush Monitor Mounts



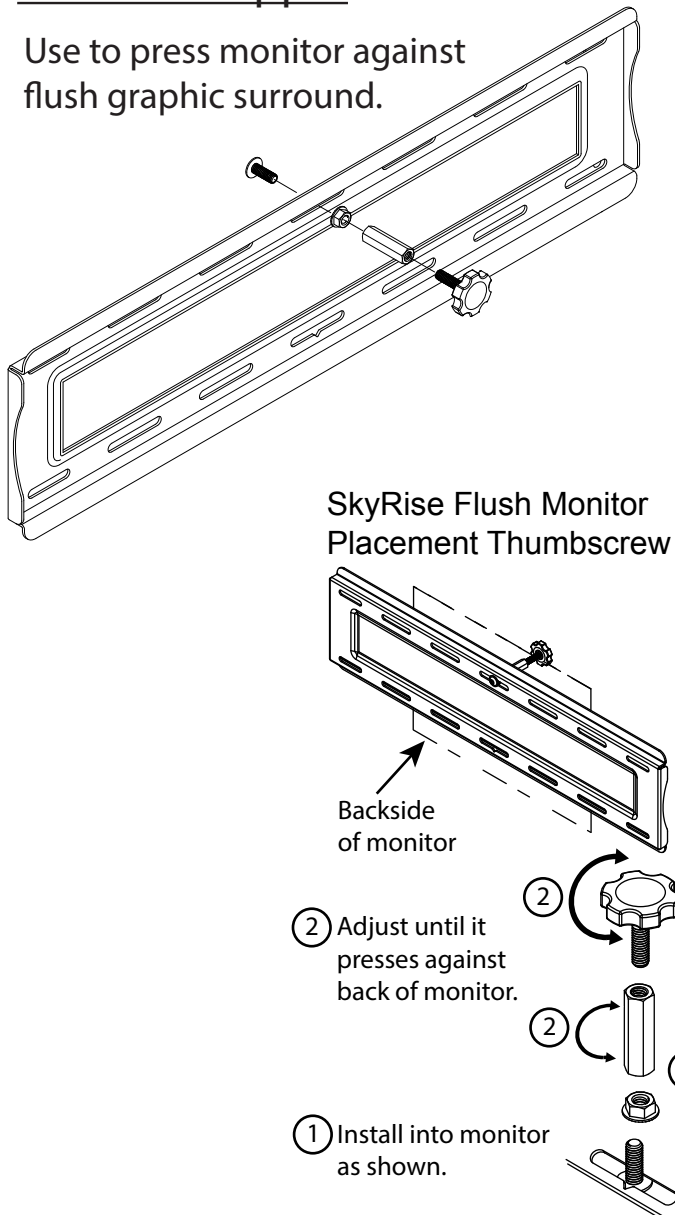
Monitor Mount

- 1 Attach monitor plate.
- 2 Hang monitor to bracket.

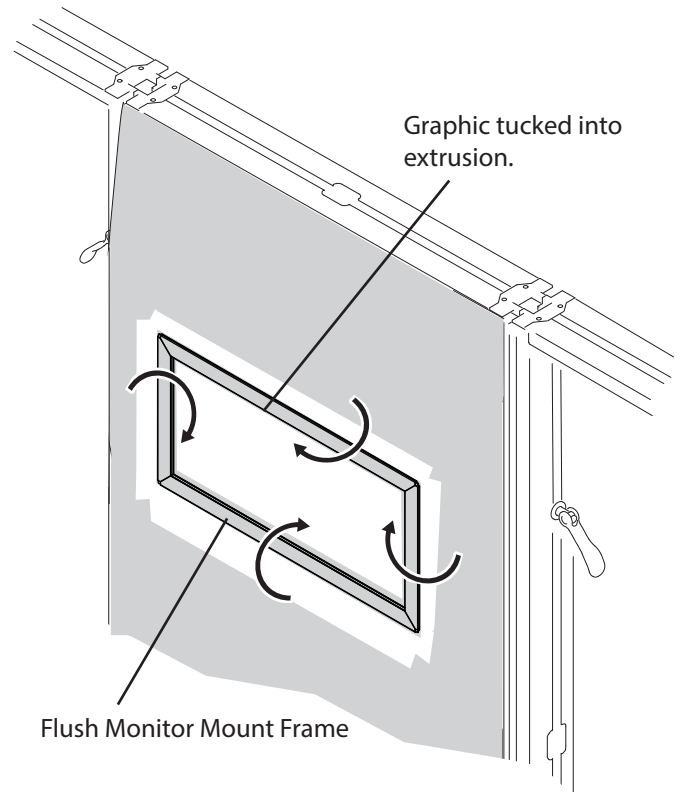


Monitor Stopper

Use to press monitor against flush graphic surround.



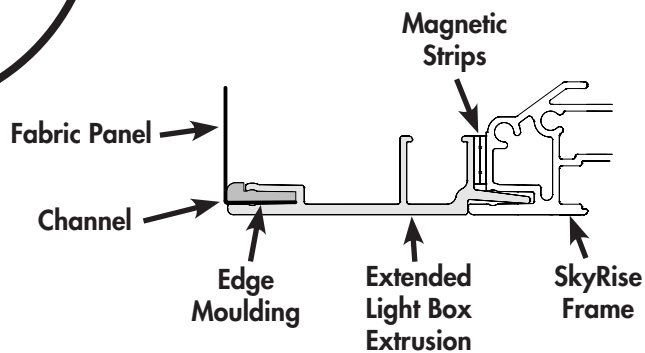
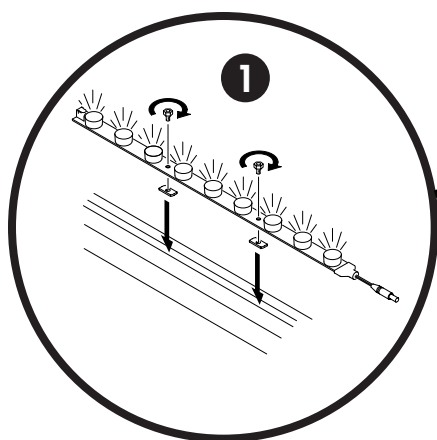
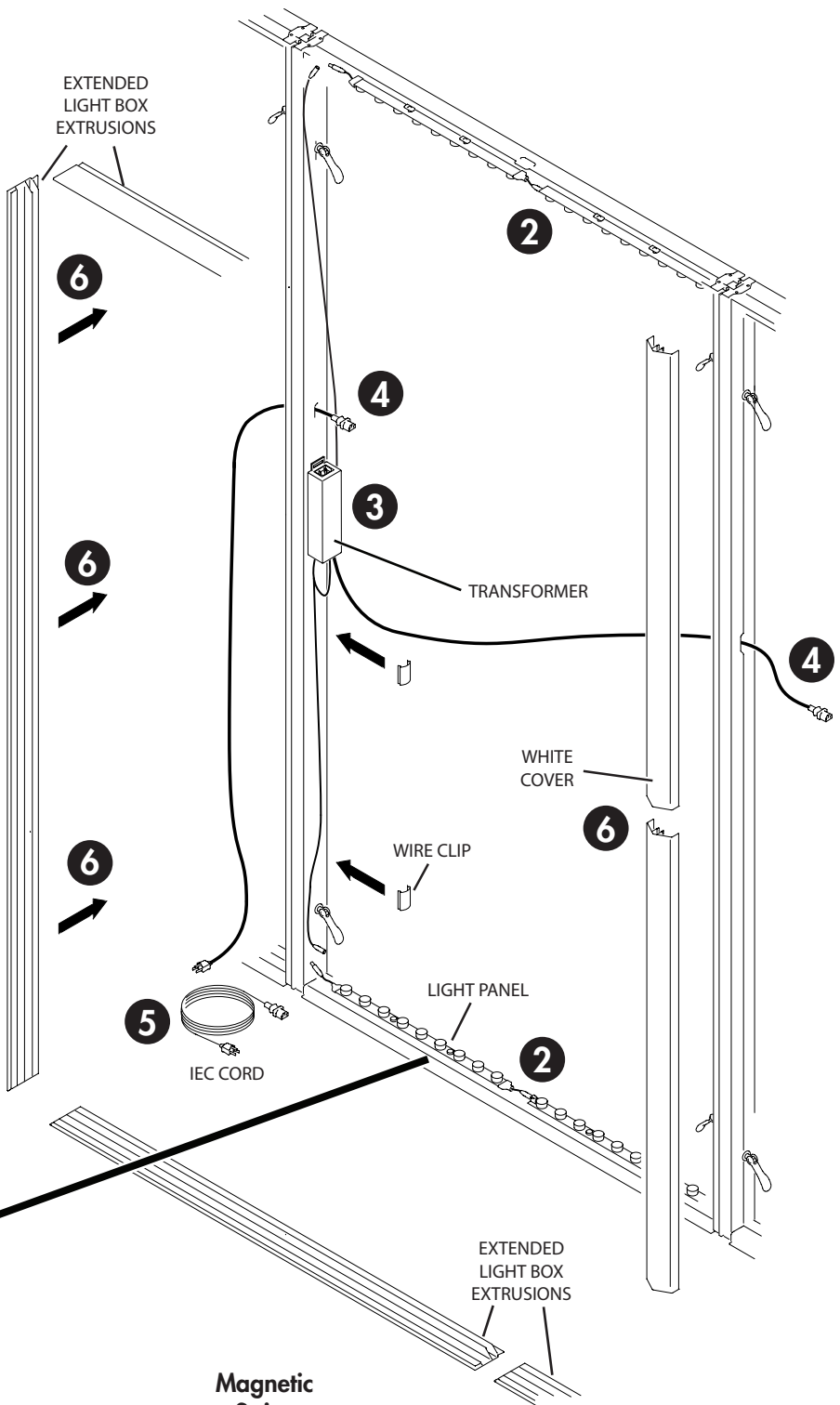
Graphic Installation



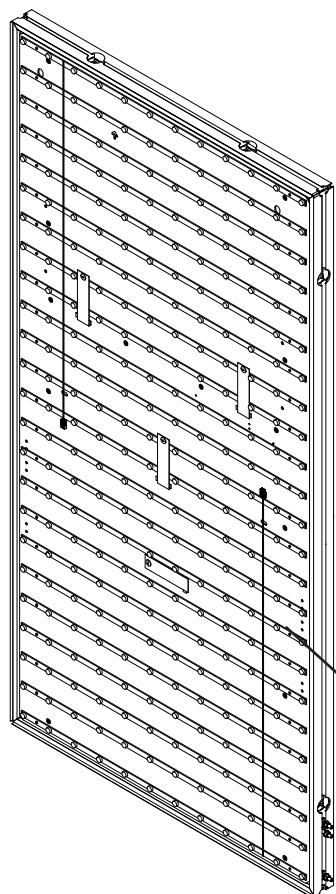
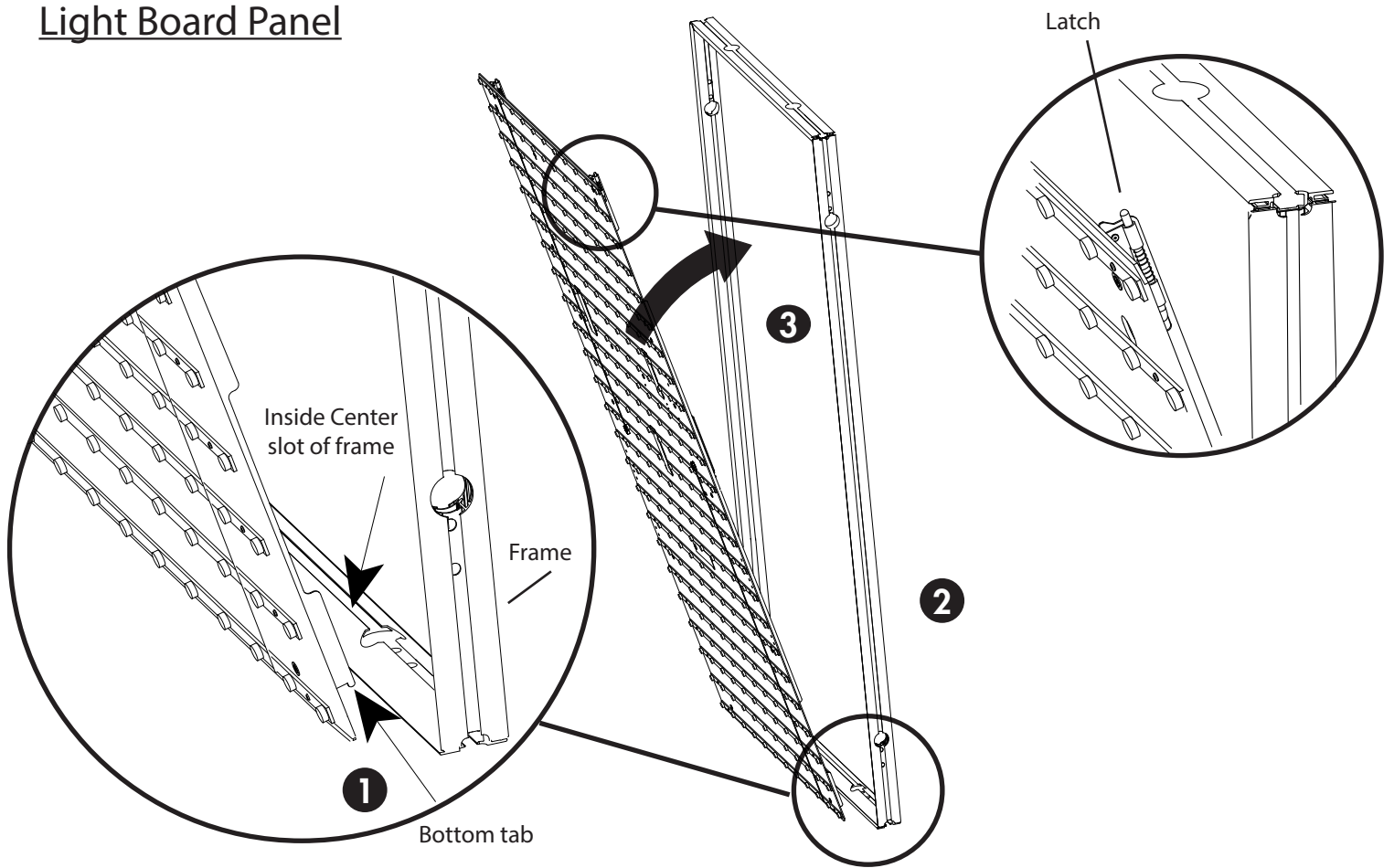
Backlit Edge Lit Packages

SINGLE FRAME

1. Attach light panels to frame with nylon nut and swivel plates.
2. Connect light together.
3. Install transformer with allenut and swivel plate.
- 4a. For a single frame light box: Route end of IEC cord through opening in frame and connect to transformer. Store US IEC and male and female IEC cords in bag, if not in use.
- 4b. For a multi-frame light box: Route end of male and female cords through opening in frame and connect to transformer. Daisy chain multiple male and female IEC cords as needed.
5. Connect the IEC cord to a grounded AC outlet.
6. Install **extended light box extrusions** as desired into frame against magnetic strip. Install **white covers** over vertical frames inside the light box.
7. Install graphic.

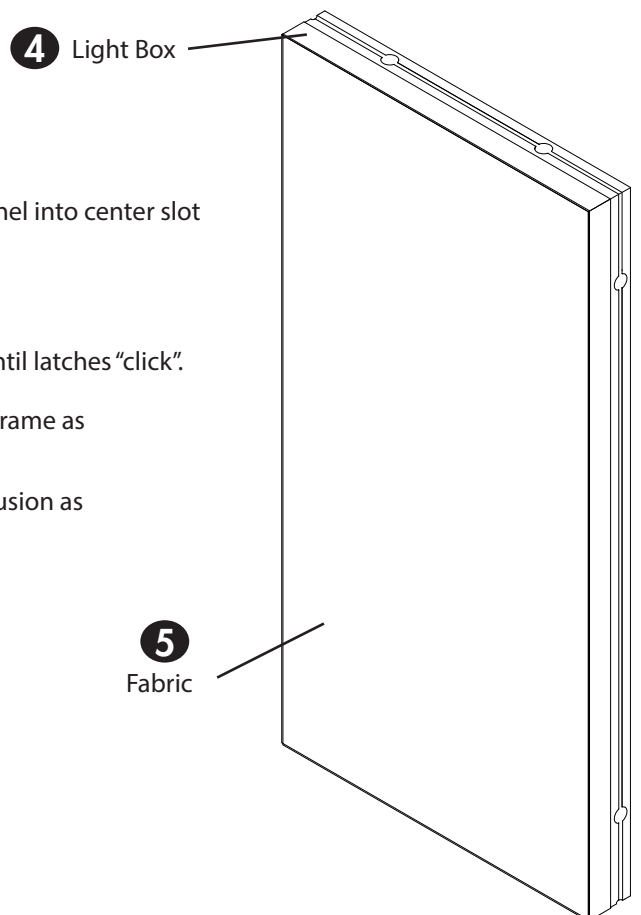


Light Board Panel



- 1** Insert bottom tabs of hard panel into center slot of SkyRise frame.
- 2** Align panel side to side.
- 3** Tilt up and press into frame until latches “click”.
- 4** Attach light box extrusion to frame as normal. (Reference page 27)
- 5** Attach fabric to light box extrusion as normal.

Installed backlit panel on frame.



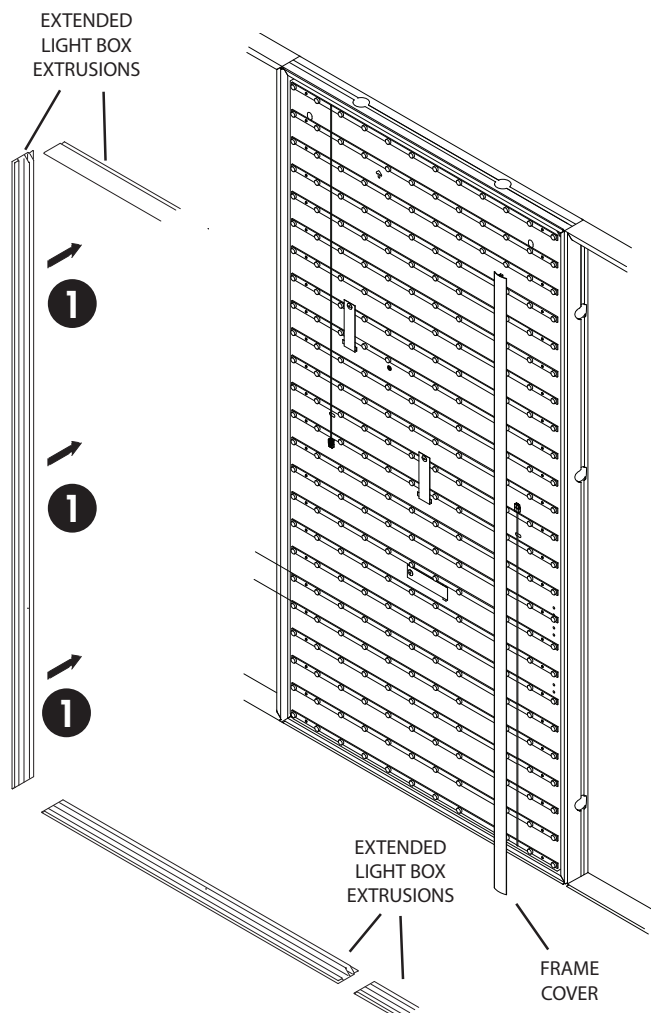
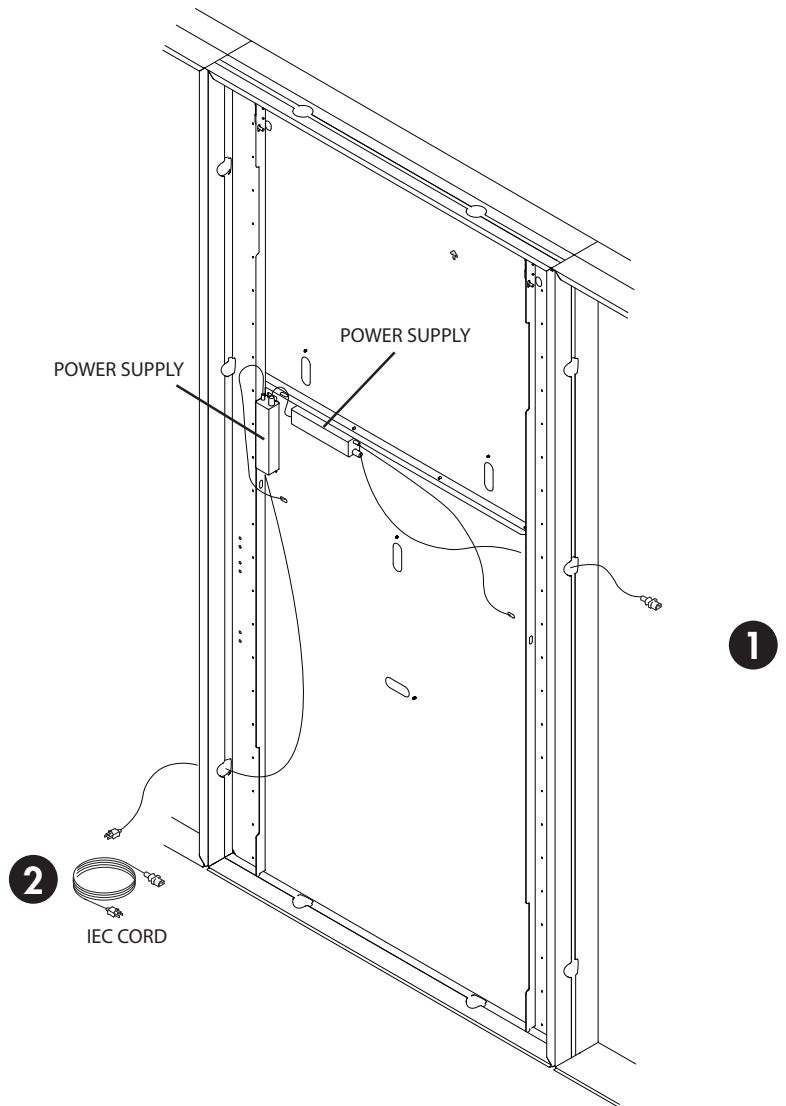
Backlit Light Board Packages

POWERING LIGHT BOARDS

- 1a. For a single frame light box: Route end of IEC cord through opening in frame and connect to power supply. Store US IEC and male and female IEC cords in bag, if not in use.
- 1b. For a multi-frame light box: Route end of male and female cords through opening in frame and connect to power supply. Daisy chain multiple male and female IEC cords as needed.

Do not connect/chain together more than 6 power supplies.

2. Connect the IEC cord(s) to a grounded AC outlet.
3. Install graphic.



EXTENDED FRAME

1. Install **extended light box extrusions** into frame against magnetic strip. Install **frame covers** over vertical frames inside the light box.
2. Install graphic.

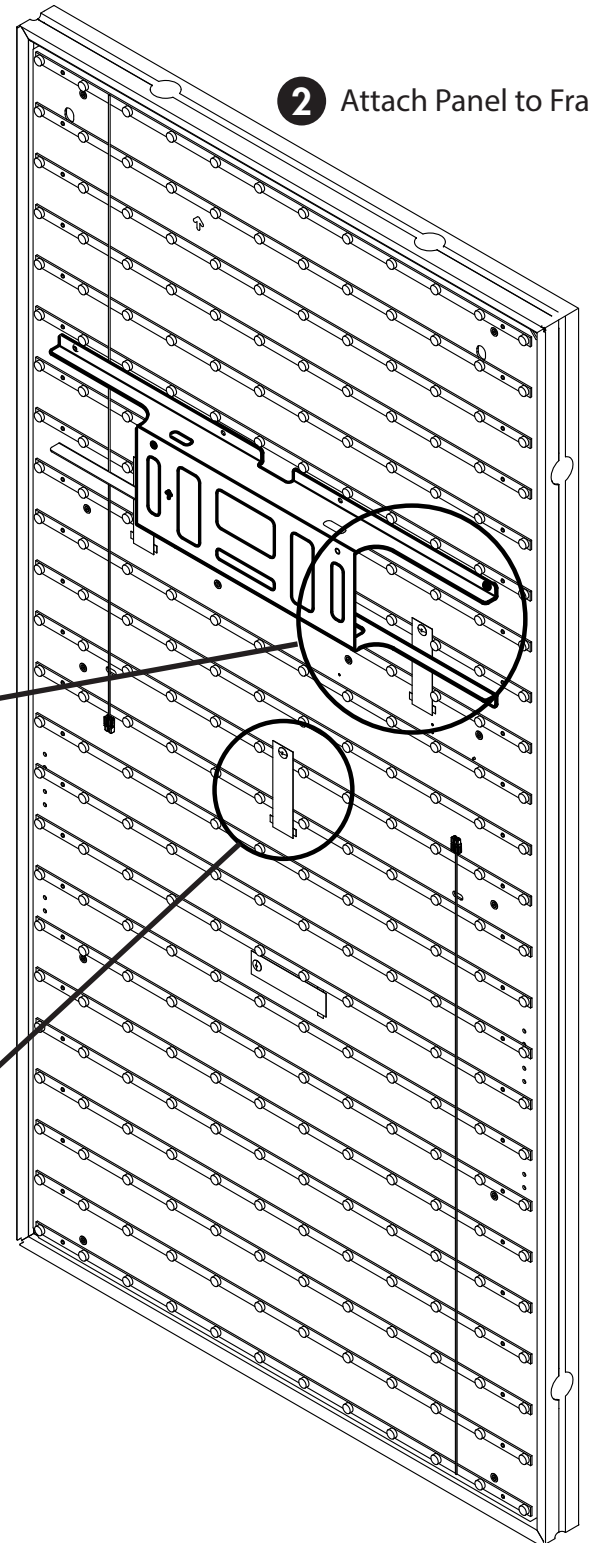
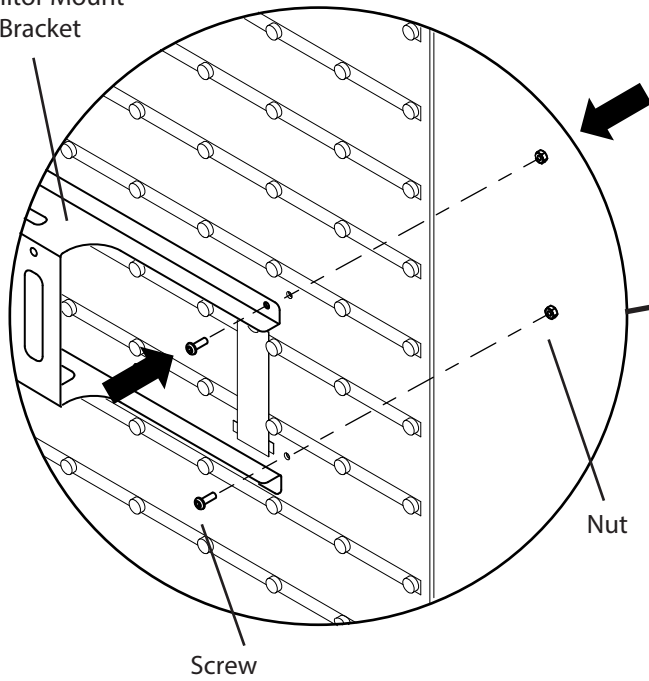
Monitor Mount on Light Board

Only one 67" height available.

2 Attach Panel to Frame

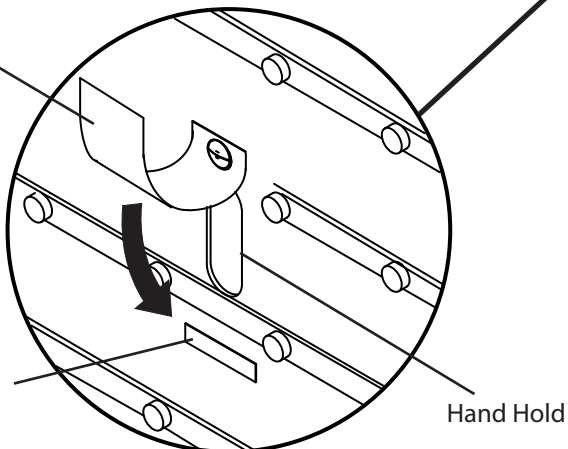
1 Attach Bracket

Monitor Mount
Bracket



3

Loop
Cover

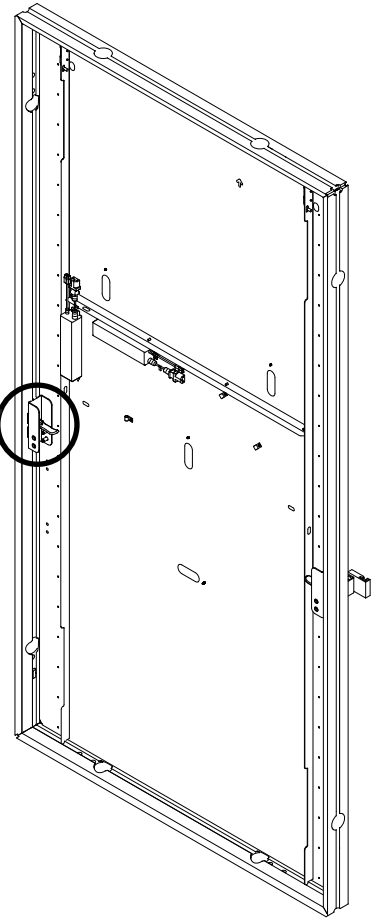
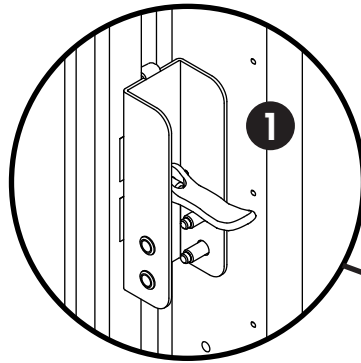


Secure hook and loop covers over hand holds after panel is mounted to frame.

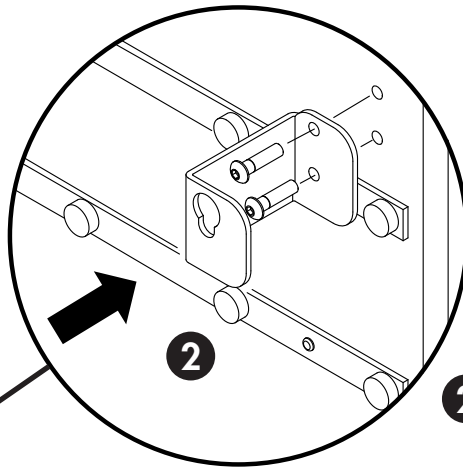
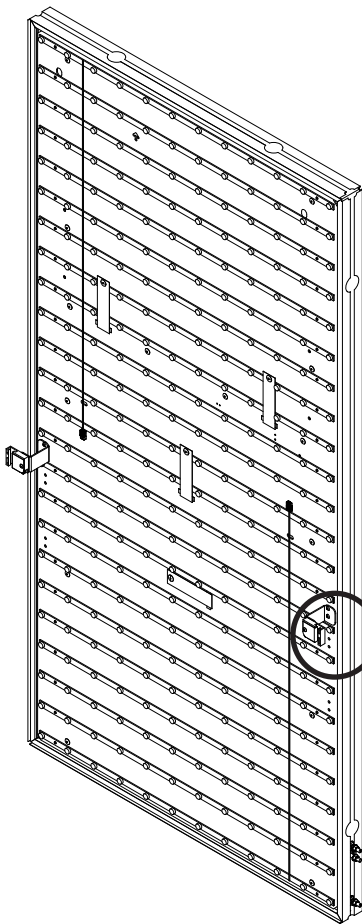
4 Attach Monitor to Mount

Light Board Accessory Mounts for Shelves, Tracks or Cabinets

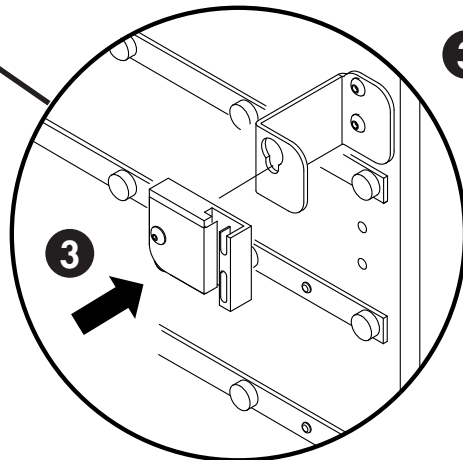
- 1** Attach SkyRise backlit double shelf assembly to frame lining up with holes in light panel. (1 per side for shelves and tracks, 2 per side for cabinets)



Holes for shelves are only at 40" counter height. Use top set of holes. For cabinets the top is at 40". Line up brackets with provided holes.



- 2** Screw in backlit ext bracket left and right. Left and right lasered R or L.



- 3** Attach Standard SkyRise Accessory Brackets through fabric cut.

Double Sided Light Board Panels

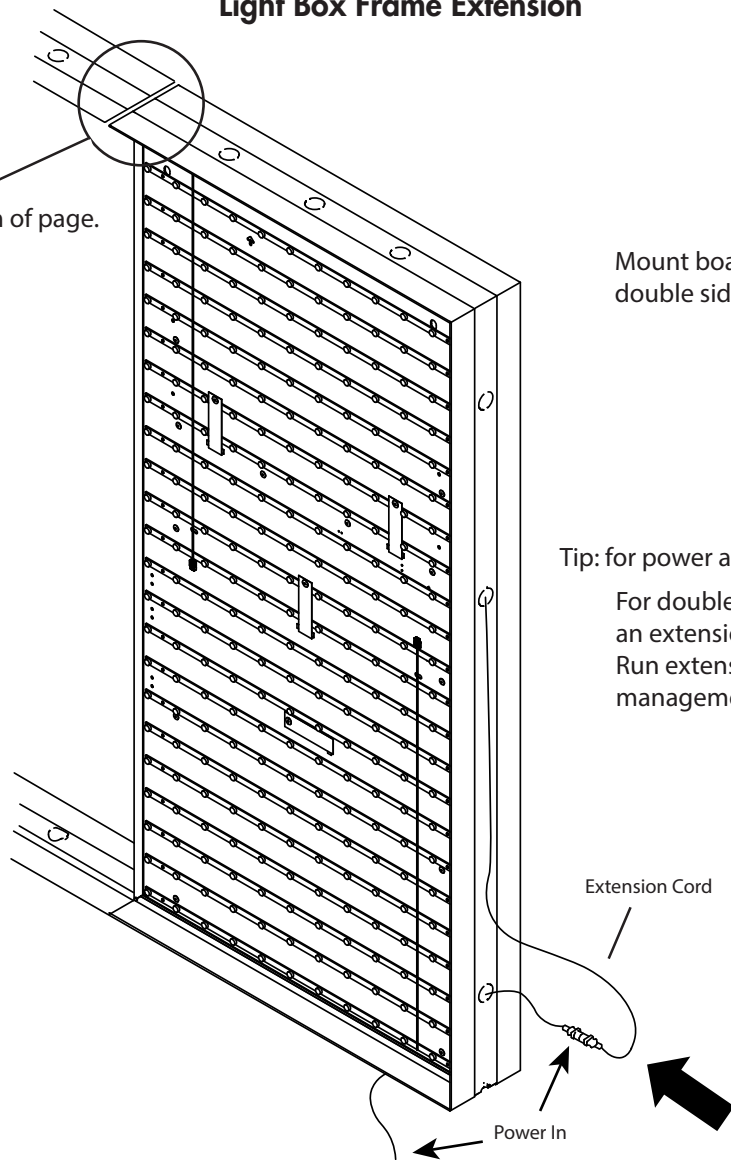
Light Box Frame Extension

Tape application
See views on bottom of page.

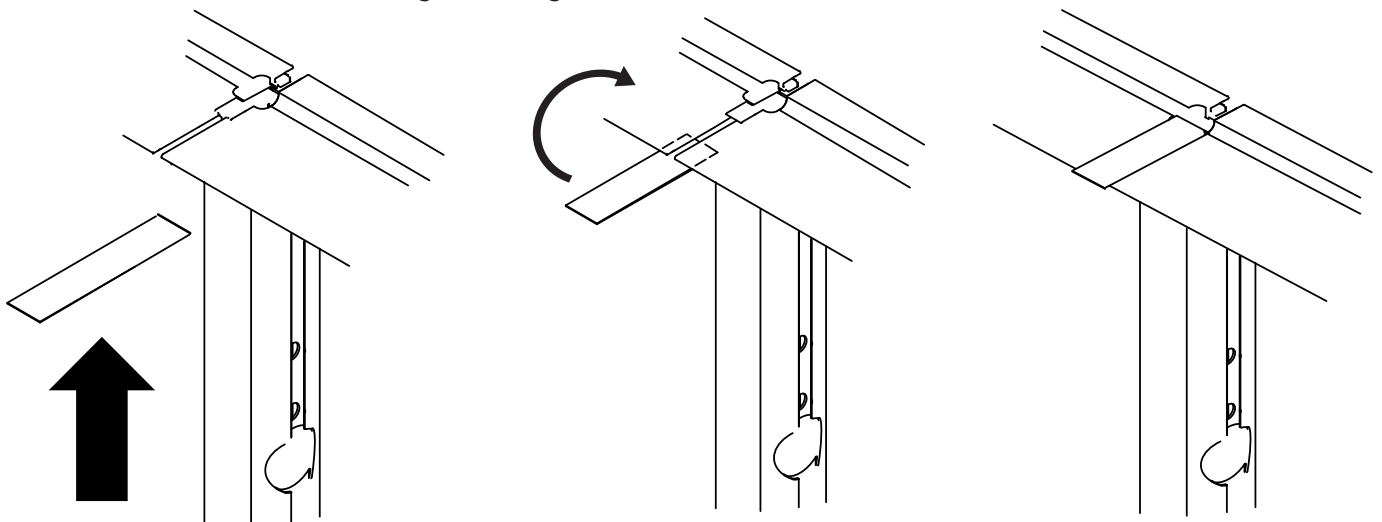
Mount boards on both sides for a double sided backlit display.

Tip: for power access:

For double sided applications, connect the power in to an extension cord, push connection back through hole. Run extension cord up frame and into another wire management hole.

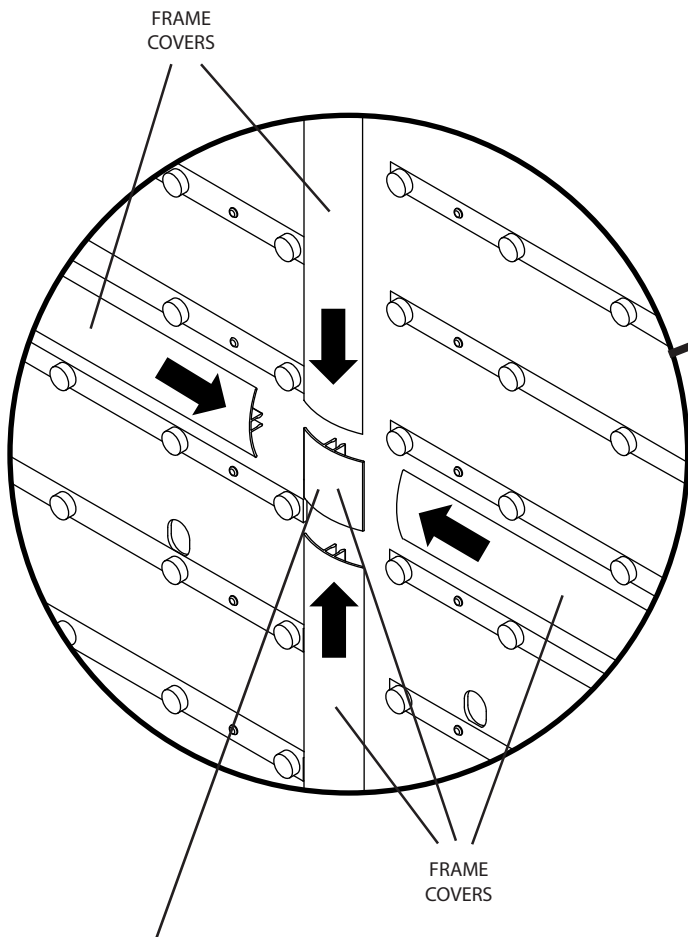
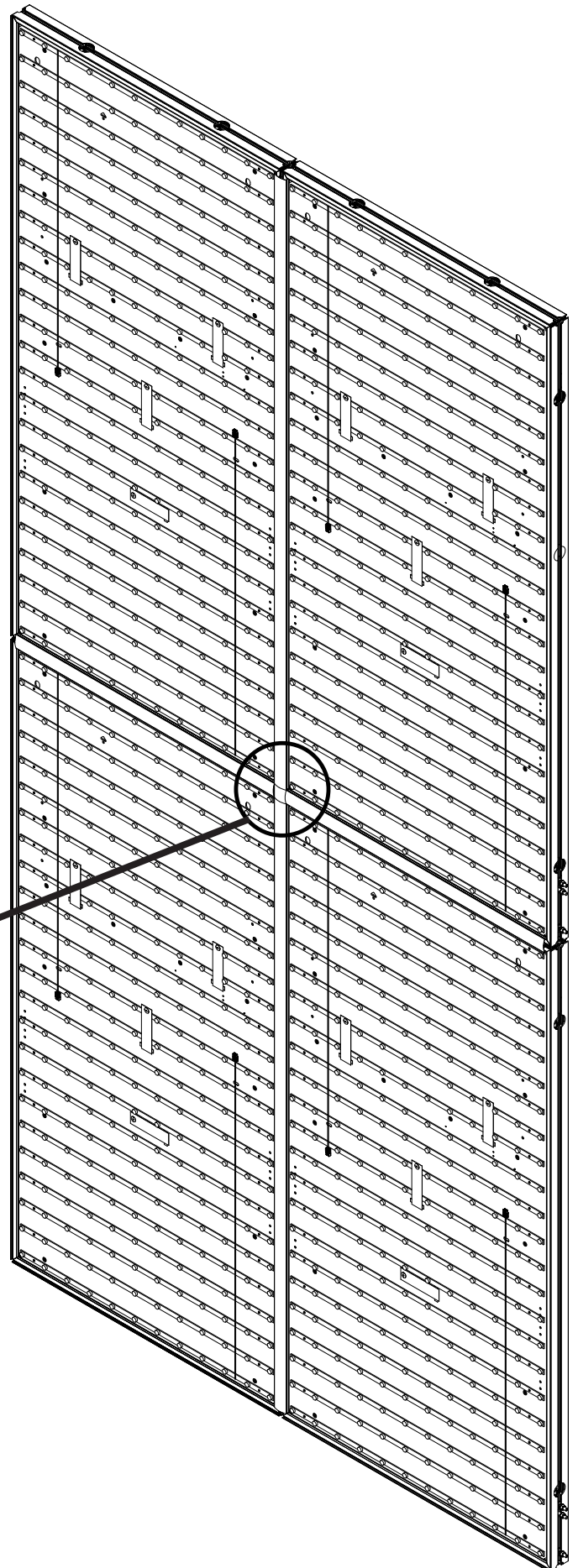


TAPE APPLICATION (to mask light leakage)



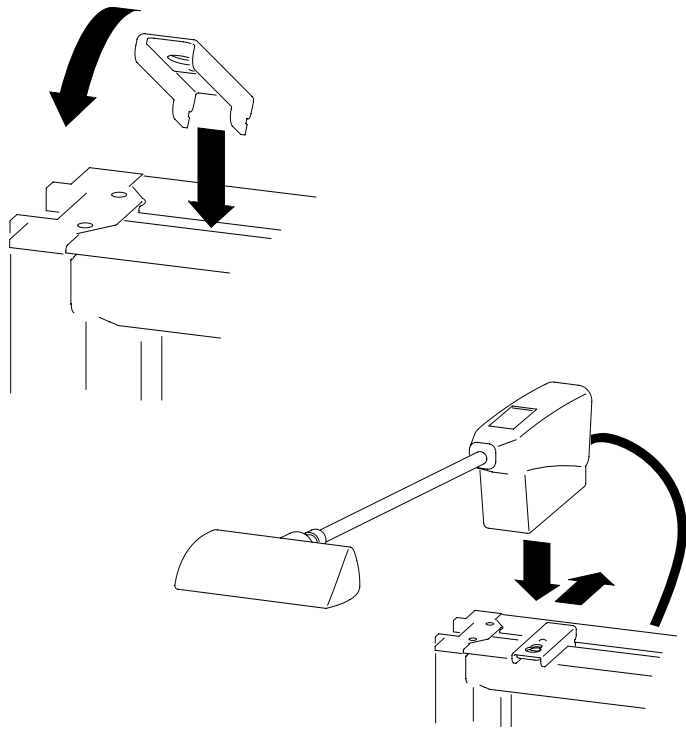
Light Board Panel Frame Covers

Snap on frame covers to prevent shadows.

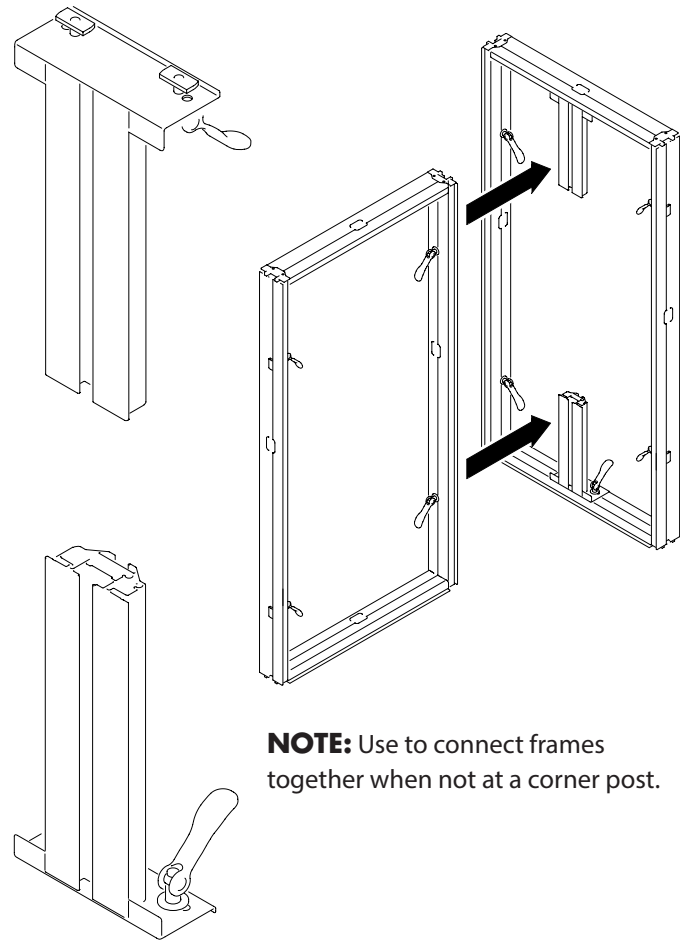


Small frame cover will stick out further than other covers.

Arm Light Bracket

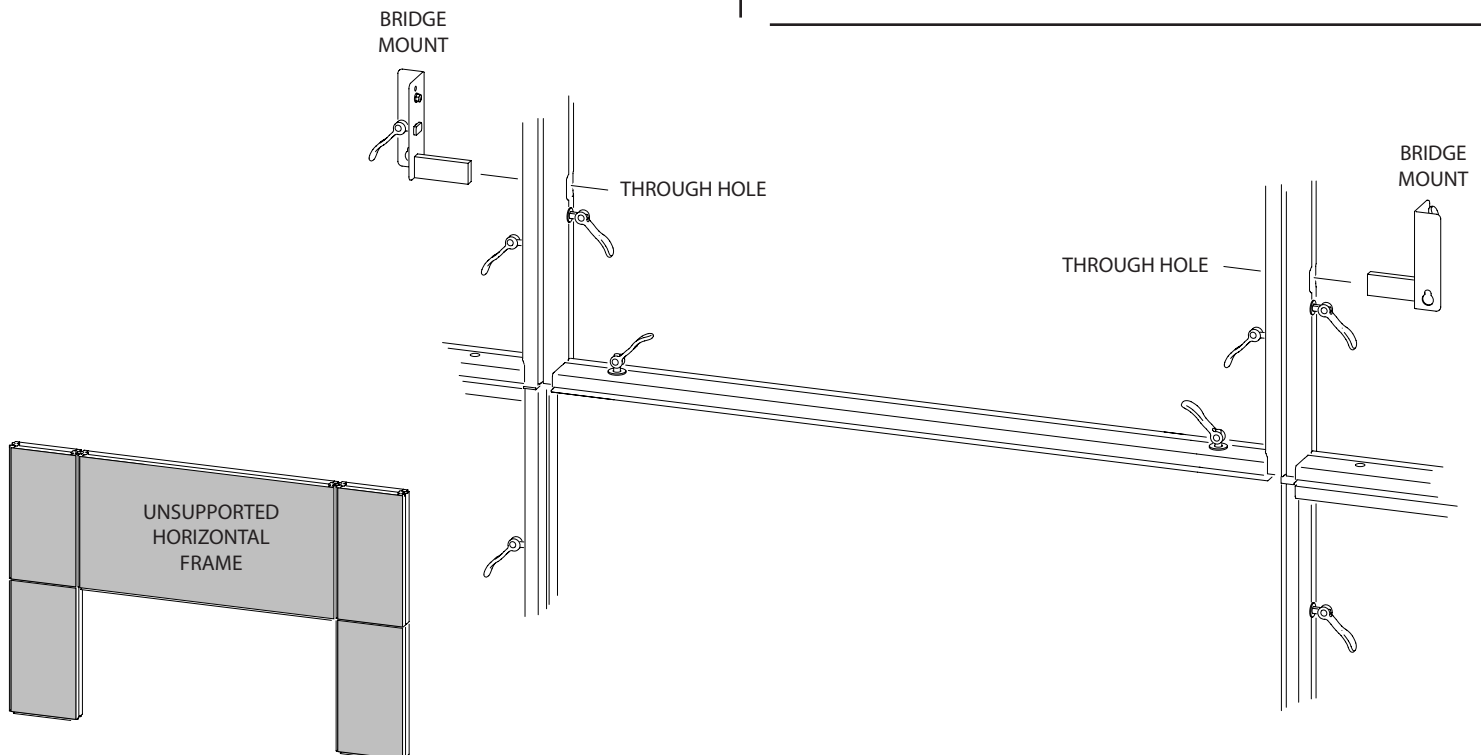


90° Frame Mount Package

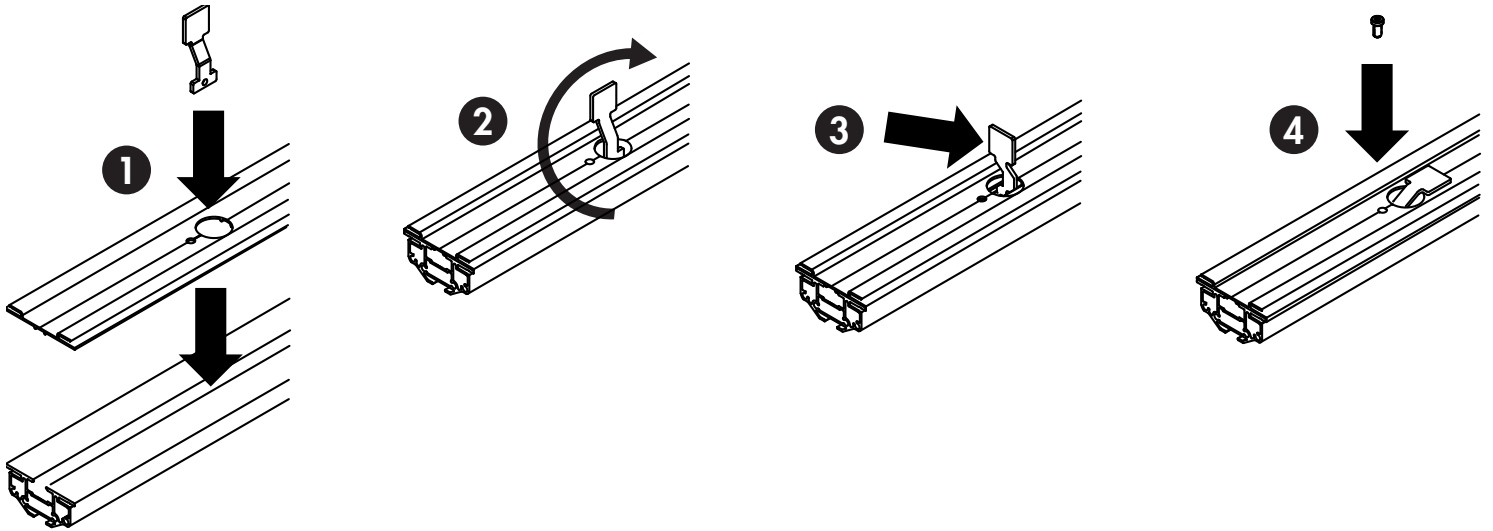


NOTE: Use to connect frames together when not at a corner post.

Bridge Frame Mount

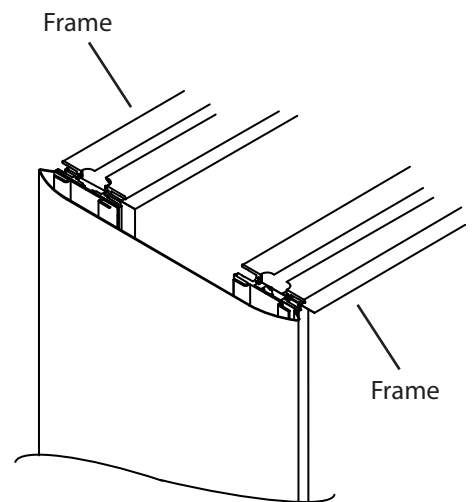
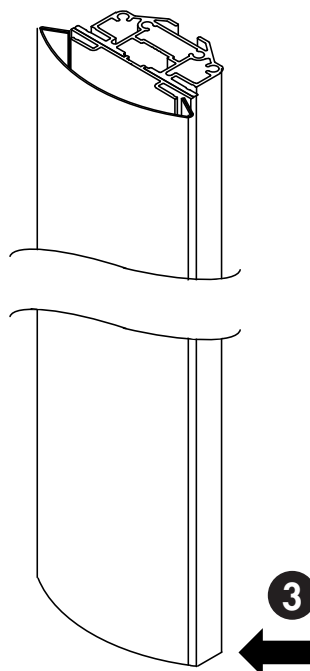
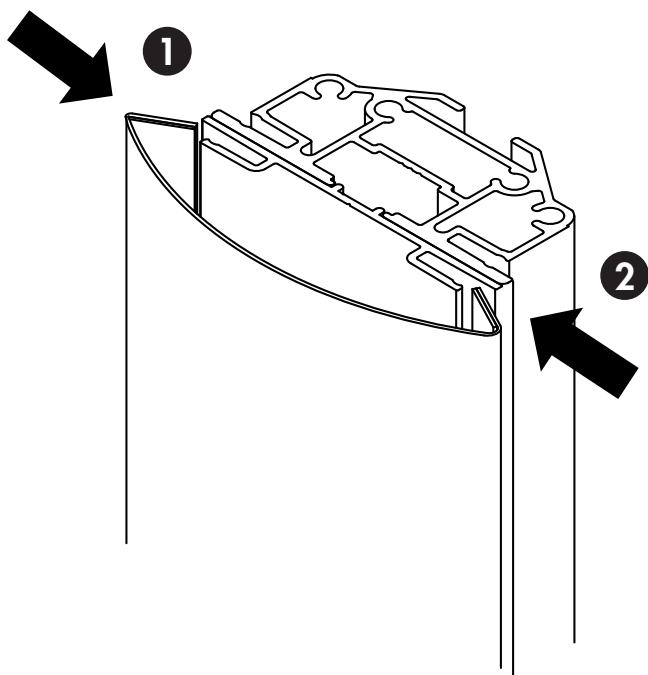


End Cap Extrusion Assembly (for End Fabric Graphic)



- 1 Push lock through hole.
- 2 Twist into SkyRise Channel.
- 3 Press handle down to extrusion.
- 4 Screw in Pan head screw. Use 1/8" Allen Wrench.

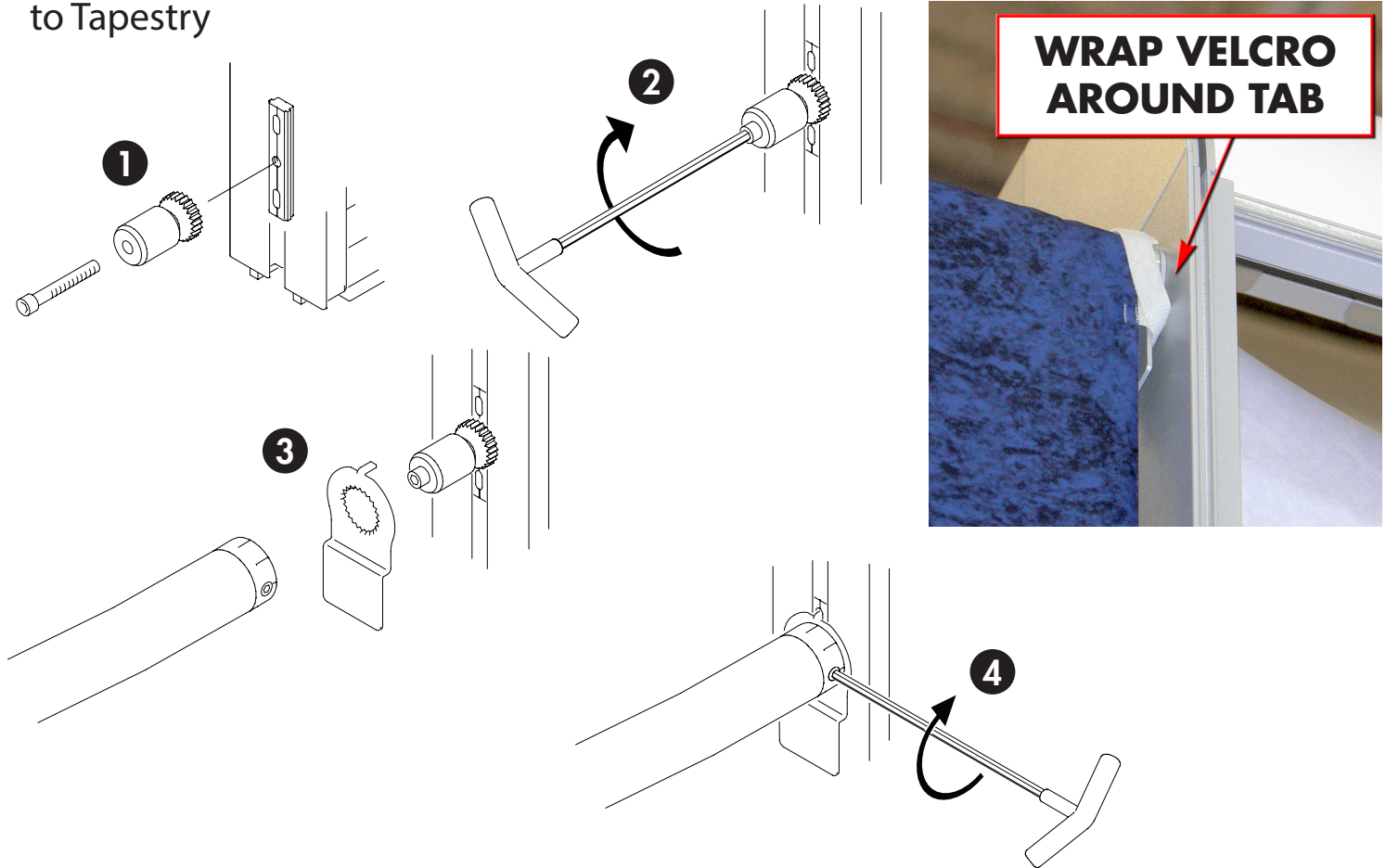
End Graphic Extrusion Installation



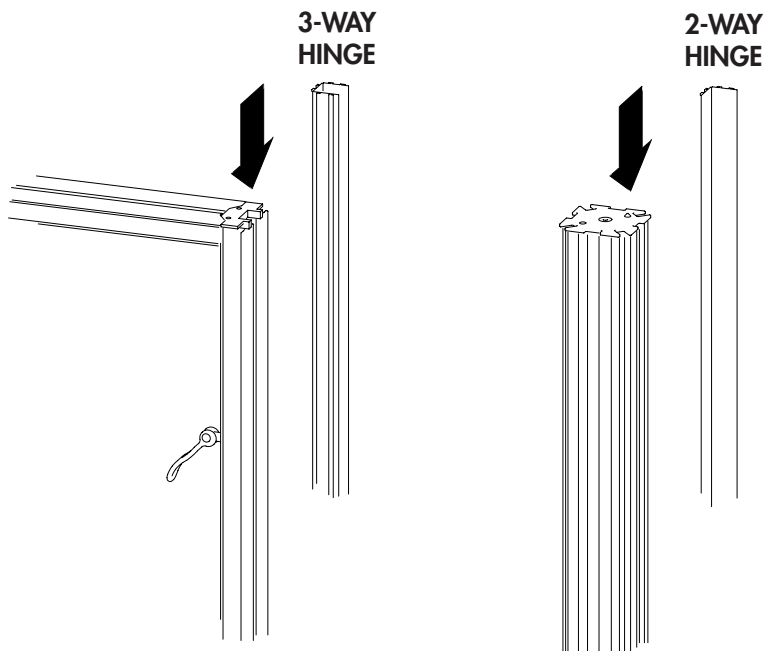
- 1 Insert one side of graphic into channel of foot.
- 2 Wrap banner to other side into opposite channel.
- 3 Keeping tension on the banner, slide both sides into both channels to the end of the frame..

Connection Packages

to Tapestry

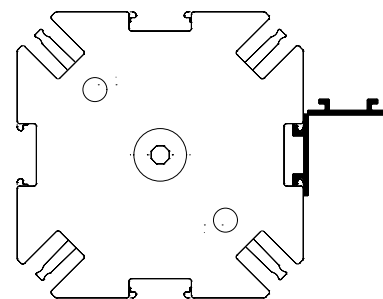


to Engage



Slide the hinge down the channels of the Engage panels and the SkyRise frame extrusion or corner post.

NOTE: Engage panels cannot contain slide connectors on an edge being connected with a hinge.

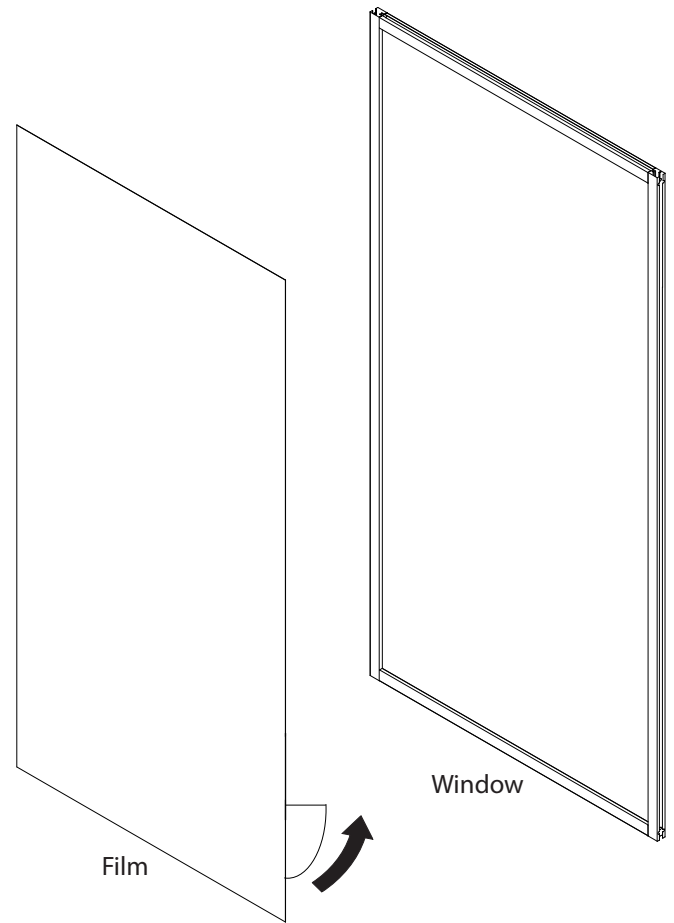


ATTACH TO SKYRISE FRAME EXTRUSION OR CORNER POST

Applying window film

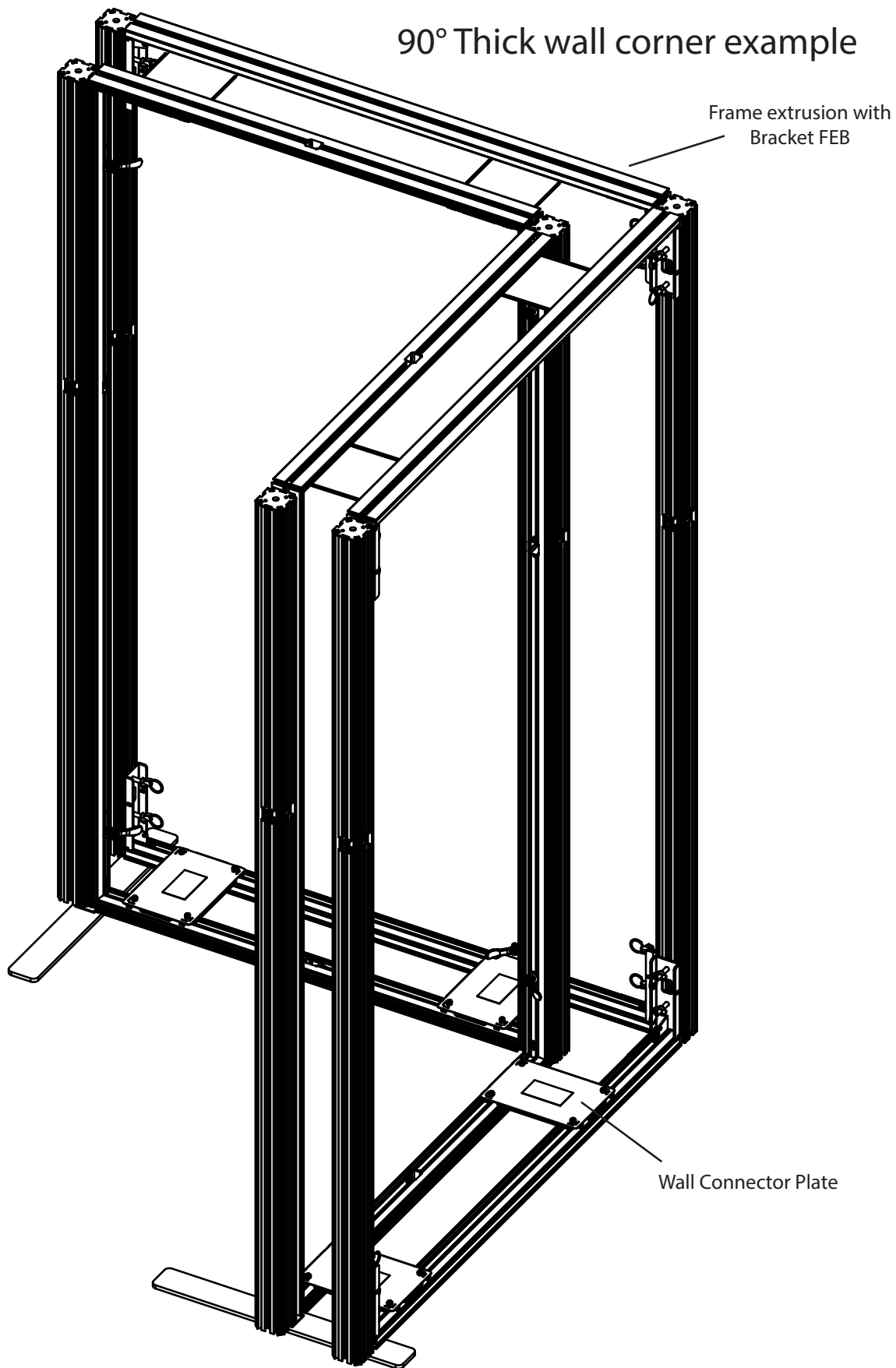
Dry application only.

- Clean window pane.
- Remove backing from one edge, align in window and stick down.
- Do not use a squeegee.
- Press air out, peel more backing off, repeat.



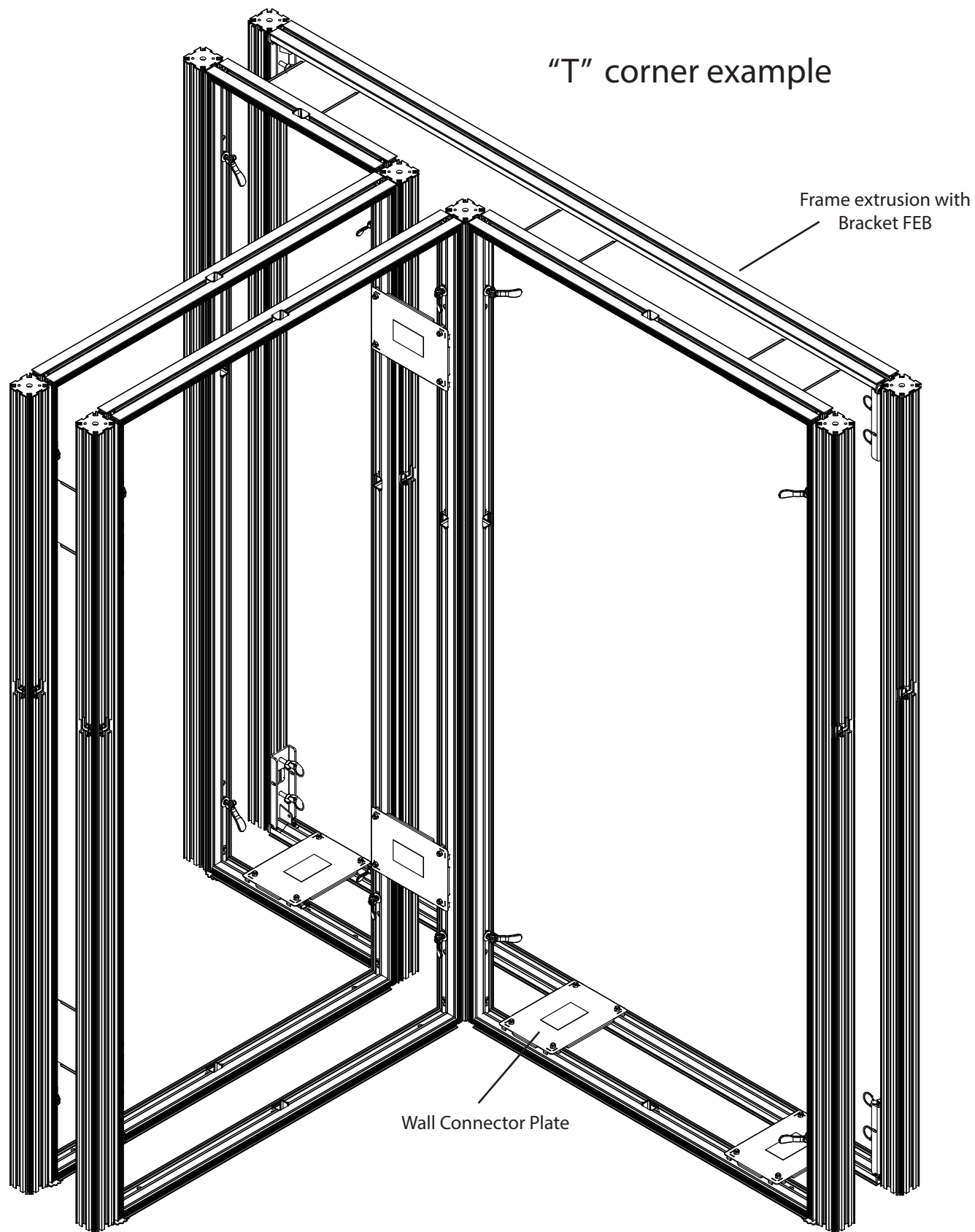
SkyRise Thickwalls

90° Thick wall corner example



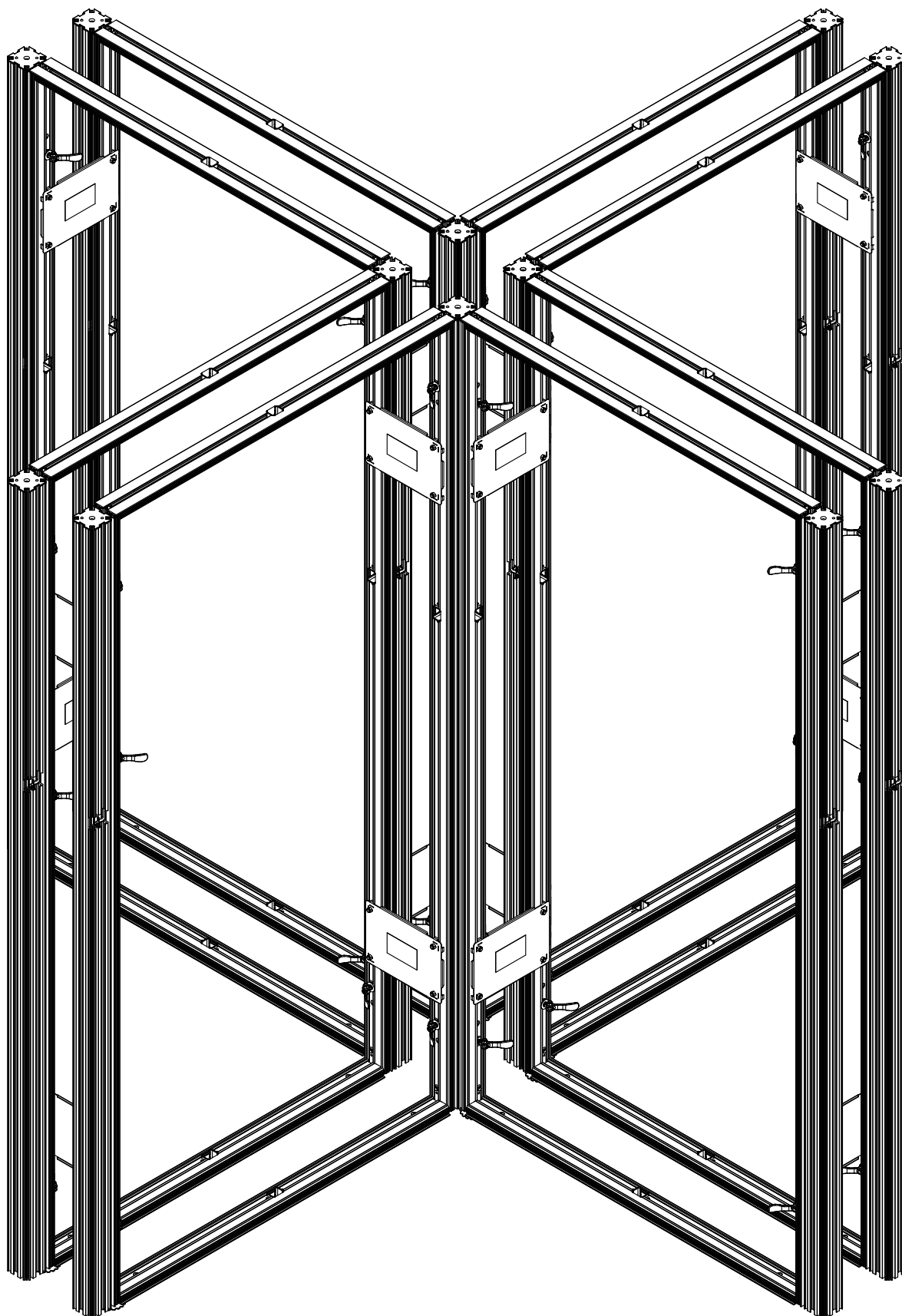
SkyRise Thickwalls

"T" corner example

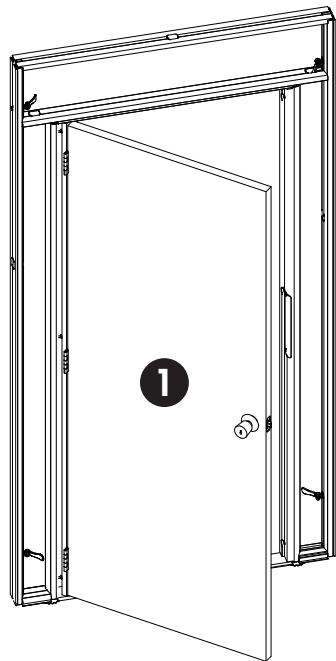


SkyRise Thickwalls

4-Way Thick wall corner example



Wood to SEG Door Conversion



- 1** Remove the wood door. Unscrew the bolts that fasten the door jambs on each side of the door opening. Collect the loose nuts and bolts.
- 2** Insert the 80" nut plate into SkyRise slot on hinge-side of door opening (set screws will need to be mostly unscrewed for this step.) Position towards the top of the opening, then tighten set screws firmly.
- 3** Insert 4" small nut plate in the SkyRise slot on the striker-side of the door opening (center 40" down from the top of the door opening.) Tighten set screw firmly.
- 4** Screw striker plate down onto the smaller nut plate. Have the side with the long, angled tab face the direction the door will open towards (typically the right hand doors will be on the right side of the door and face the front).
- 5** Align the hinge and door with the 80" nut plate, then screw the hinge into the 80" nut plate. (8 screws)

**View shown
without door**

