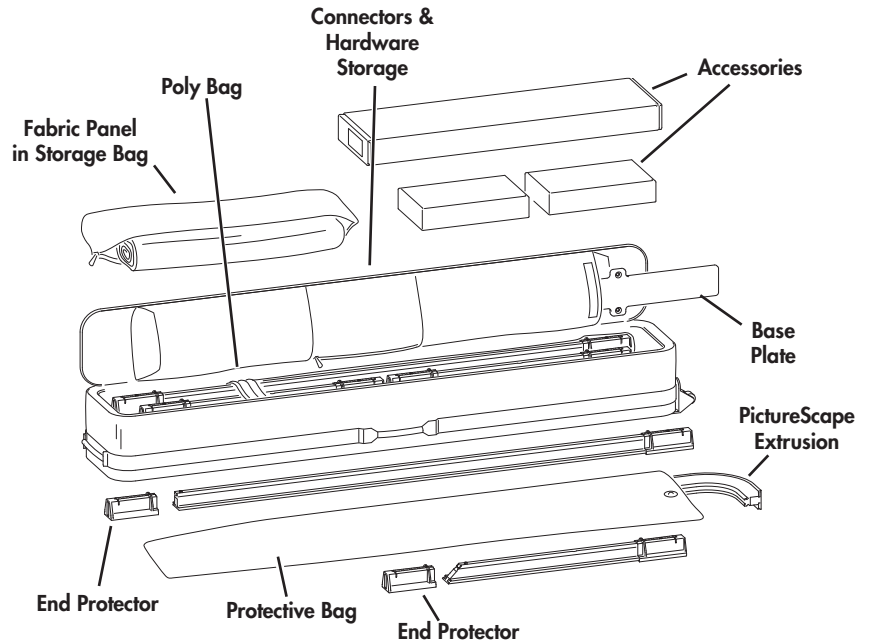


Table of Contents

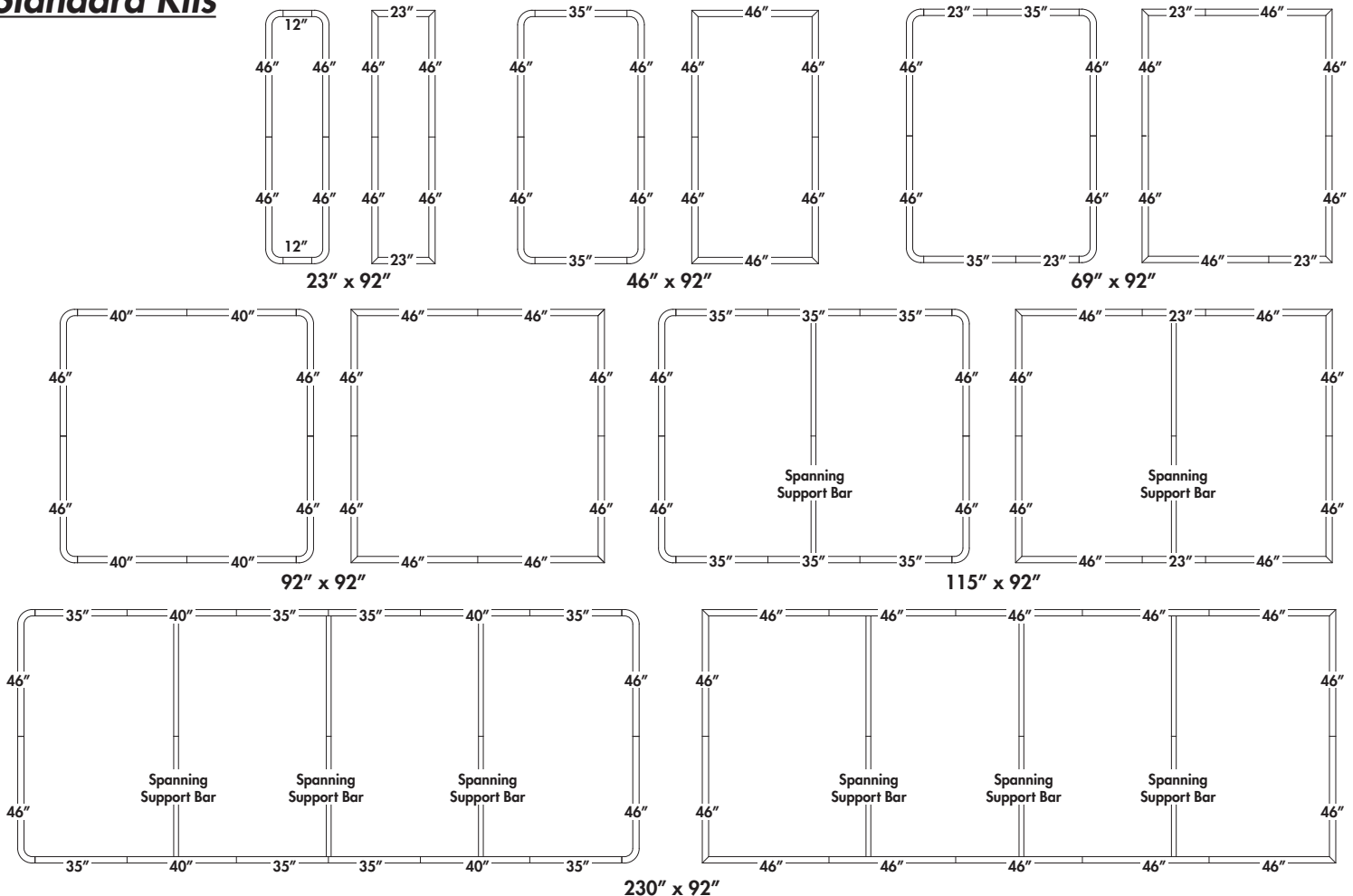
- Packing & Unpacking** 1
- Standard Kits** 1
- Component Identification** 2
- Assembly** 2
- Primary Components**
- 90° Connector 3
- Straight Connector 3
- Curve to Curve Connector 3
- Base Plate 3
- Variable Angle Connector 3
- Hanging Hardware Kit 3
- Spanning Support Bar 3
- Layering Spanner 4
- Positionable & Multi-Frame Base Plates 4
- Fabric Panel 4
- Accessories**
- End Shelf 5
- Literature Pocket 5
- Wall/Exhibit Mounting Bracket 5
- LED Lights 6
- Top Lights 7
- Wire Management Clip 7

Packing & Unpacking

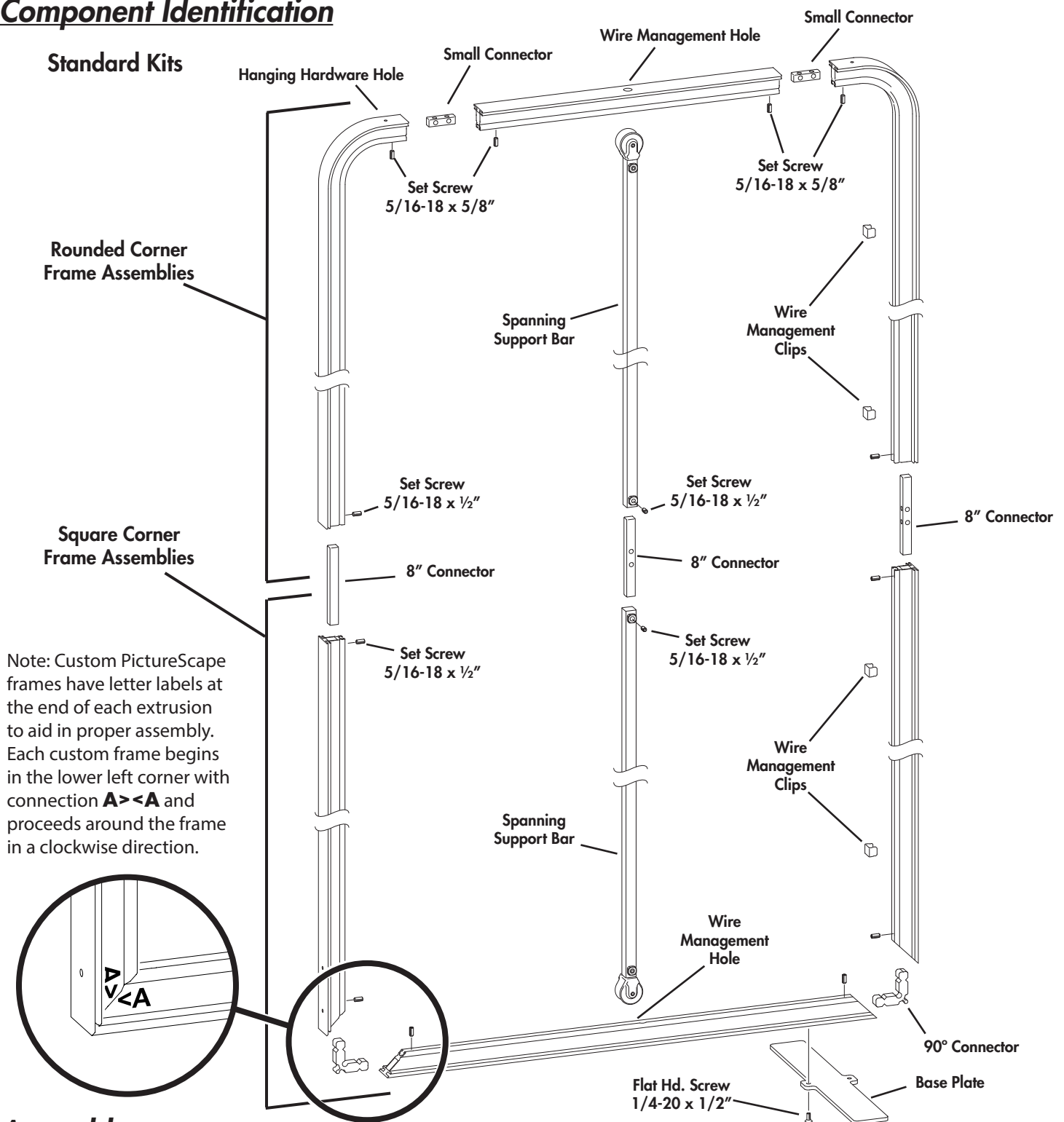


Caution: Always install end protectors on each end of each extrusion when repacking or damage to carrying case and frame may result.

Standard Kits



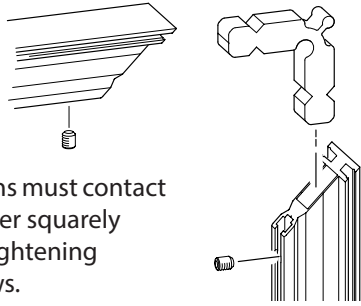
Component Identification



Assembly

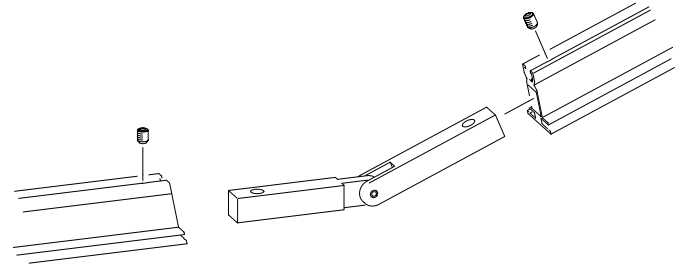
1. Identify unique components such as upper and lower extrusions with holes for hanging kit hardware or base plates, etc. Layout entire assembly on floor covered with clean drop cloth provided.
2. Assemble entire frame (including Spanning Support Bar) flat on floor.
3. Install Top Light wires and Wire Management Clips.
4. Install Fabric Panel(s).
5. Install Base Plates or Wall/Exhibit Mounting Bracket.
6. Install Top Light and Accessories.

90° Connector



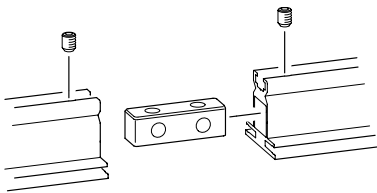
Extrusions must contact each other squarely before tightening set screws.

Variable Angle Connector



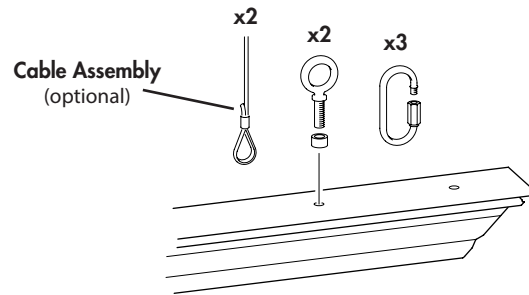
Extrusions must contact each other squarely before tightening set screws.

Straight Connector

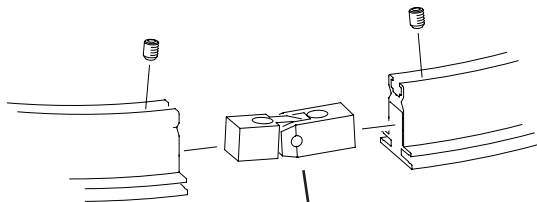


Extrusions must contact each other squarely before tightening set screws.

Hanging Hardware Kit



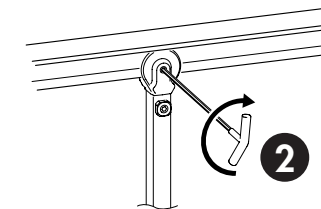
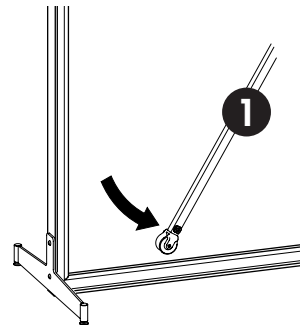
Curve to Curve Connector



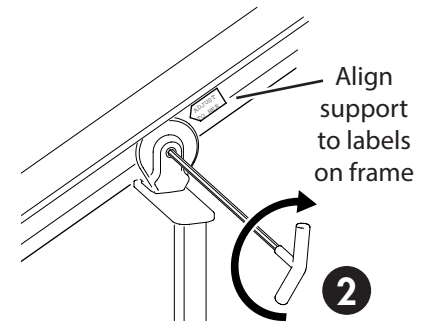
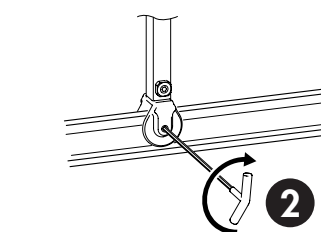
Align end of extrusion with groove

Extrusions must contact each other squarely before tightening set screws.

Spanning Support Bar



Center in frame from Left to Right

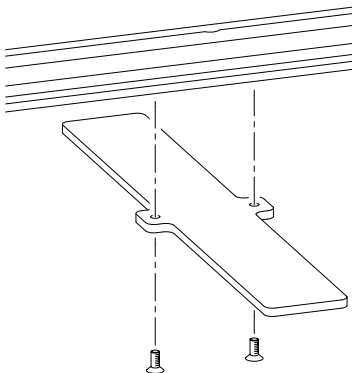


Align support to labels on frame

Adjust support to label on support

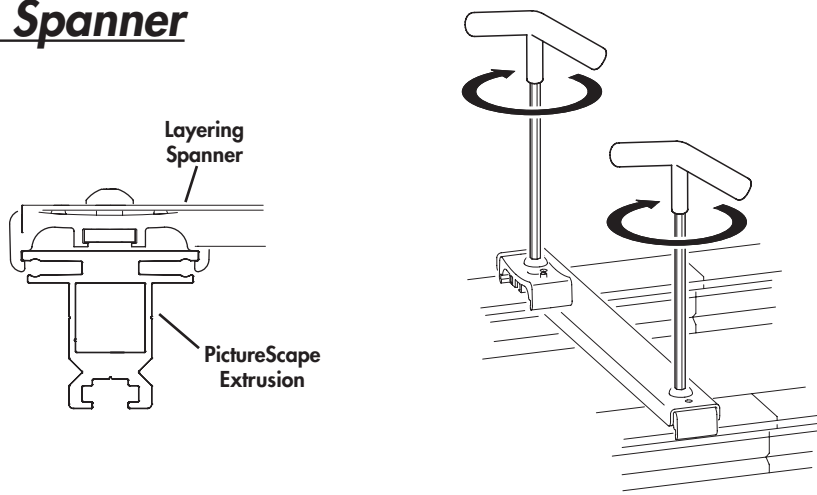
Custom Shapes

Base Plate

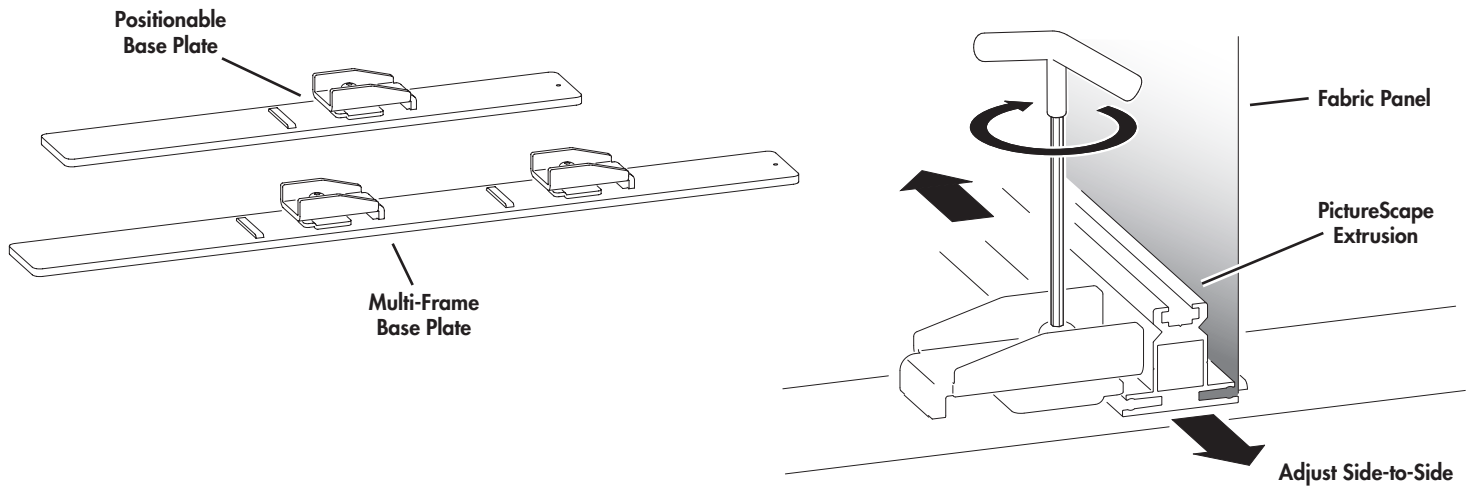


Squares & Rectangles

Layering Spanner

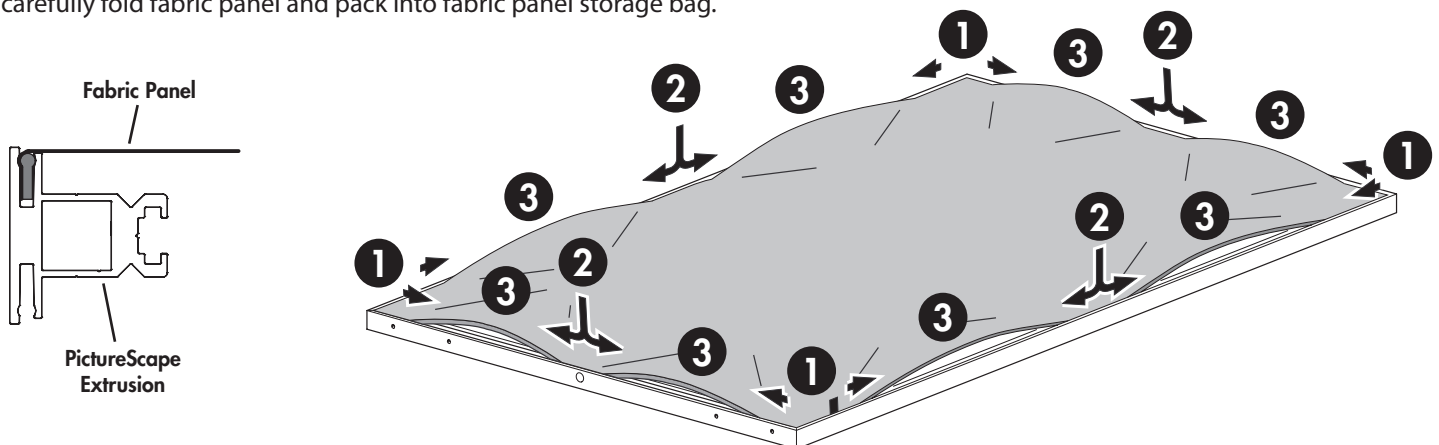


Positionable & Multi-Frame Base Plates



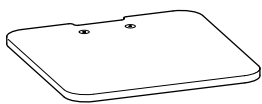
Fabric Panel

1. Start at the corners of the assembly. Work the FlexLock edge of the panel into the extrusion at each corner.
2. Press the FlexLock edge of the panel into the extrusion near the middle of each extrusion.
3. Work the panel into the extrusion from the corners inward and the middle outward.
4. To Dismantle, lay frame assembly on floor covered with clean drop cloth provided. To help reduce wrinkling, carefully fold fabric panel and pack into fabric panel storage bag.

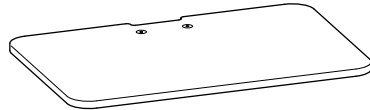


End Shelf

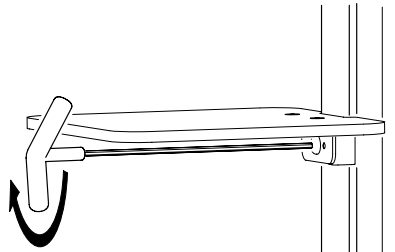
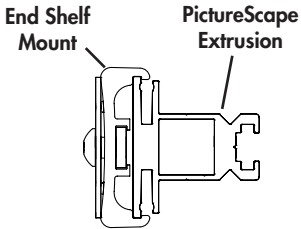
As of October 2011, the shelf bracket has been modified to allow for mounting to an angled frame.



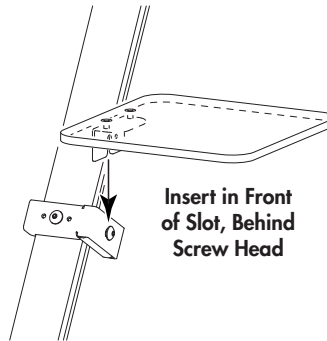
Square End Shelf



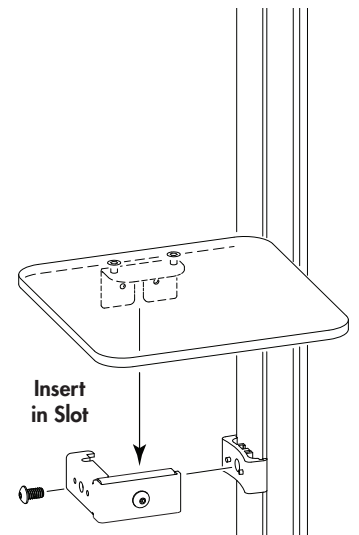
Rectangular End Shelf



To Install facing end of frame

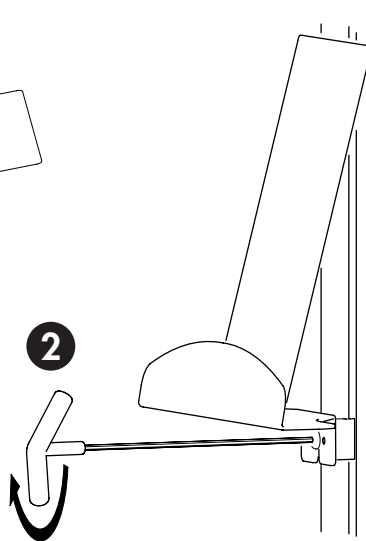
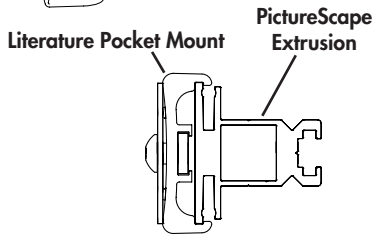
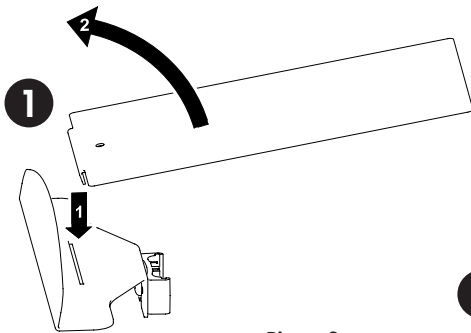


To Install on an angled frame

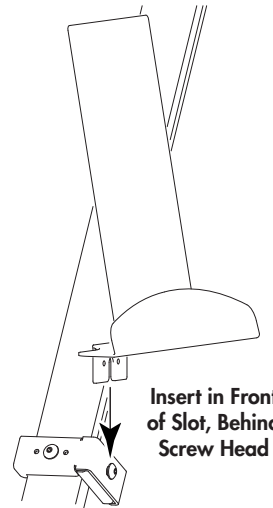


To Install facing front of frame

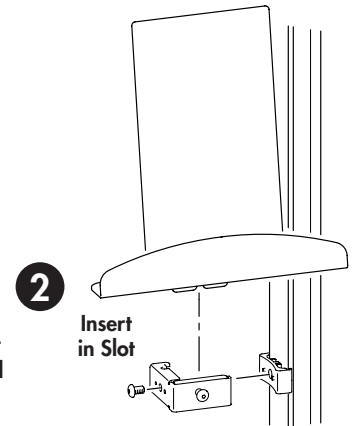
Literature Pocket



To Install facing end of frame



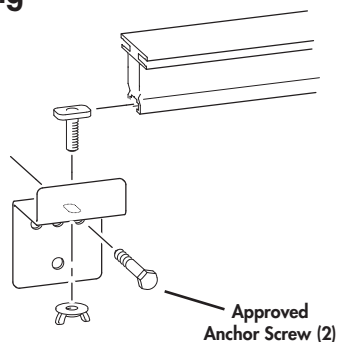
To Install on an angled frame



To Install facing front of frame

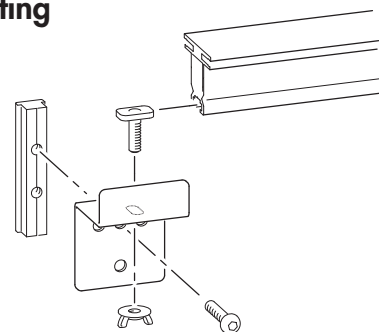
Wall/Exhibit Mounting Bracket

Wall Mounting



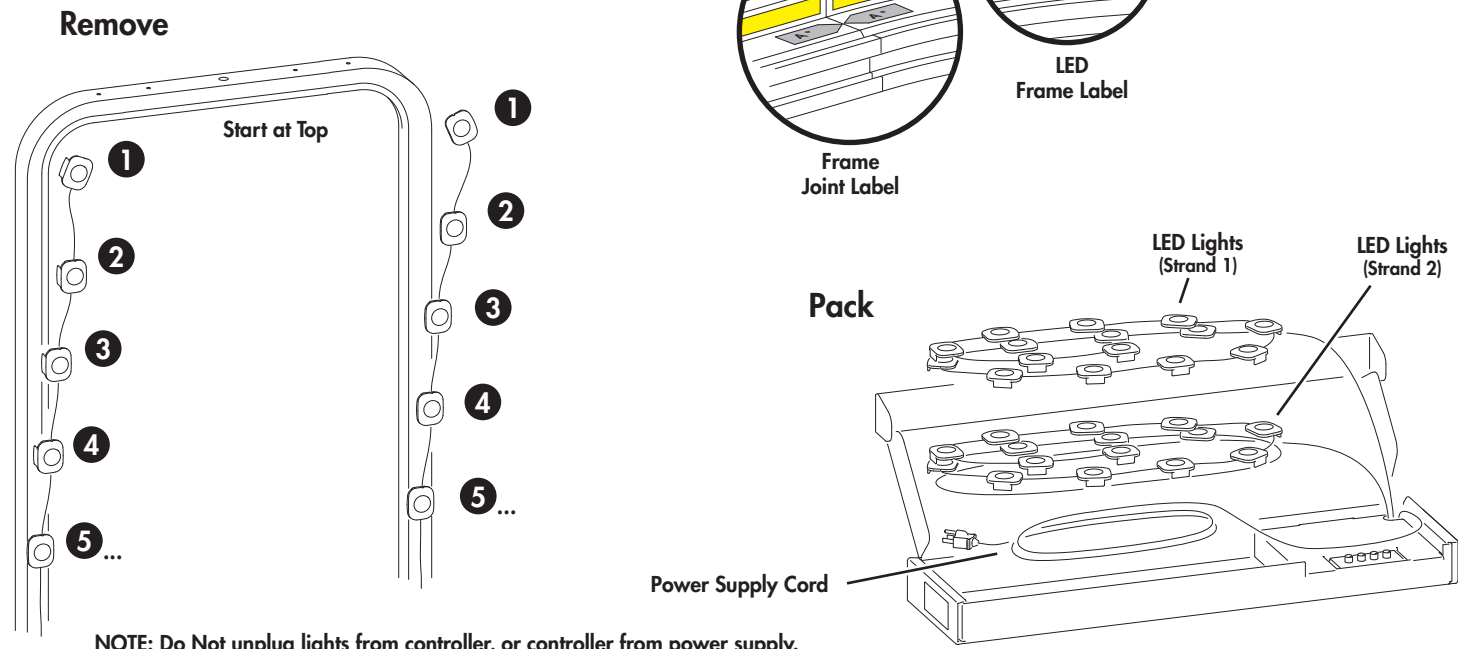
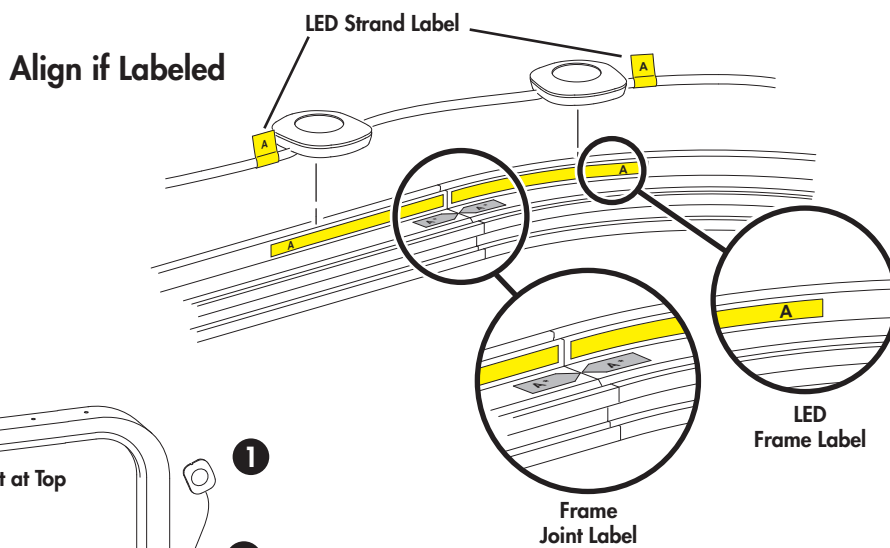
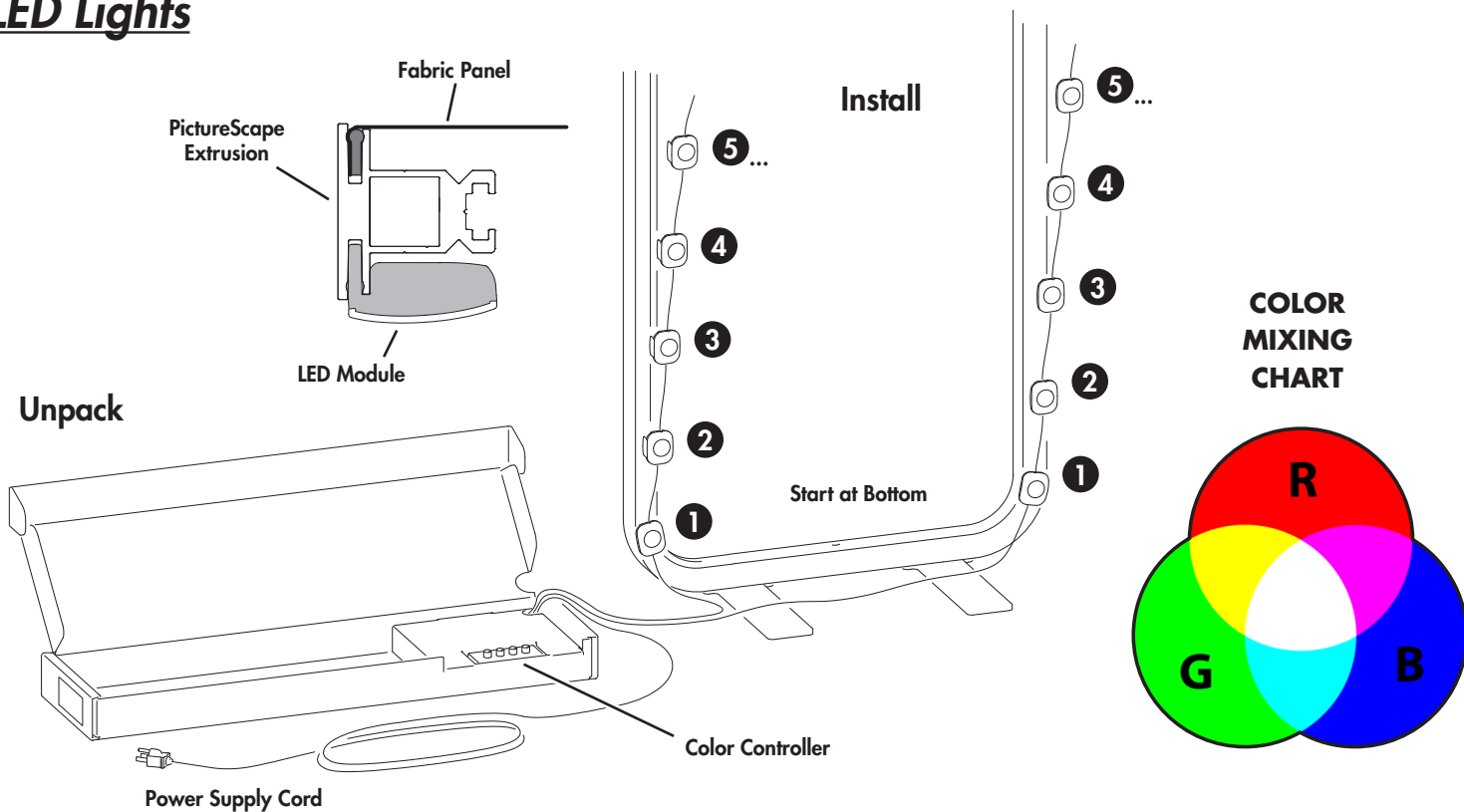
Approved Anchor Screw (2)

Exhibit Mounting



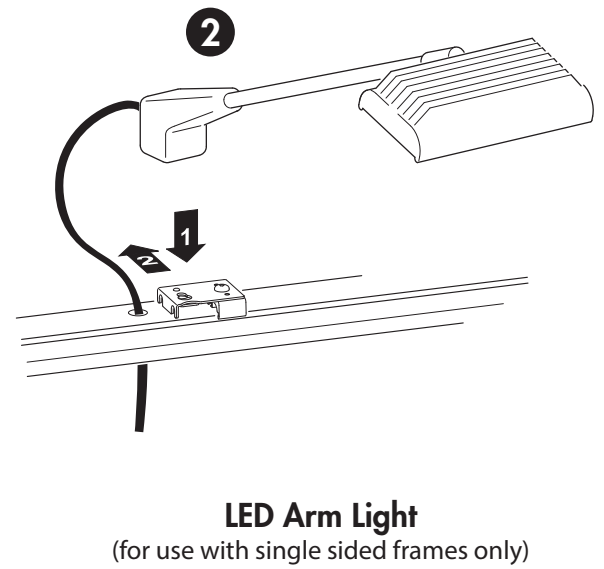
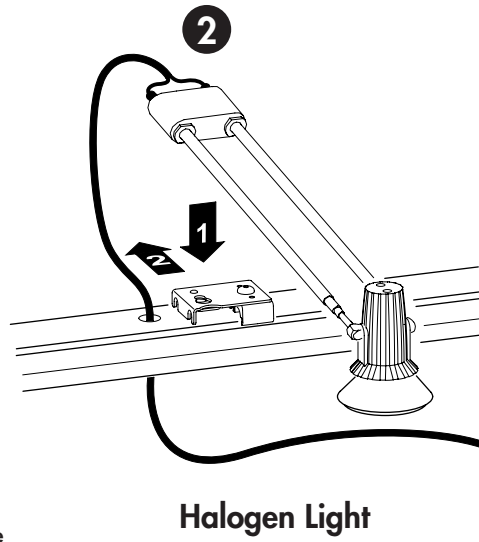
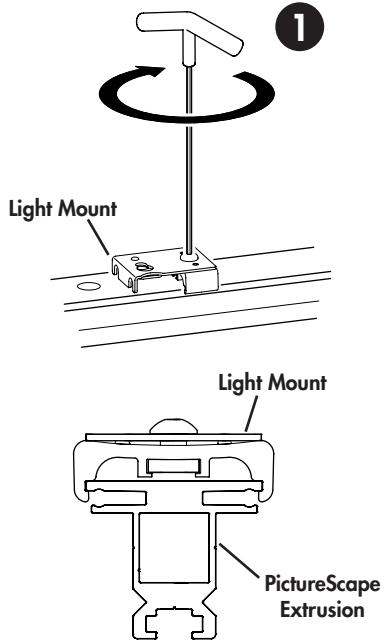
- Compatible Exhibits:
- Slotted Tube
 - Tube Ultra (square or round)
 - Engage

LED Lights



NOTE: Do Not unplug lights from controller, or controller from power supply.

Top Lights



Wire Management Clip

