

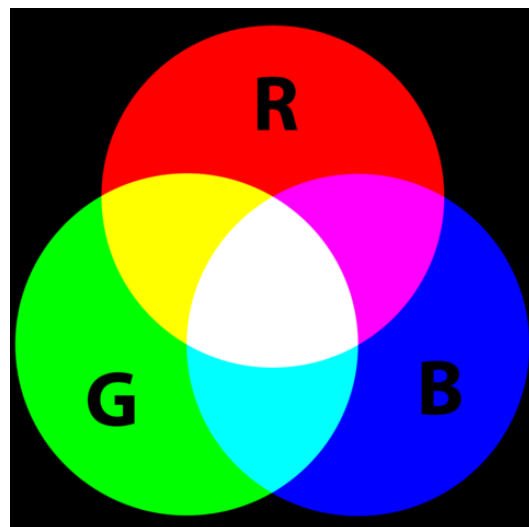
Accessory Track Shelf

Accessory track must be properly installed before installing a shelf.

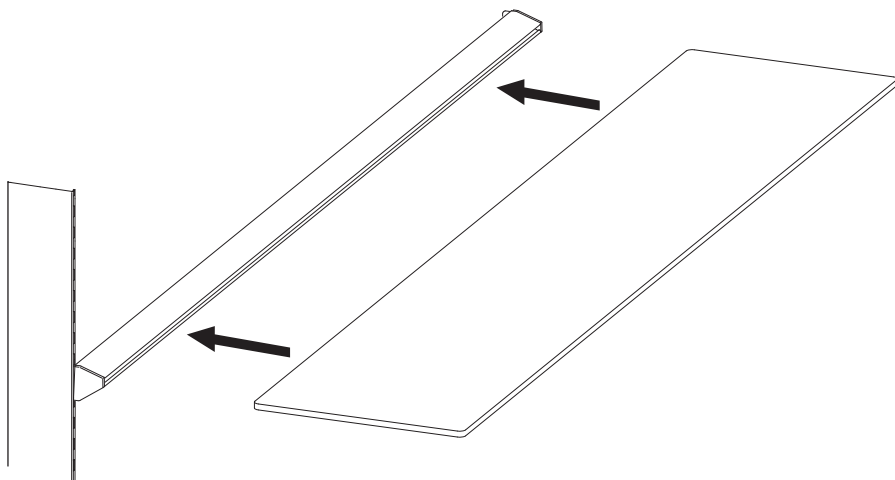
Do Not exceed 17 lbs total weight load per shelf.

Fit shelf into accessory track slot.

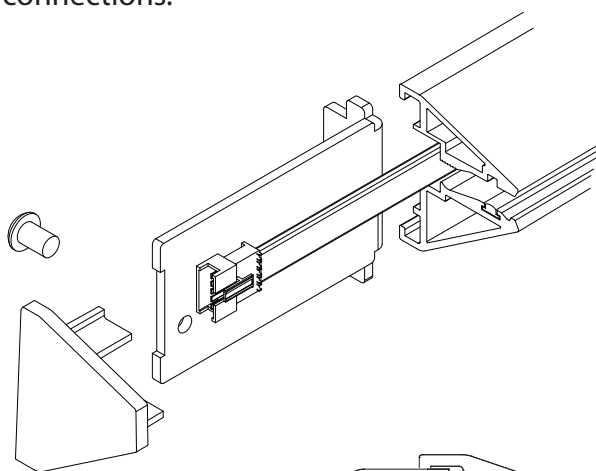
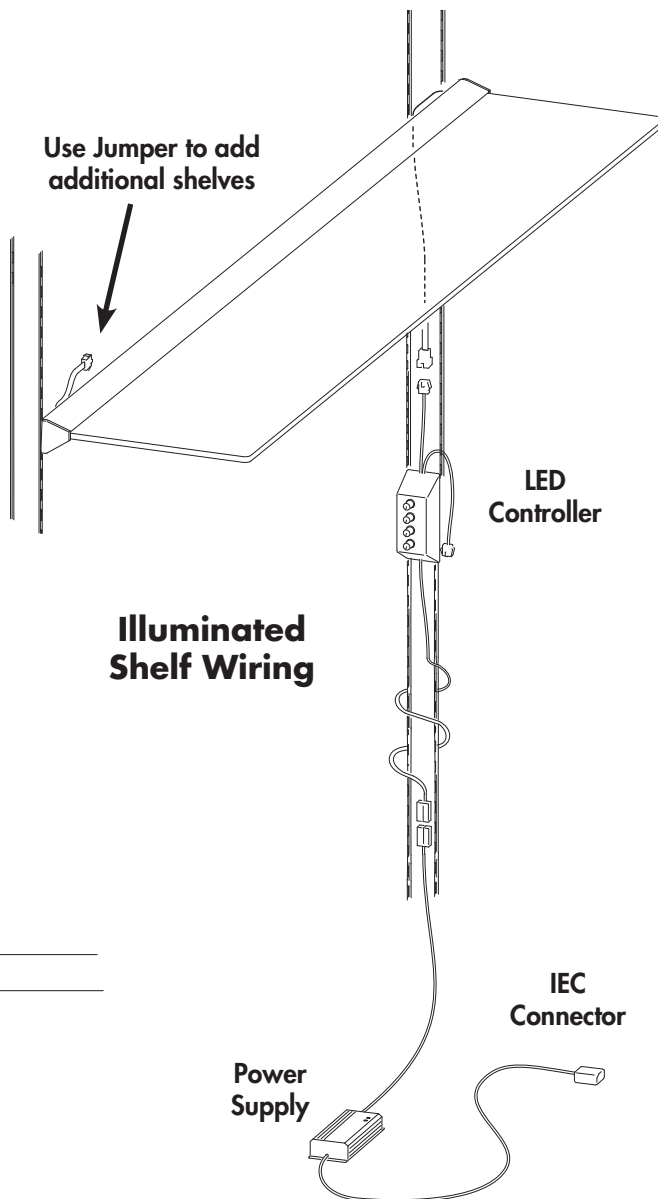
Route wiring as necessary for illuminated shelves.



COLOR MIXING CHART



Note: When installing multiple illuminated shelves in series, it will be necessary to install every other LED strip in accessory track in reverse to accommodate wire connections.



Route LED strip wires between track extrusion and standard bracket as shown.

