

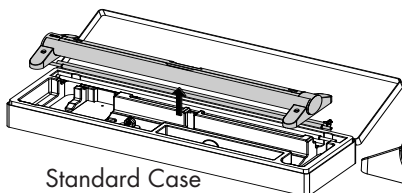
MYRIAD® Banner Stand is a registered trademark of Skyline® Exhibits

PN32294D

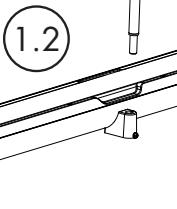
MYRIAD® Banner Stand

1. Banner Stand Setup

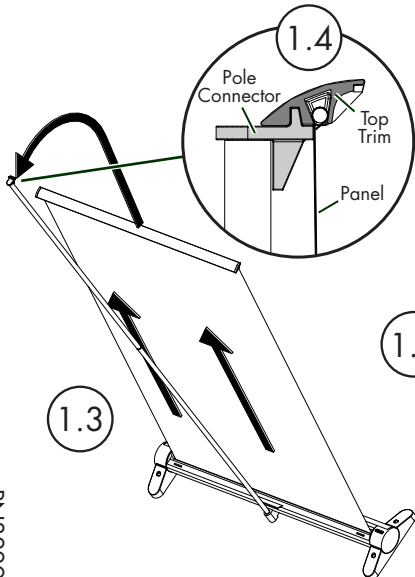
- 1.1 Remove banner stand from standard case or Arrive® Portable Display & Workstation and assemble pole.
- 1.2 Insert pole into base pole hole.
- 1.3 Pull banner up while tipping back with the pole.
- 1.4 Insert pole connector into top trim.
- 1.5 Banner lean can be adjusted with phillips screw driver.



Standard Case



1.2



1.4

1.3

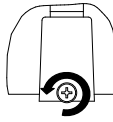
Caution: Care must be taken to ensure the banner is centered when deploying and releasing into the housing. Allowing the banner to become askew (upon release) may do permanent damage to the product and void the warranty.



1.5



Turn screw clockwise to lean forward

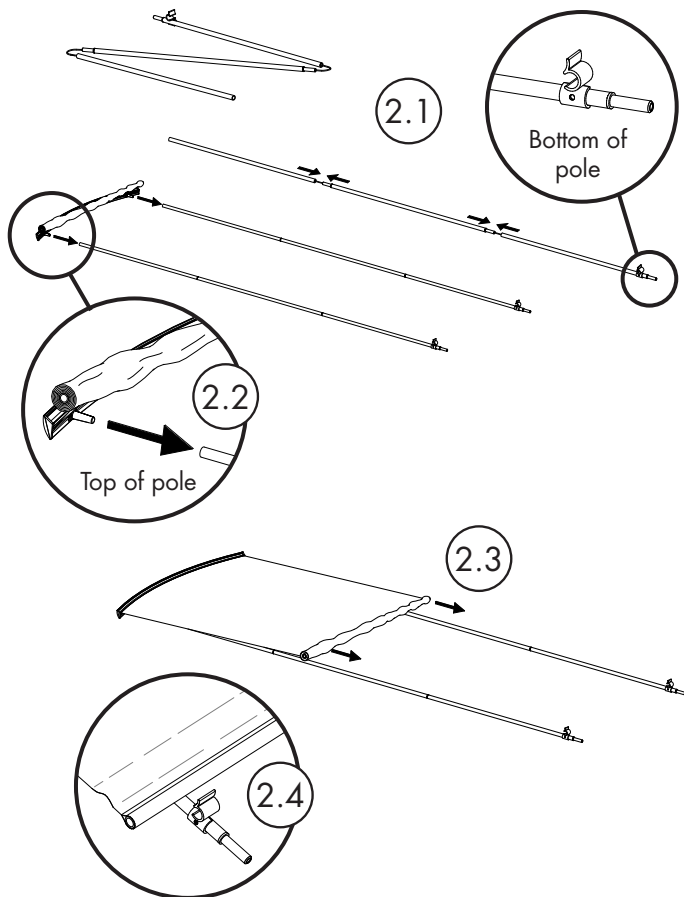


Turn screw counter clockwise to lean backward

MYRIAD® Banner Stand

2. Backwall Setup (Panel Assembly)

- 2.1 Assemble shock-corded poles.
- 2.2 Install banner extrusion onto top of poles.
- 2.3 Carefully roll banner down poles.
- 2.4 Insert bottom banner support into pole clips.





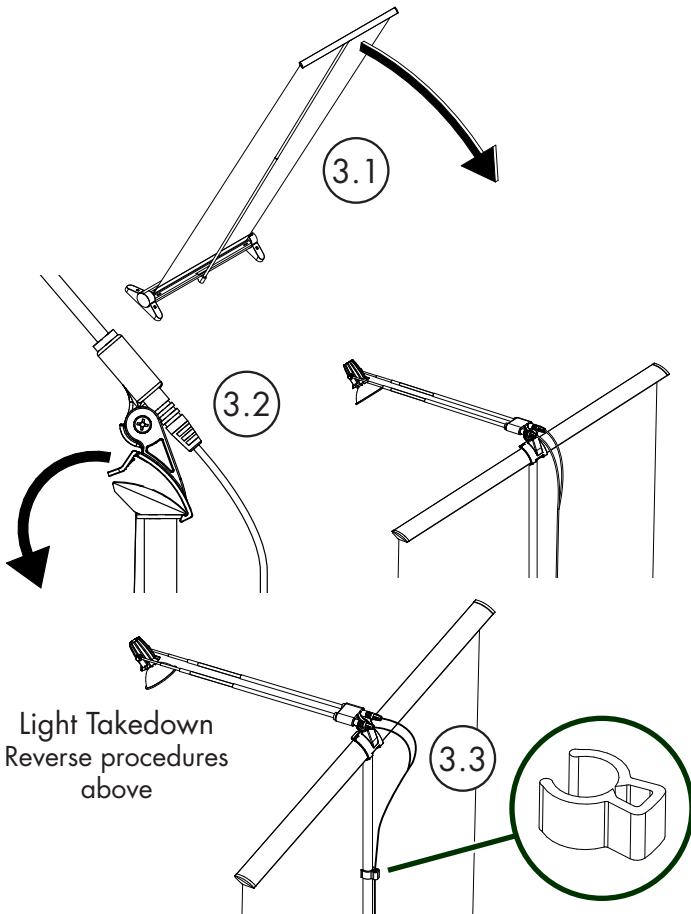
3. Light Setup

3.1 Tip banner stand back using pole.

3.2 Snap light onto top trim of banner stand or backwall.

3.3 Use wire management clips to secure cable to pole.

Plug in transformer and adjust light as required.



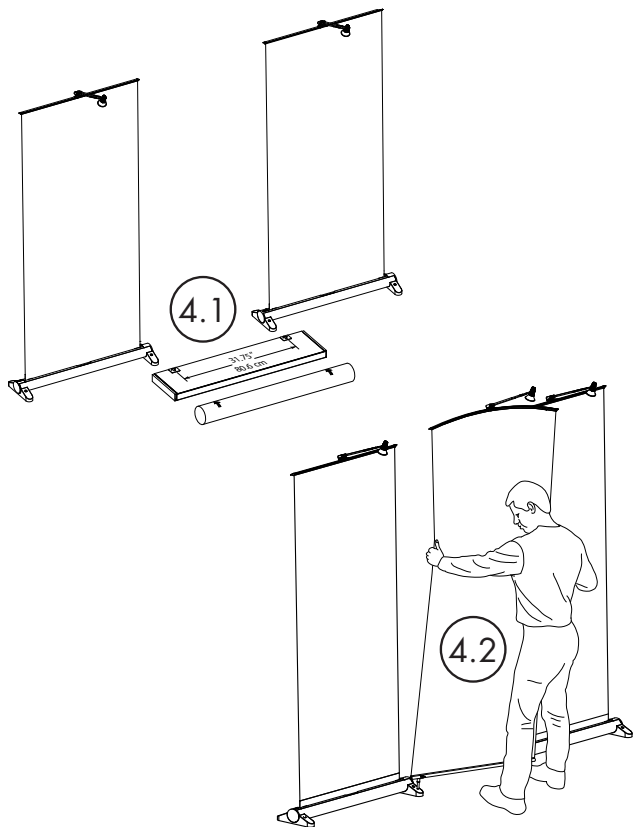
Light Takedown
Reverse procedures
above

MYRIAD® Banner Stand



4. Backwall Setup (Panel Installation)

- 4.1 Separate assembled banner stands so inside edges of feet are $31\frac{3}{4}$ " apart (use arrows on standard case center panel box, or storage tube of Arrive® portable display & workstation if available).
- 4.2 Lift backwall by poles and fit ends of poles into holes in banner stand feet. Backwall can be installed in front of or behind banner stand banners.

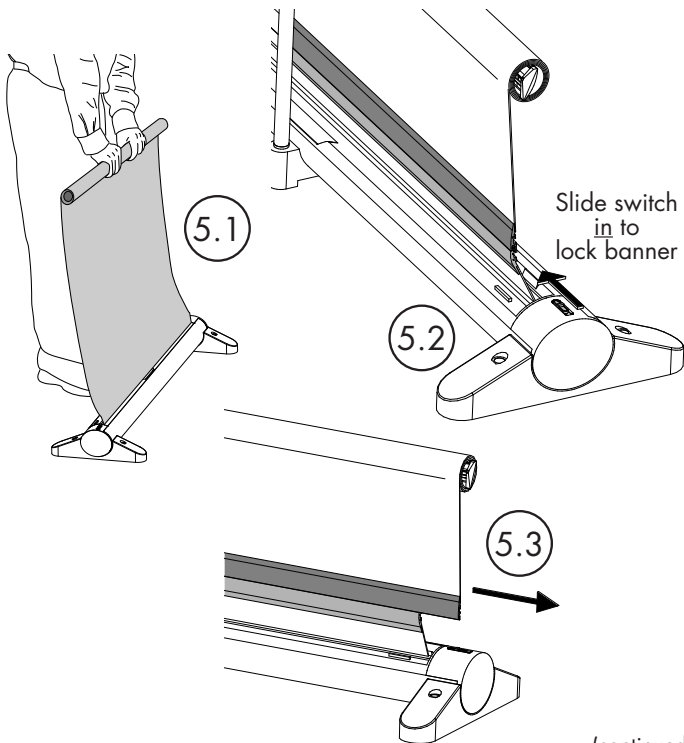


MYRIAD® Banner Stand

5. Banner Exchange

Set up banner stand per procedure in Section 1.

- 5.1 Remove top trim with banner from top of pole and roll up until near base.
- 5.2 When rolled banner is near base, pull up until connecting extrusion on bottom of banner comes out of slot a few inches. Push slide switch in to lock banner in place - you may need to pull banner out very slightly to engage locking mechanism.
- 5.3 Slide old banner off of connecting extrusion.



**BANNER
EXCHANGE**

(continued)

MYRIAD® Banner Stand

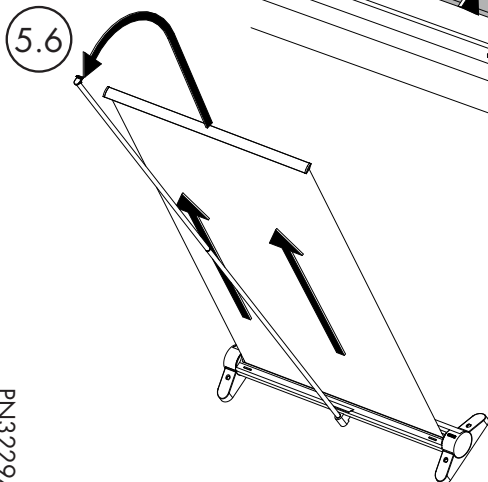
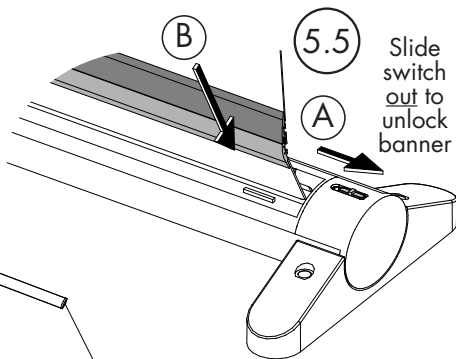
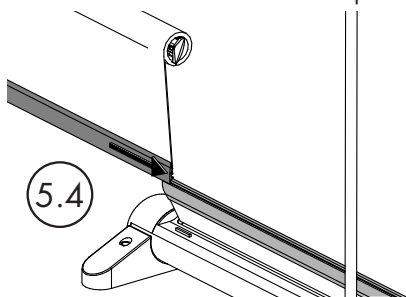
5.4 Slide new banner onto connecting extrusion.

5.5 Hold banner firmly.

A. Push slide switch out to unlock banner.

B. Gently feed banner back into housing.

5.6 Attach new banner to top hook.



Caution: Care must be taken to ensure the banner is centered when deploying and releasing into the housing. Allowing the banner to become askew (upon release) may do permanent damage to the product and void the warranty.

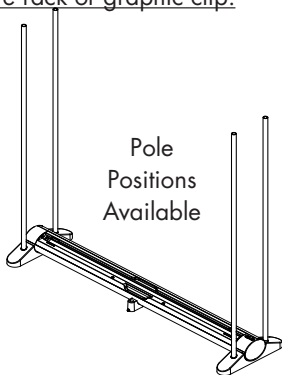


6. Accessories

Setting up Accessories

Take out accessory pole(s) and insert into holders where needed.

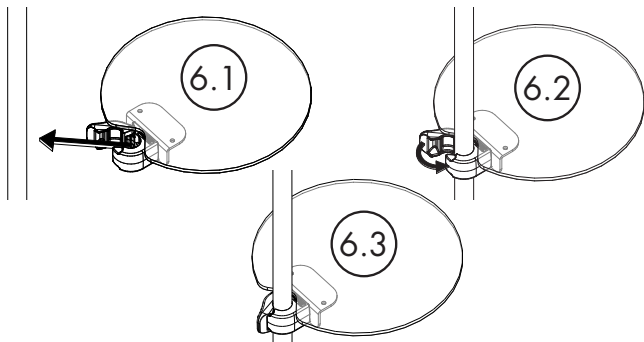
Short accessory pole should always be used on top of a long "base" accessory pole and should only be used for the literature rack or graphic clip.



Attaching Accessories with Clamps

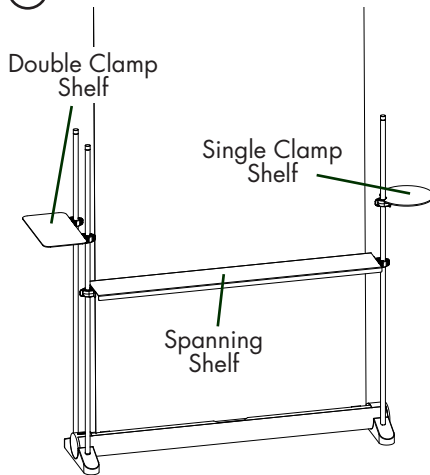
6.1 Position next to pole.

6.2 Close clamp until it snaps.





Shelf Positions



Single clamp mounted shelves can be positioned at any angle.

Double clamp shelves can be positioned either side facing or bridging between two banner stands.

Spanning Shelves:

Short (for use across front of center backwall)

Long (for use across front of banner stands)

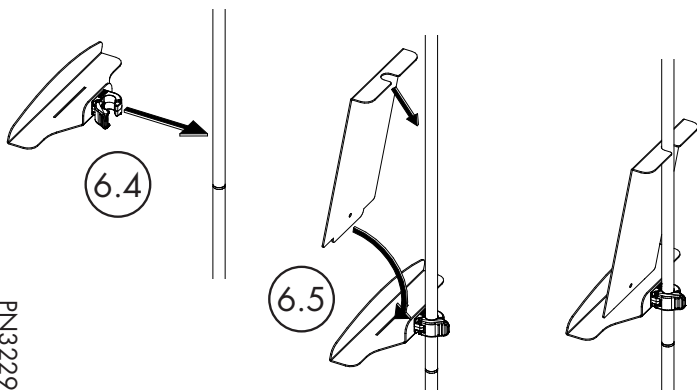
Expandable (for use across front of banner stands or backwall)

Literature Pocket

6.3 Clamp base to pole.

(Literature pocket can only be positioned front facing)

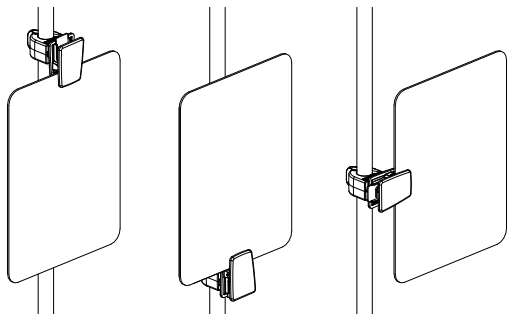
6.4 Insert paper platform into base.





Graphic Clip

Graphic Clip can be used to display a small, lightweight board graphic and can be adjusted to hold the graphic down, up, or to the side.

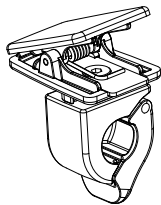


To change clip orientation:

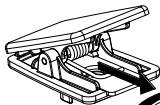
6.5 Push up on locking tab.

6.6 Slide clamp from clip and rotate 90°.

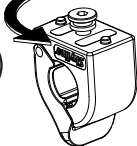
6.7 Slide clamp back in and release locking tab.



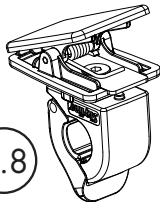
6.6



6.7



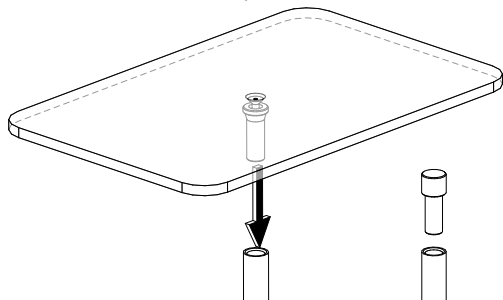
6.8





End Pole Mounted Accessories

Center Mounted Shelves and the Pole Cap mount directly onto the end of a pole.



Accessory Weight Limits and Capacities

Accessory Poles:

- Each Pole can carry a maximum of 4 lbs (1.81kg).
- For a single shelf that connects to 2 poles, the shelf can carry a maximum of 8 lbs (3.63kg).

Shelves:

- Shelf weight limits are set by the pole carrying capacity.

Literature Pocket:

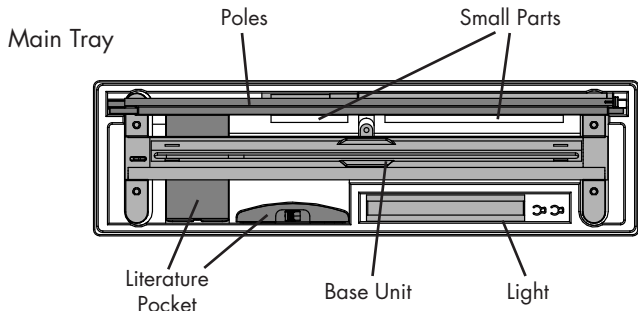
- Maximum literature size: 8.5" x 11" (21.6cm x 27.9cm)
- Maximum thickness of material: 0.75" (19.5mm)
- Maximum weight is 3 lbs (1.36 kg)

Graphic Clip:

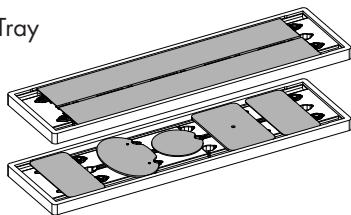
- The Graphic Clip is only suitable for lightweight material
- Maximum graphic size: 12" x 12" (30.5cm x 30.5cm)



7. Packing Standard Cases



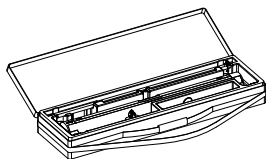
Accessory Tray



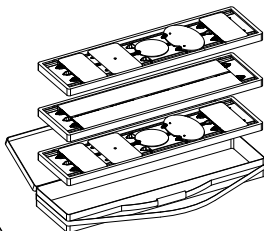
Accessory trays have spaces for 4 accessory poles and up to 5 small shelves or 2 spanning shelves.

Packing Configurations

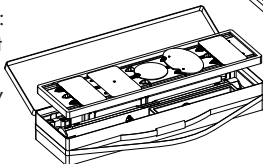
Short Case: One Banner Stand



Accessory Case: Three Trays



Tall Case:
One Unit
and
One Tray



PN32294D

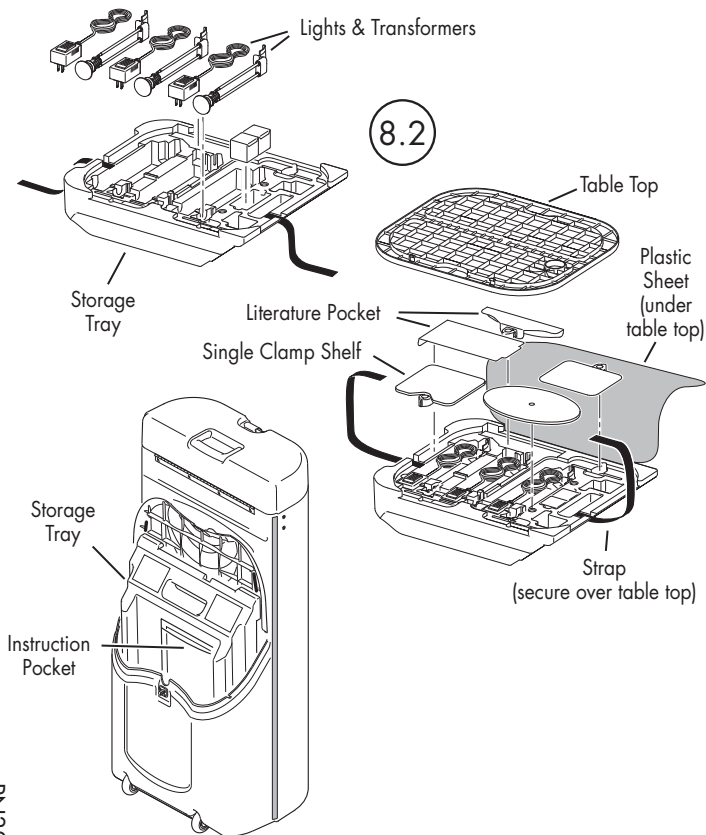
MYRIAD® Banner Stand

PACKING

8. Packing Arrive® Portable Display & Workstation

8.1 Remove accessories, table top, workstation graphic, and any equipment cords from the Arrive®.

8.2 Pack accessories in storage tray and return to case.

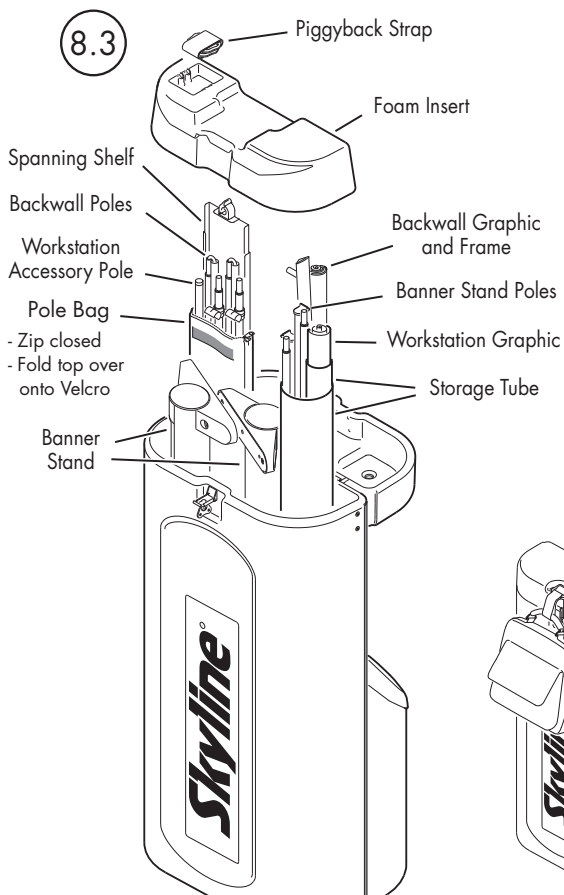


(continued)

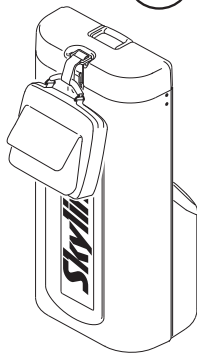
MYRIAD® Banner Stand

8.3 Pack banner stand and backwall as shown.

8.4 Use piggyback strap to hold briefcase or bag (5 lbs max.) when rolling the Arrive® around on its wheels.



8.4



MYRIAD® Banner Stand