

Channels must be installed on both sides of the frame ends in order to mount end panels.

1. Lay panel flat on a clean surface with the inside of the panel up. Find the ends of the zipper on the fabric “bridges” and pull the zipper completely up the panel forming the panel into a “U” shape. (Figure 1)
2. Lift the panel by holding the panel with one hand on each side of the zipper with the zipper facing away and with the notches on top. Do not hold the panel horizontally as it will kink.
3. Hook the panel notches over the rivets at the top of both channels at the same time. (Figure 2)
4. Lower the panel so the magnets are parallel to the sides of the frame. (Figure 3)
5. First attach the front side of the panel to the channel bars (on the frame) by aligning the magnet to the front side of the frame and running your hand over the panel to assure that it is secure. (Figure 4)
6. Then attach the back side of the panel to the channel bars to secure the back side of the panel to the frame and run your hand over the panel to assure it is secure.

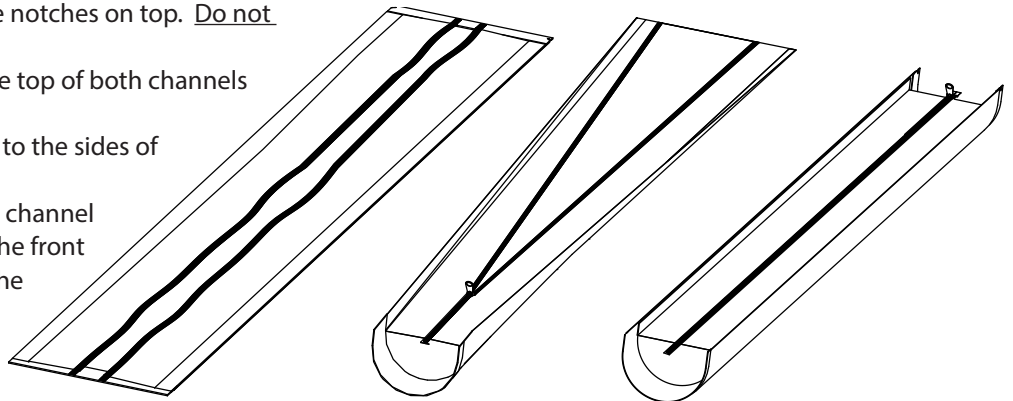


Figure 1

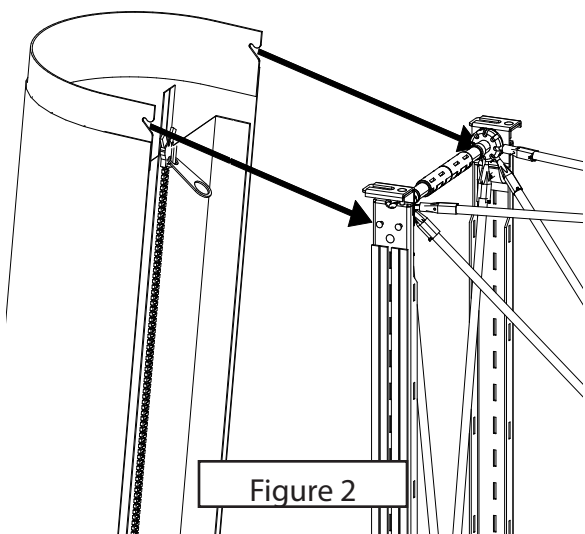


Figure 2

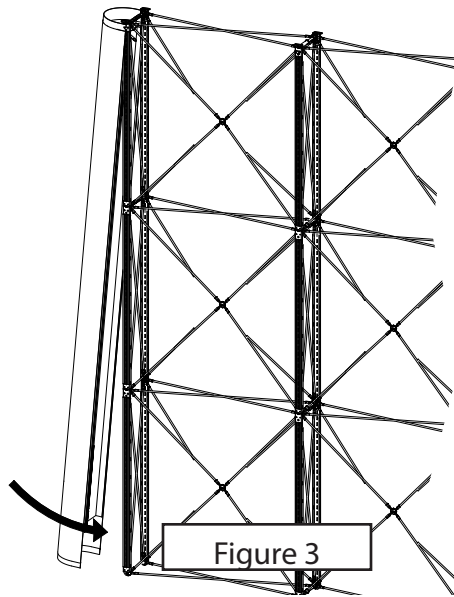


Figure 3

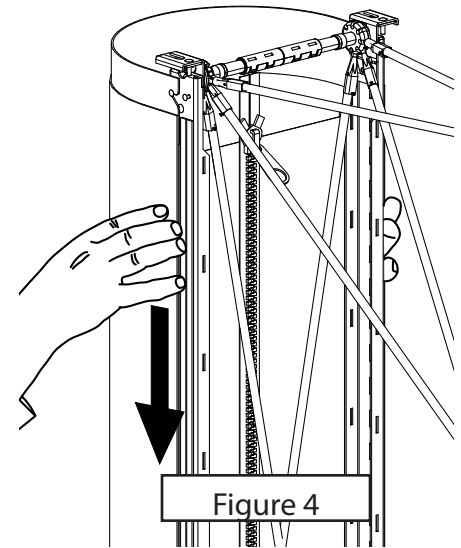


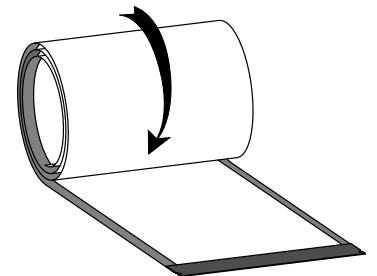
Figure 4

Removal

- Grab the bottom of the end panel on both sides and then separate the panel from the frame by running your fingers between the frame and the panel until the magnet releases from the frame.
- Lift the side panel away from the frame.
- Unhook the top of the panel.

Repacking

- Lie the panel down on a clean surface with the zipper side facing up, unzip panel
- Put panels back into their original protective bags
- Roll the panel up so that it fits into the case
- Allow it to loosen and fit firmly against the walls of the case
- DO NOT STACK PANELS IN CASE



The original shipping bag is an important part of safeguarding your panels during packaging and shipping. Failure to use the protective bag could result in damage and will void your warranty