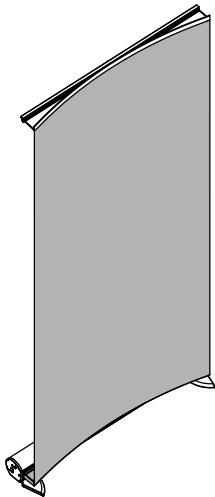
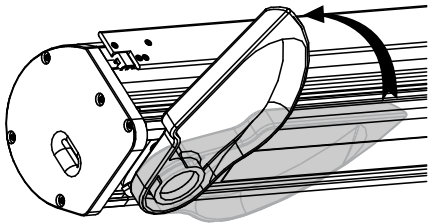


**EXALT™**

**CURVED BANNER STAND SET-UP**

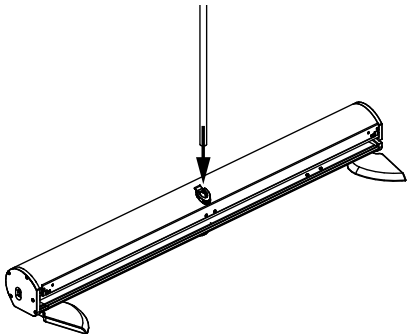


***Skyline®***



**Prepare banner stand base:**

**1.** Rotate end feet out towards the front of the unit until they stop.

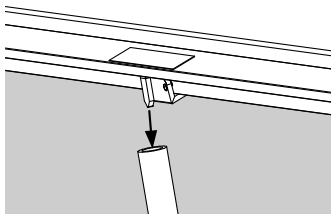


**2.** Connect pole sections and insert pole into hole in base.



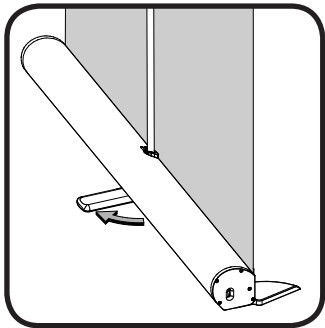
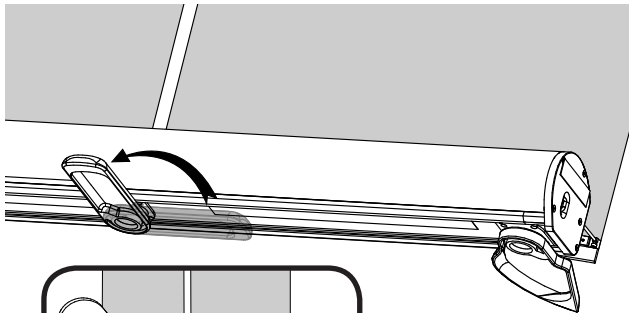
**Extend graphic:**

**3.** Tilting unit **back**, pull top trim up pole, keeping graphic centered.



**4.** Pull graphic slightly past top of pole and insert hook on top trim into pole.

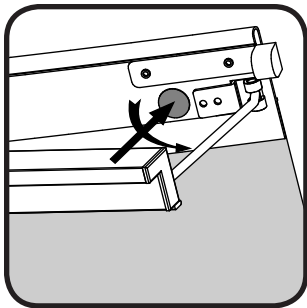
**Make sure hook is completely inserted!**



**5.** Tilt unit **forward** and rotate center foot to back of unit. Stand unit upright.

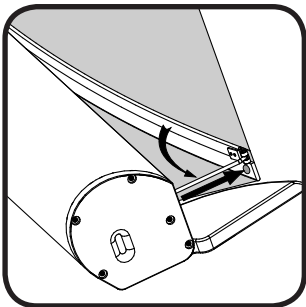
**Create curved graphic:**

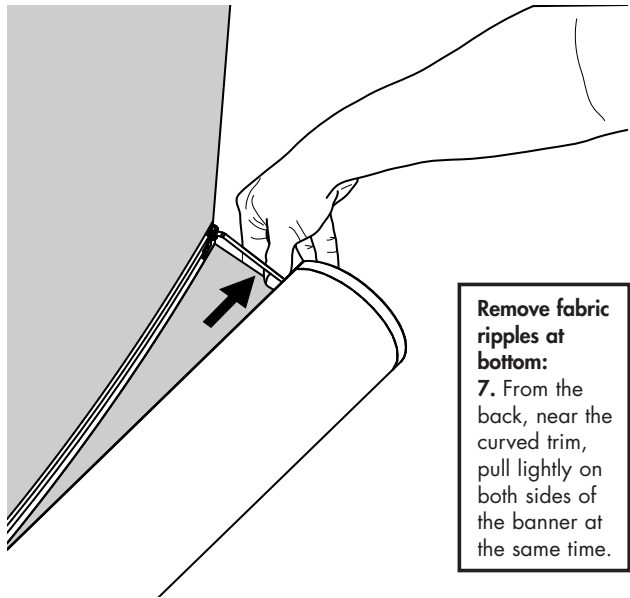
**6.** Push forward where orange dots are located on top and bottom flexible trim strips. Swing metal braces on trim strips out on each side, top and bottom, to "set" the curve.



**BOTTOM**

**TOP**





**Remove fabric ripples at bottom:**

**7.** From the back, near the curved trim, pull lightly on both sides of the banner at the same time.



When retracting banner, lower it slowly and keep it centered.

If fabric folds upon itself inside the housing, it will crease.

To  
Disassemble  
- Reverse  
set-up  
procedure.

# ***Skyline***<sup>®</sup>

PN31578-A

Patent Pending  
1-800-328-2725  
[www.skyline.com](http://www.skyline.com)  
©2007 Skyline Exhibits