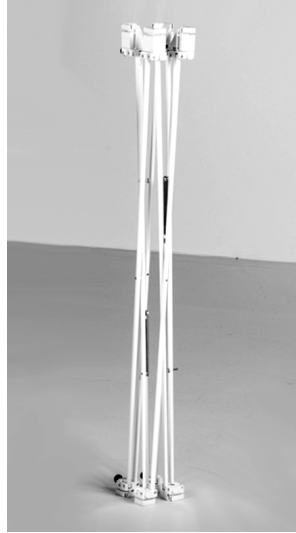


# Tradewinds Immerse™ Display System Counter Instructions

## Table of Contents

<b>Component Identification</b> .....	1
<b>Primary Components</b>	
Frame .....	1
Long Channel Bar .....	1
Short Channel Bar .....	1
Counter Top .....	1
Internal Shelf .....	1
Backlighting Kit .....	1
<b>Assembly</b> .....	1-2
<b>Back Lighting</b> .....	3
<b>Fabric Installation</b> .....	4

## Component Identification



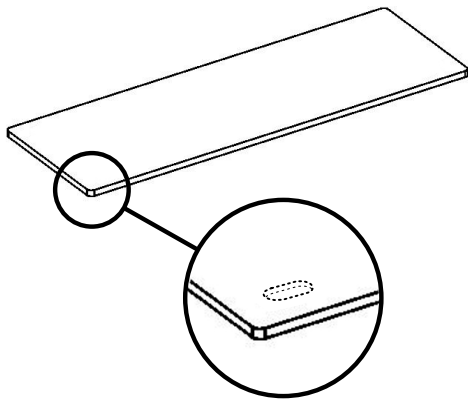
Frame



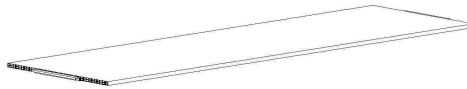
Long Channel Bar



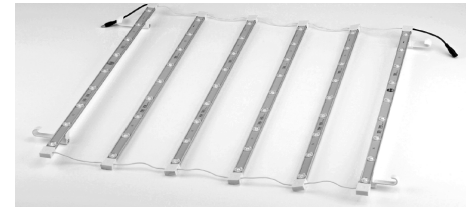
Short Channel Bar



Counter Top



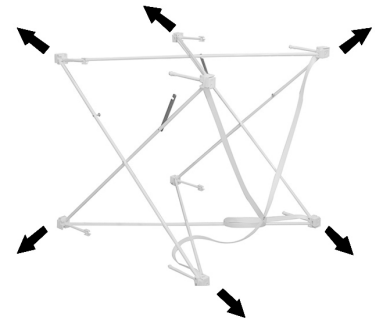
Internal Shelf



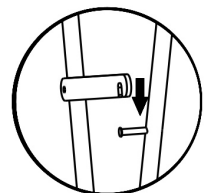
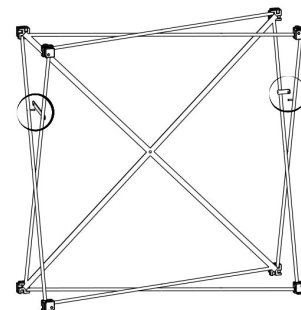
Backlighting Kit

## Assembly

1. Expand frame by pulling outward at each corner. Leveling knobs should be on bottom of frame.



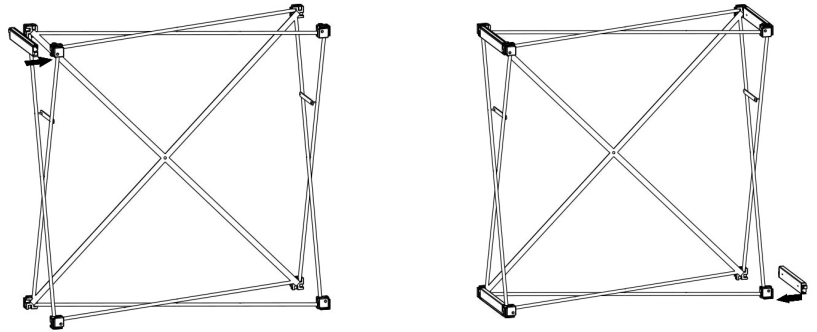
2. Lock frame in open position by rotating bars onto pins on frame.



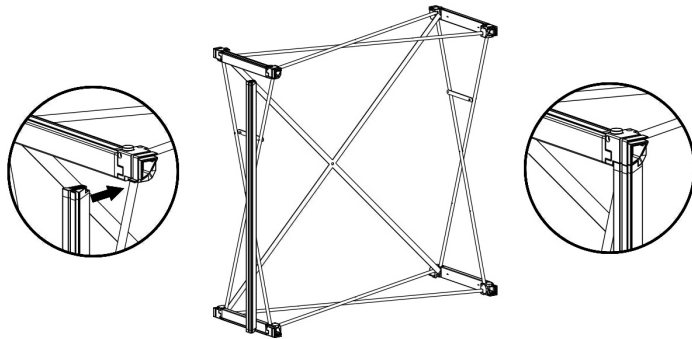
# Tradewinds Immerse™ Display System Counter Instructions

## Assembly

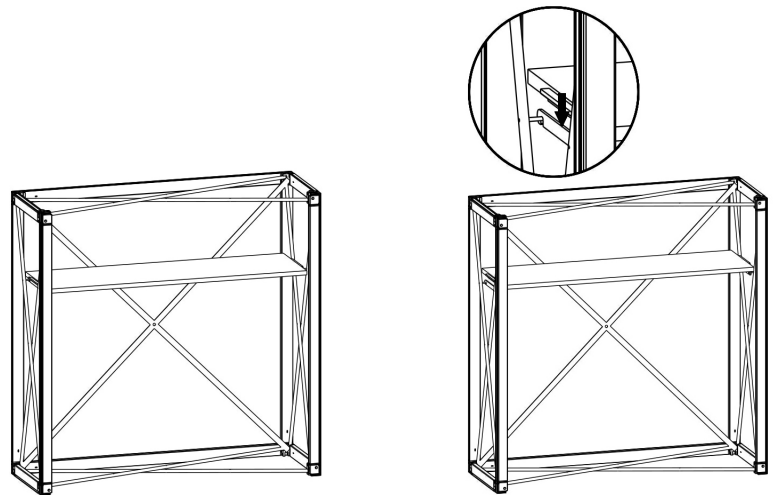
3. Attach short channel bars to corners of frame.



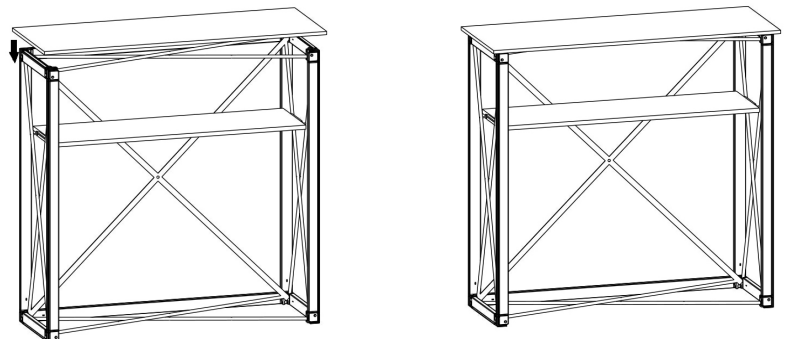
4. Attach long channel bars to front and back faces of frame. Push plastic tabs on end of channel bars into corresponding slots at corner of the frame.



5. Install internal shelf by aligning metal hook on shelf with locking bar on frame.



6. Install counter top by aligning pegs on top of frame with slots on bottom of counter top.

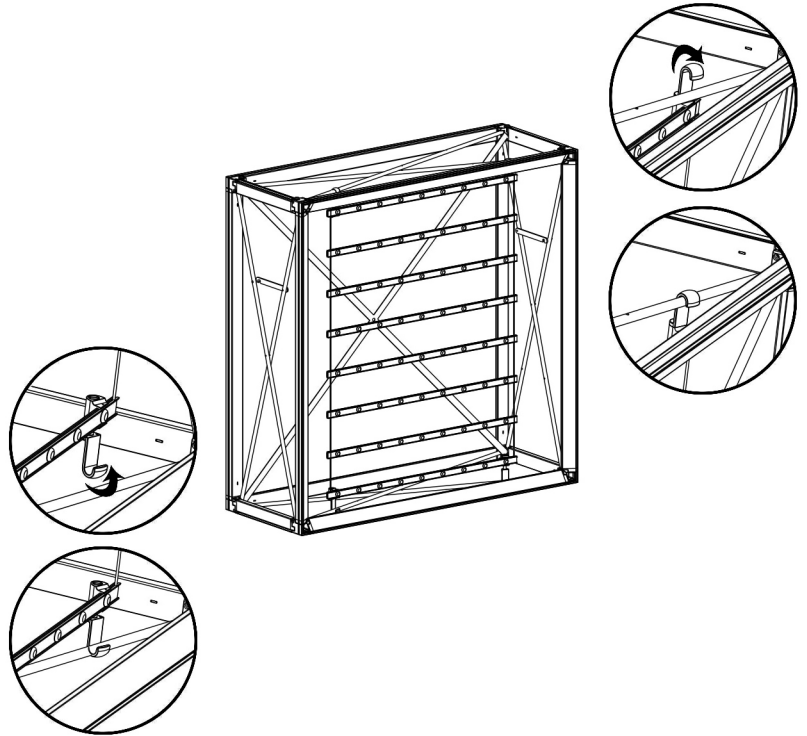


# Tradewinds Immerse™ Display System Counter Instructions

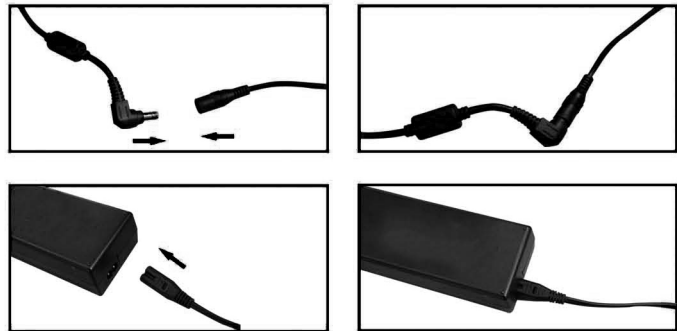
## Backlighting

1. Rotate hooks on light fixture into outward position.

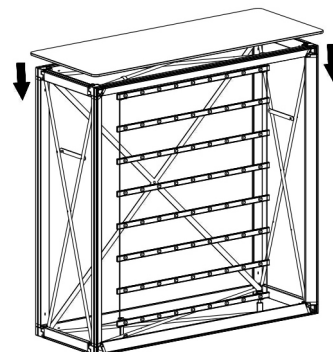
2. Install fixture by hooking all 4 hooks into the counter frame.



3. Plug light fixture into power supply.



4. Install counter top by aligning pegs on top of frame with slots on bottom of counter top.



# Tradewinds Immerse™ Display System Counter Instructions

## Fabric Installation

1. Start at the corners of the assembly. Work the FlexLock™ edge of the panel into the extrusion at each corner.
2. Press the FlexLock™ edge of the panel into the extrusion near the middle of each extrusion.
3. Work the panel into the extrusion from the corners inward and the middle outward.
4. To Dismantle, lay frame assembly on floor covered with clean drop cloth provided. To help reduce wrinkling, carefully fold fabric panel and pack into fabric panel storage bag.

