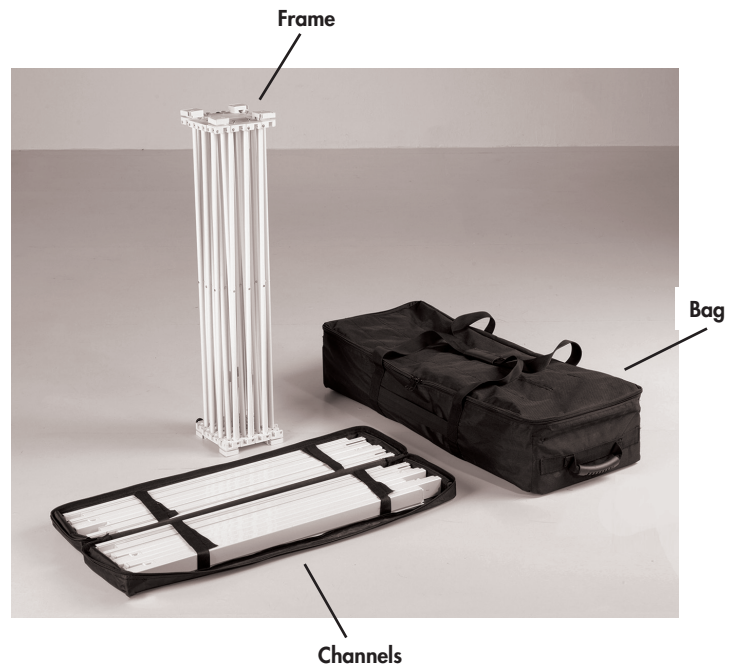


TRADEWINDS® Immerse™ Display System Setup Instructions

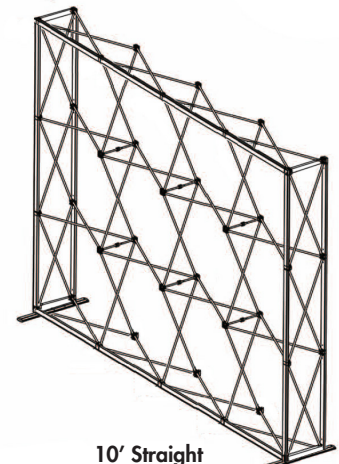
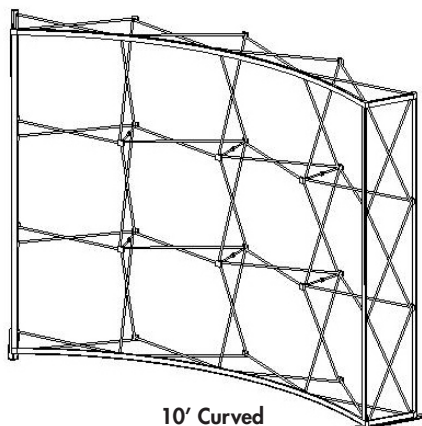
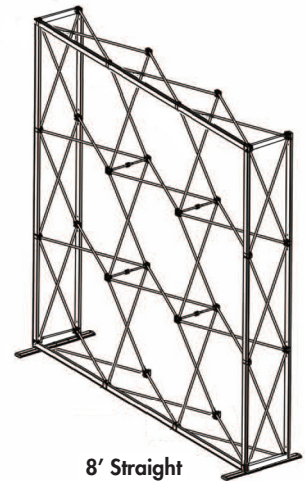
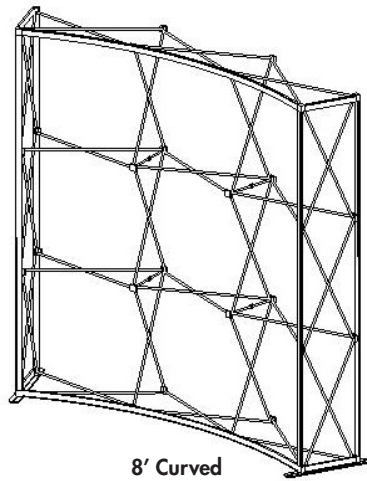
Table of Contents

Packing & Unpacking	1
Standard Frames	1
Component Identification	2
Primary Components	
Frame.....	2
Channel Bar	2
End Cap	2
LED Light	2
Standard Foot.....	2
Accessory Foot	2
Backlit Column	2
Monitor Mount.....	2
Shoe Box Shelf.....	2
Heavy Duty Shoe Box Shelf	2
Assembly	
Frame Assembly	3
Channel Bar Installation.....	3
Standard Foot Installation	4
Graphic Installation	4
Accessories	
LED Arm Light and Clip.....	5
Accessory Foot	5
Monitor Mount	6-7
Shoe Box Shelf	7-8
Back Lighting	9

Packing & Unpacking

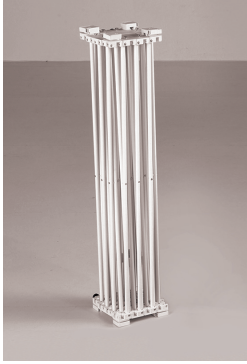


Standard Frames



TRADEWINDS® Immerse™ Display System Setup Instructions

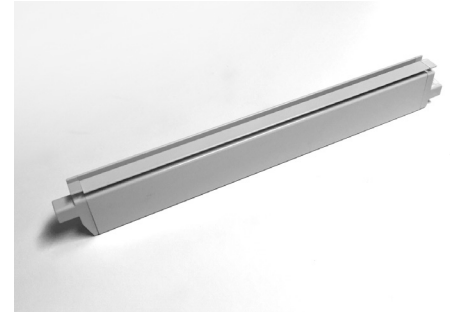
Component Identification



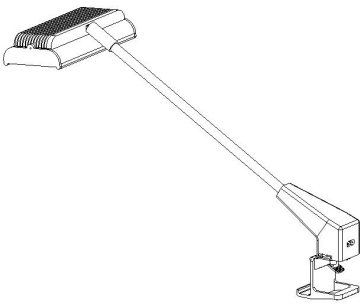
Frame



Channel Bar



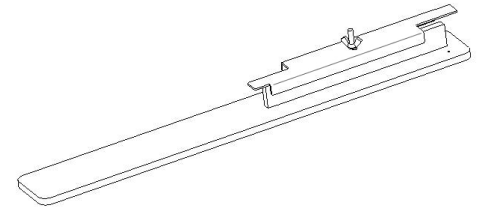
End Cap



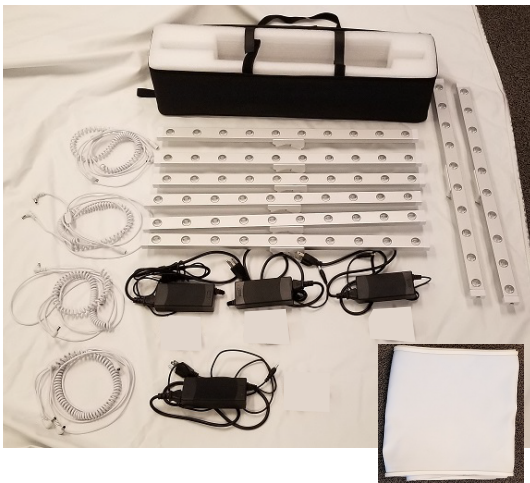
LED Light & Light Clip



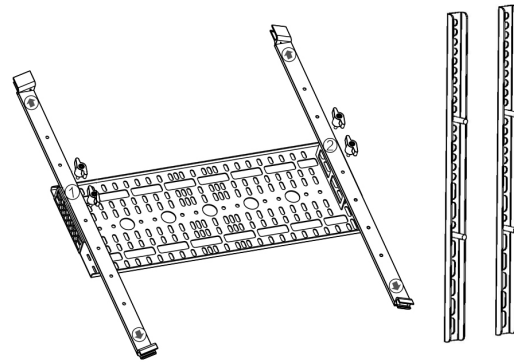
Standard Foot



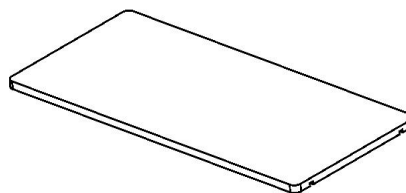
Accessory Foot



Backlighting Package



Monitor Mount



Heavy Duty Shoe Box Shelf

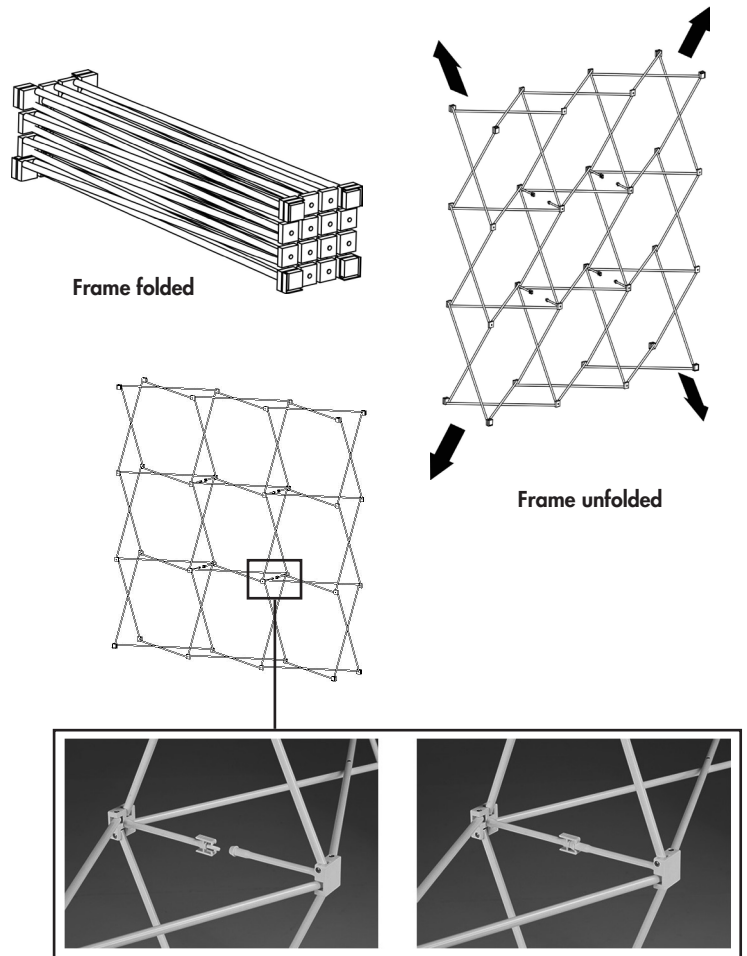


Shoe Box Shelf
w/ Standard Shelf Insert

TRADEWINDS® Immerse™ Display System Setup Instructions

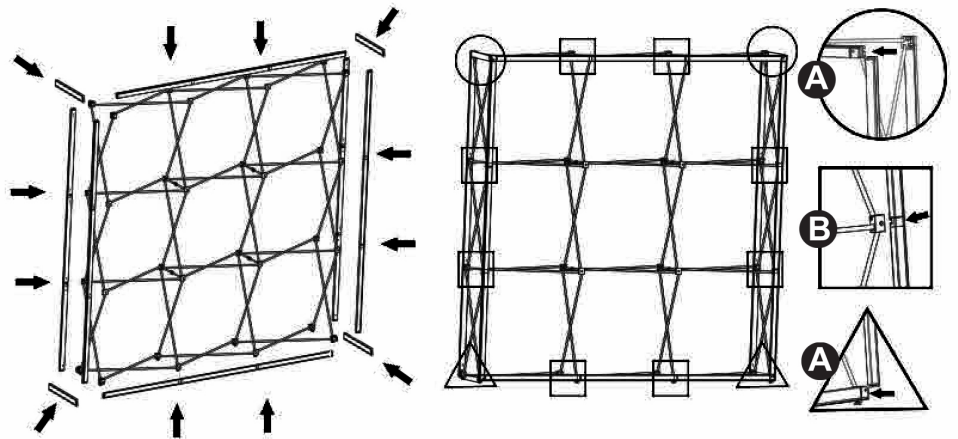
Frame Assembly

1. Expand frame by pulling outward at each corner. Black leveling knobs indicate bottom of frame.
2. Lock frame in open position by connecting adjacent pins in center of frame, black leveling knobs should be on bottom of the frame.



Channel Bar Installation

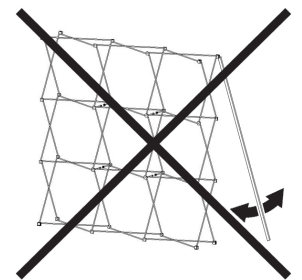
1. Identify channel bar assemblies.
2. Connect segments to create a solid, linear span.
3. Attach channel bars to frame:
 - A** Push plastic tabs on end of channel bars into corresponding slots at the corners of the frame. Ensure graphic channel is around perimeter of frame.
 - B** Index posts on frame with slots in the middle of channel bars.



Note: You may lay your frame on the ground if necessary, to install top channels.



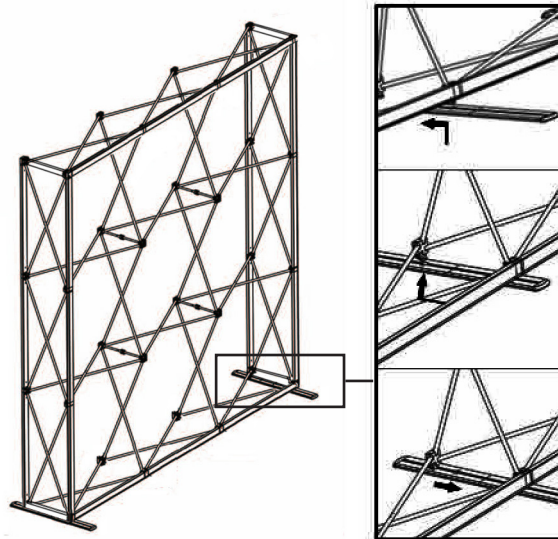
Channel bars



TRADEWINDS® Immerse™ Display System Setup Instructions

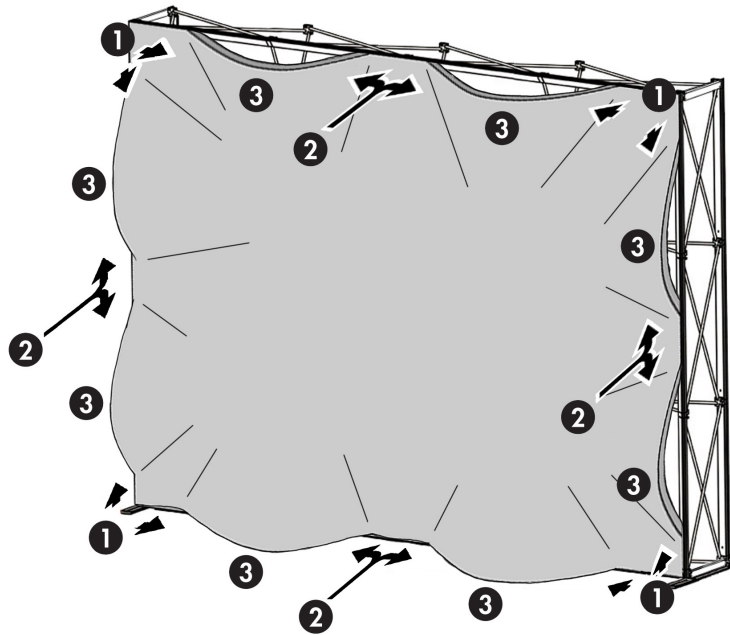
Standard Foot Installation

1. Place leveling knob into round opening on top of foot.
2. Index opening with second leveling knob by sliding captured foot into position. Insert second knob into round opening.
3. Center foot on frame so equal distances protude out the front and back.

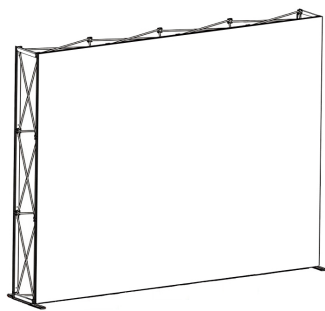


Graphic Installation

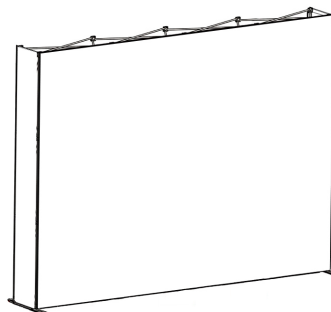
1. Start at the corners of the assembly. Work the FlexLock™ edge of the panel into the extrusion at each corner.
2. Press the FlexLock™ edge of the panel into the extrusion near the middle of each extrusion.
3. Work the panel into the extrusion from the corners inward and the middle outward.
4. To Dismantle, lay frame assembly on floor covered with clean drop cloth provided. To help reduce wrinkling, carefully fold fabric panel and pack into fabric panel storage bag.



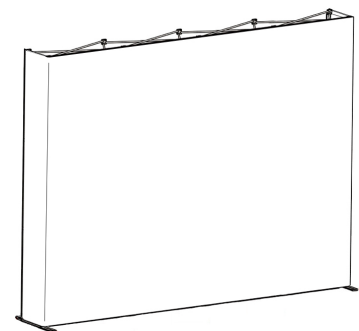
Graphic Installation Options



Front



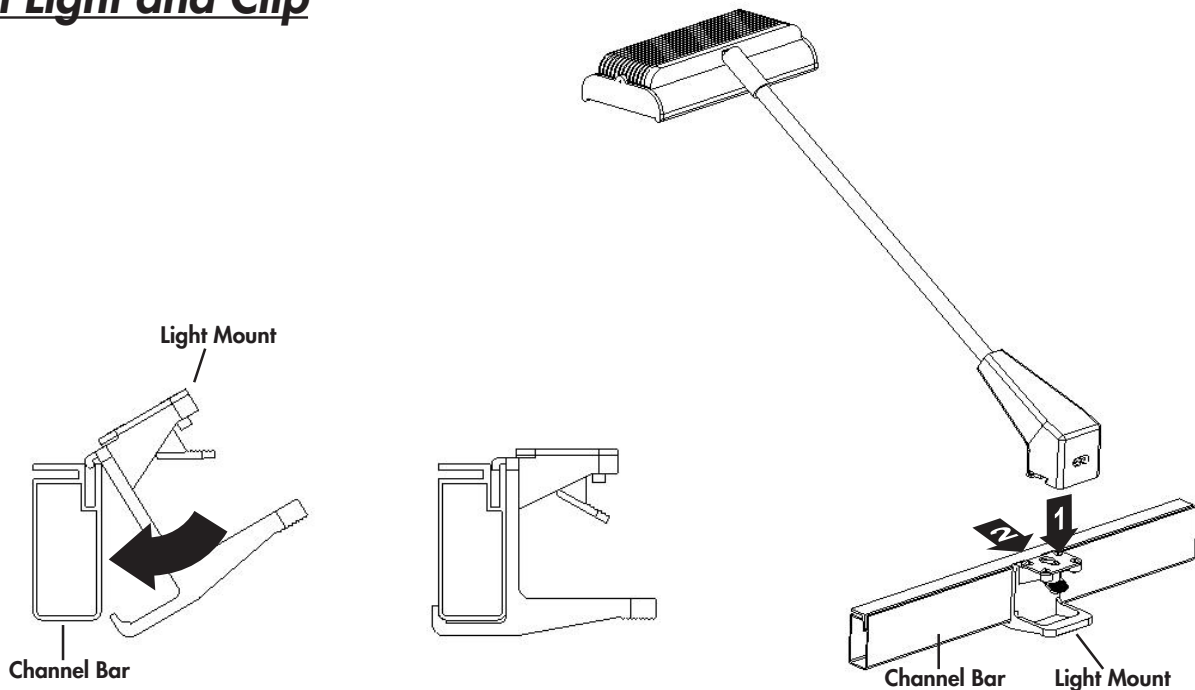
Front and Sides



Wrapped

TRADEWINDS® Immerse™ Display System Setup Instructions

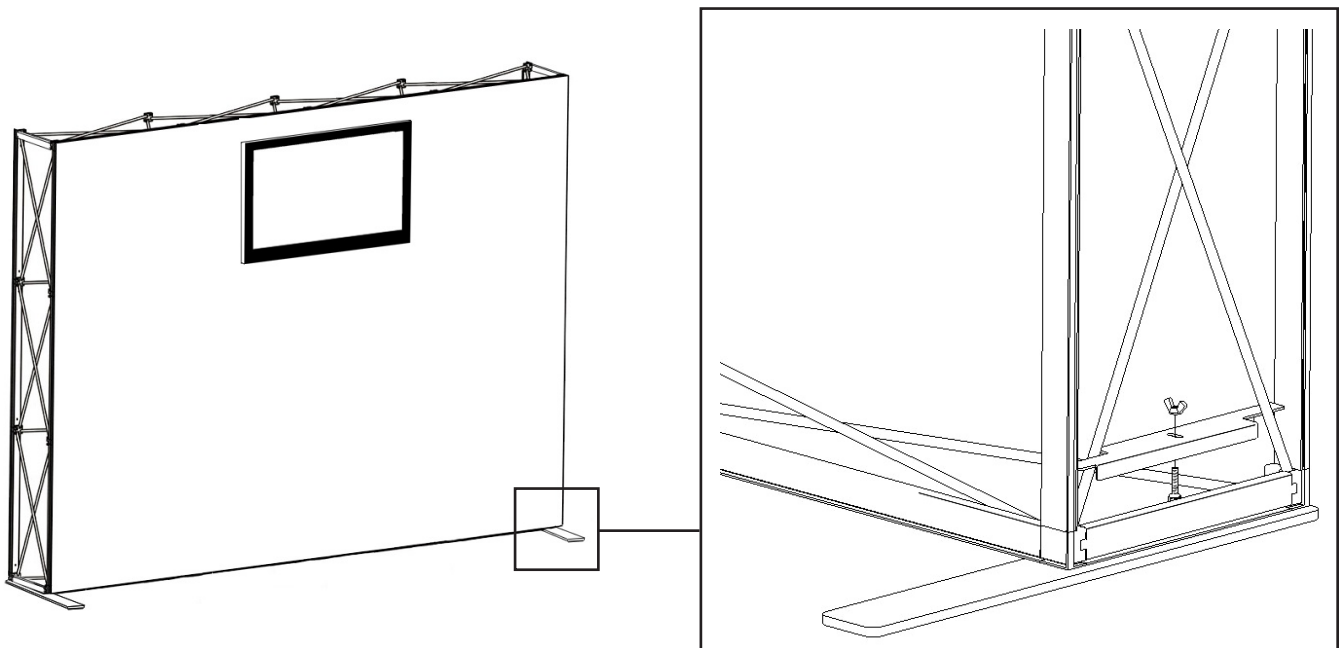
LED Arm Light and Clip



Accessory Foot

1. Disassemble your accessory foot by twisting off the wingnut, you should now have three separate pieces.
2. Slide the long base of the foot under your frame.
3. Place the top part of the foot over the endcap on the frame.
4. Twist the wingnut over the screw to ensure a tight connection between the top and bottom of the foot.
5. Repeat above steps with second foot on opposite side of frame.

Important: Note that installation of these feet must happen prior to placing any type of monitor weight to your frame.

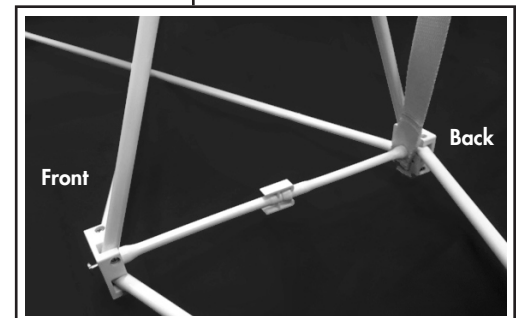
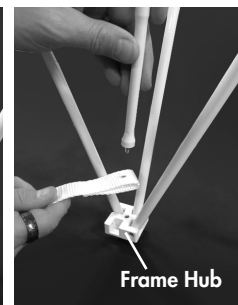
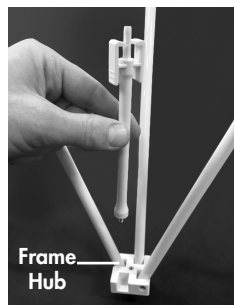
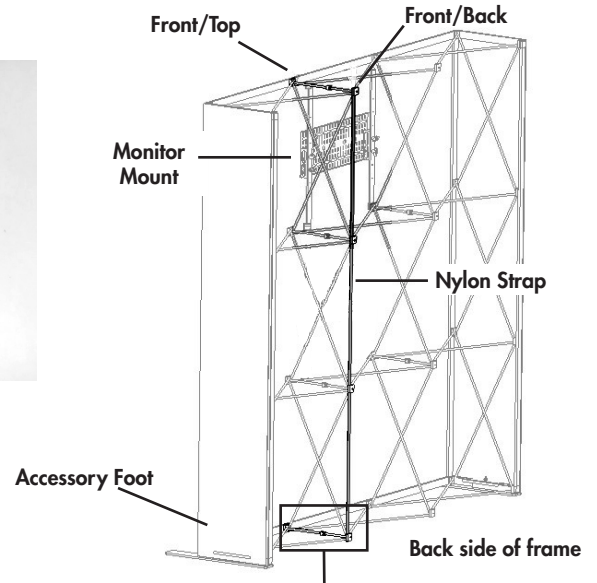
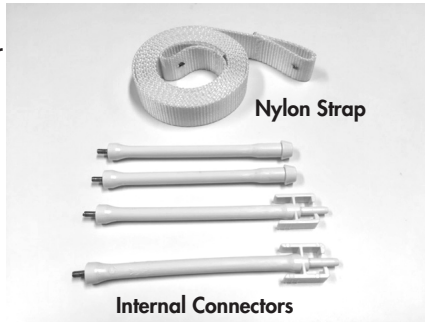


TRADEWINDS® Immerse™ Display System Setup Instructions

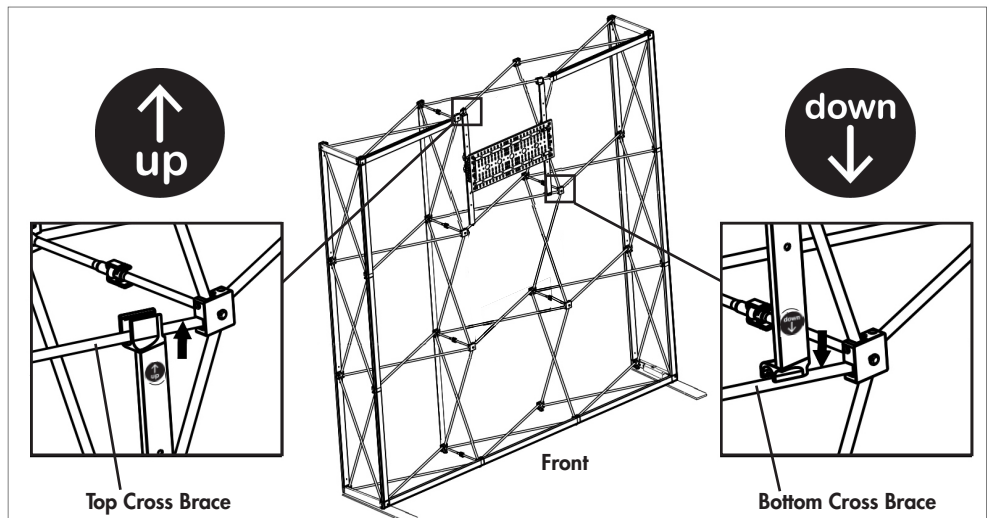
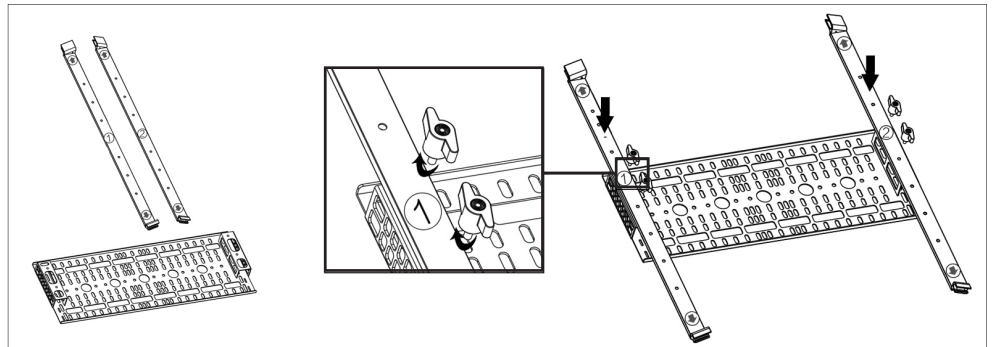
Monitor Mount

1. Identify the nylon strap and four additional internal connectors.
2. Locate the inner side of the column where you want to mount your monitor and screw one internal connector into the front/**top** frame hub.
3. On the front/**back** side of the frame, thread the screw of the opposite internal connector through the nylon strap and screw into the frame hub.
4. Repeat steps 2 and 3 on the bottom of the frame so the strap runs the full height of the frame. This is best done with the frame partially opened.

Once you have installed the monitor strap and internal connectors, you do not need to uninstall them each time you set up your frame.



5. Identify the monitor mounting plate and support hooks.
6. Match support hooks #1 & #2 with their corresponding locations labeled on the mounting plate. Attach the support hooks to the mounting plate using the provided thumb screws.
7. Hang the assembled monitor mount on the front side of the frame by first hooking to the top cross braces, and then lower the mount onto the bottom cross braces. Reference the "Up" and "Down" labels on the mount for correct hanging orientation.

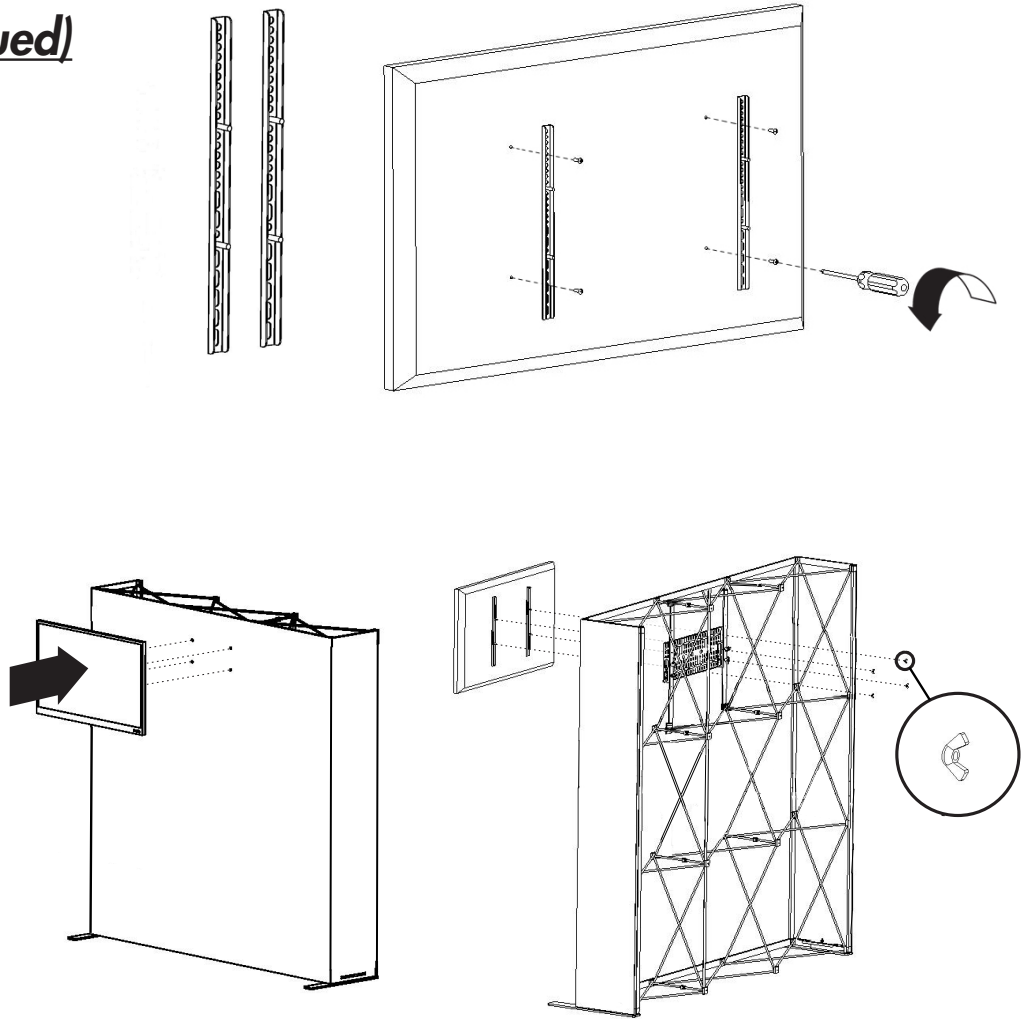


Note: Monitor mount can only be placed in a top cell location.

TRADEWINDS® Immerse™ Display System Setup Instructions

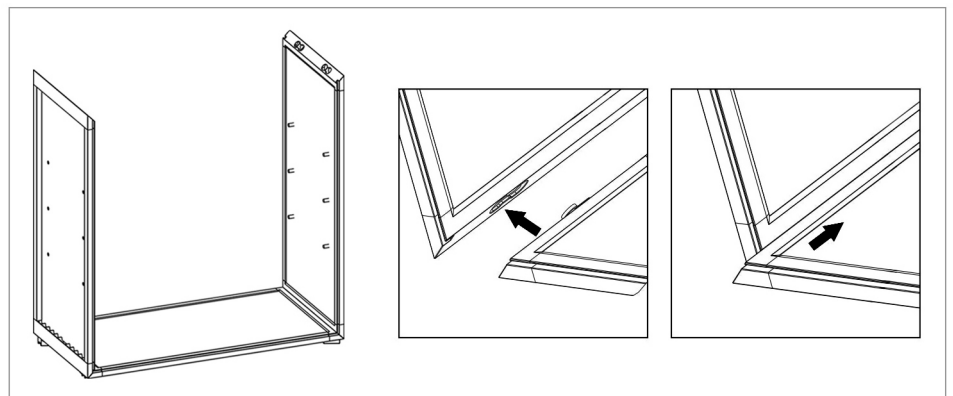
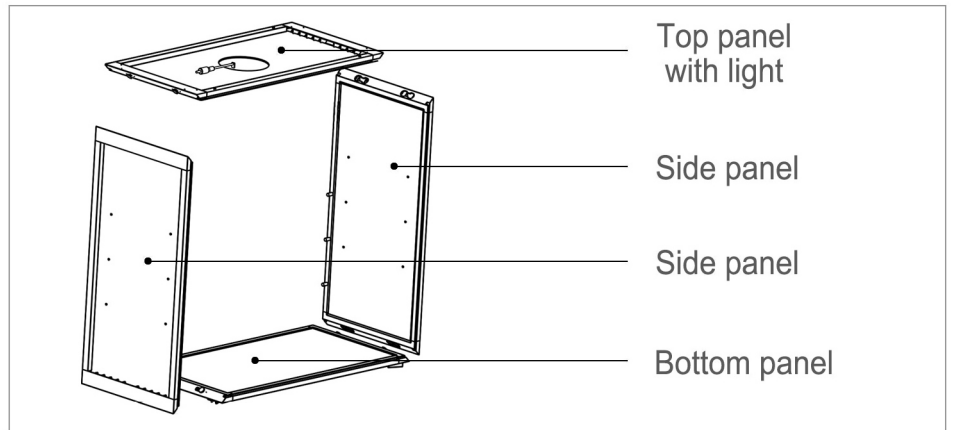
Monitor Mount (Continued)

8. Identify 2 black adaptor bars, 4 mounting screws, and 4 wing-nuts.
9. Screw adaptor bars to back side of monitor. Be sure that the threaded studs in the center of the black bars are facing out from the monitor.
10. ***BEFORE starting this step: Accessory feet MUST be added to the frame prior to placing any monitor weight on the frame. Do not exceed 30 lbs of combined weight on this frame.***
With fabric graphic already installed, align threaded studs of adaptor bars through holes in graphic and mounting plate.
11. Secure monitor to mounting plate by tightening wing nuts on threaded studs. Steps 3 & 4 are best done with 2 people.



Shoe Box Shelf

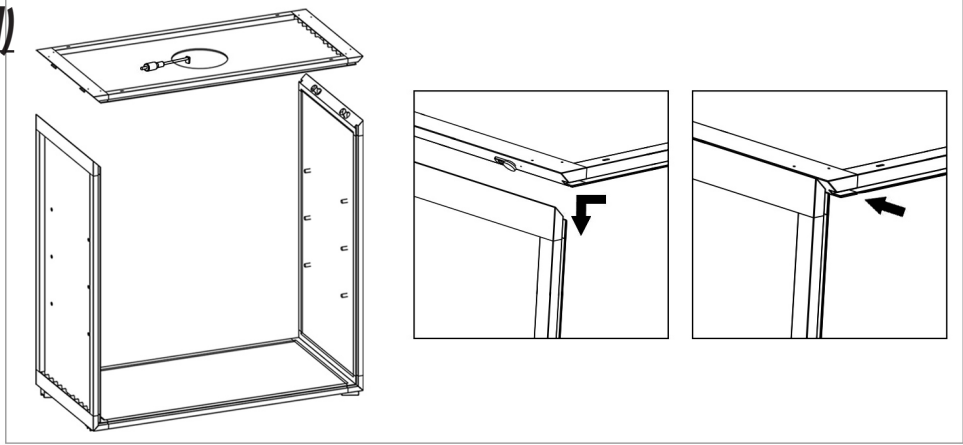
1. Identify top, side and bottom panels of shoebox shelf.
2. Attach side panels to bottom panel by inserting hubs on edge of bottom panel into corresponding grooves on side panel. Lock panels into position by aligning panels flush.



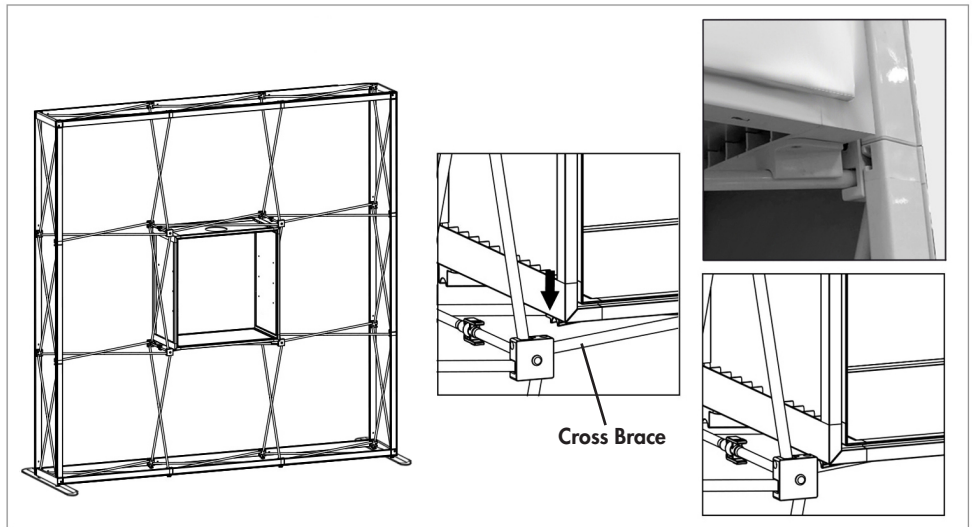
TRADEWINDS® Immerse™ Display System Setup Instructions

Shoe Box Shelf (Continued)

3. Attach side panels to top panel by inserting hubs on edge of top panel into corresponding grooves on side panel. Lock panels into position by aligning panels flush. Assembly of shoebox shelf is now complete.

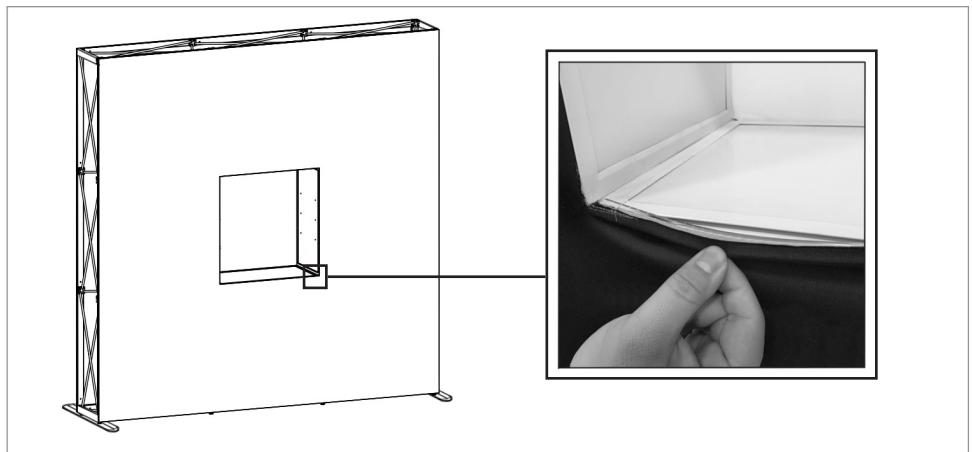


4. Stand behind your frame to insert the shoebox shelf. Ensuring the grooves on the bottom panel rest on the frame cross braces.

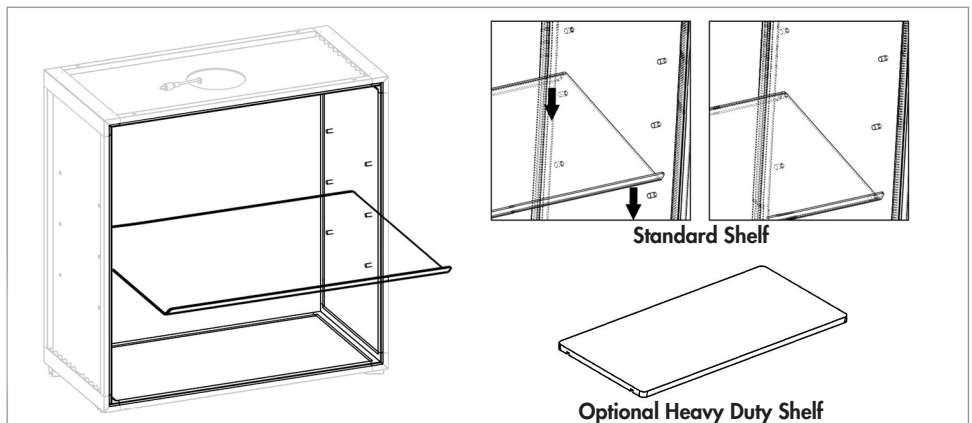


5. Install the front graphic into the channel of the shoebox shelf by turning the stitching into the channel groove. Install the optional back graphic into the channel on the back of your shoebox following the same process as the front graphic.

6. Rest your standard inset shelf into the shoebox on the metal rungs. Place up to 1 lb. of weight on this shelf.



7. If you purchased the additional heavy duty inset shelf for your shoebox shelf, line up the notches in the shelf to the metal rungs. Place up to 10 lbs of weight on this shelf. **Do not exceed 30 lbs of combined weight on this frame.**



8. Attach the lighting cord to your power supply.

TRADEWINDS® Immerse™ Display System Setup Instructions

Back Lighting

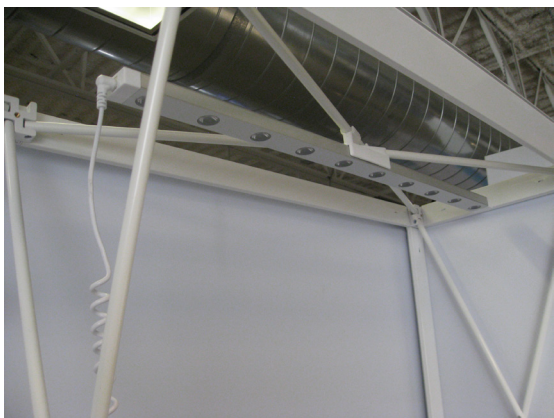


1. Identify backlight fixtures and power supplies.

2. Align lightbar where frame bars cross each other.



3. Snap lightbars onto frame, top and bottom.



4. Connect one light cord to a top light strip. Let the cord hang down and connect the light cord to the light strip beneath it.

5. Connect the light cord to the power supply.

6. Plug the cord from the power supply into an electrical outlet. Lights will automatically turn on.