

# PICTUREGLOW™

DISPLAY SYSTEM

**Skyline®**



PictureGlow™ Display System —  
Designed for Backlighting!



# Lighting Makes Your Message Memorable!

Backlit displays attract prospects with bright, impactful graphics. PictureGlow™ display system uses LED lighting to make graphics shine and offers versatility with optional shelving for products and monitor mount so you can change digital content between shows to better reach your target audience.

## Easy, Modular Installation

### Easy Installation

PictureGlow units install with ease as frame extrusions are labeled and connect using a simple T-wrench. Most lights are pre-installed on the frame.

### Concealed Graphic Connection

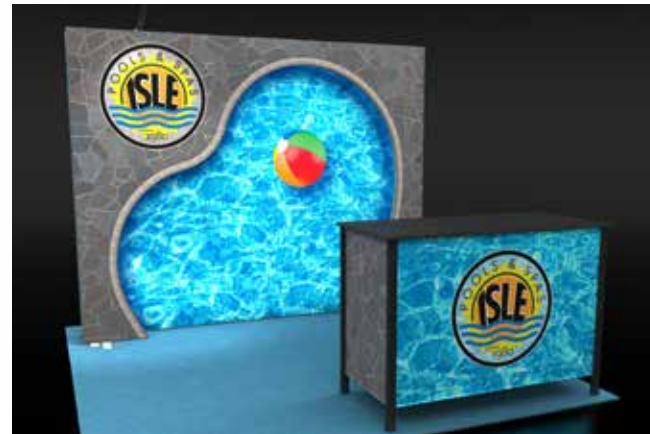
PictureGlow has a proprietary FlexLock® Silicon Edge Graphic (SEG) that quickly seals into the frame to create a seamless graphic look that glows.



## Purchase or Rent

PictureGlow displays work with other Skyline systems as part of an overall exhibit design. Tables or counters provide work surface, add storage space and allow staffers to engage prospects at the aisle.

Like other Skyline systems, PictureGlow is available for purchase or rent.



## Backlit Graphics That Pop!

Skyline fabric graphics provide the very best look for your brand and message. Graphics up to 230" (the largest PictureGlow unit) are seamless for a clean brand presentation. Single-sided graphic with reflector panel can accept accessories.

### Single-Sided or Double-Sided Graphics

PictureGlow can accommodate graphics on both sides of the unit. For single-sided units, a reflective backer can be used to really make graphics pop even more.



The superior backlit graphics of PictureGlow™ displays bring attention to your products, services and brand.

# PictureGlow™ Display System

All units are 92" tall and 4" deep to match other Skyline systems. Units come in five lengths:

- 4' (actual 46")
- 6' (actual 69")
- 8' (actual 92")
- 10' (actual 115")
- 20' (actual 230")

## Versatile For Any Exhibit Space

Use as a kiosk, as a backwall in standard 10' or 20' booth spaces, or as part of larger island exhibits.

## Shelves and Monitor Mount

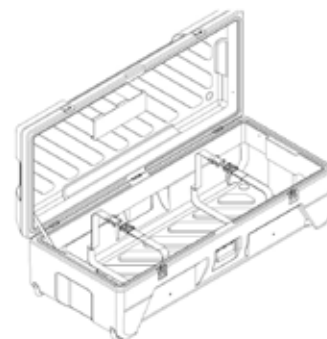
Accessories can be used on single-sided walls and require accessory poles to be mounted inside the display. If accessories are used in a double-sided wall the accessory poles will create a shadow. Shelves are available in 2' or 4' widths. Shelves and monitor mount can be moved horizontally as needed.

Accessories include:

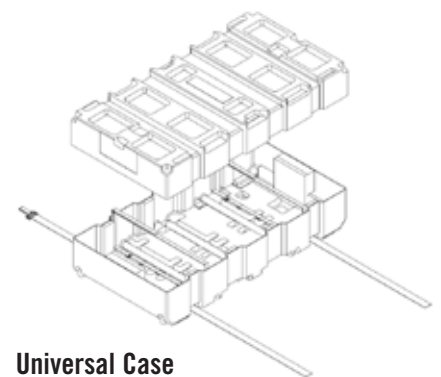
- Monitor mounts can support up to 50 lbs. ( 22.7 kg) and can be installed 65" center height from the floor
- Accessory track with plexi shelf – LED backlit
- Accessory track with plexi shelf – no lights (not rentable)

## Typical Packaging Configurations

Most frame sizes without accessories will be able to fit into either a Utility or Universal case. However, once accessories are added, two cases may be needed. A 20' frame will require two cases as will a 10' with a monitor mount and shelves.



Utility Case



Universal Case



**Skyline Exhibits**  
3355 Discovery Road  
St. Paul, Minnesota 55121

1-800-328-2725  
1-651-234-6592 International  
[www.skyline.com](http://www.skyline.com)

PictureGlow™ is a trademark of Skyline Exhibits  
FlexLock™ is a registered trademark of Skyline Exhibits

©2018 Skyline Exhibits